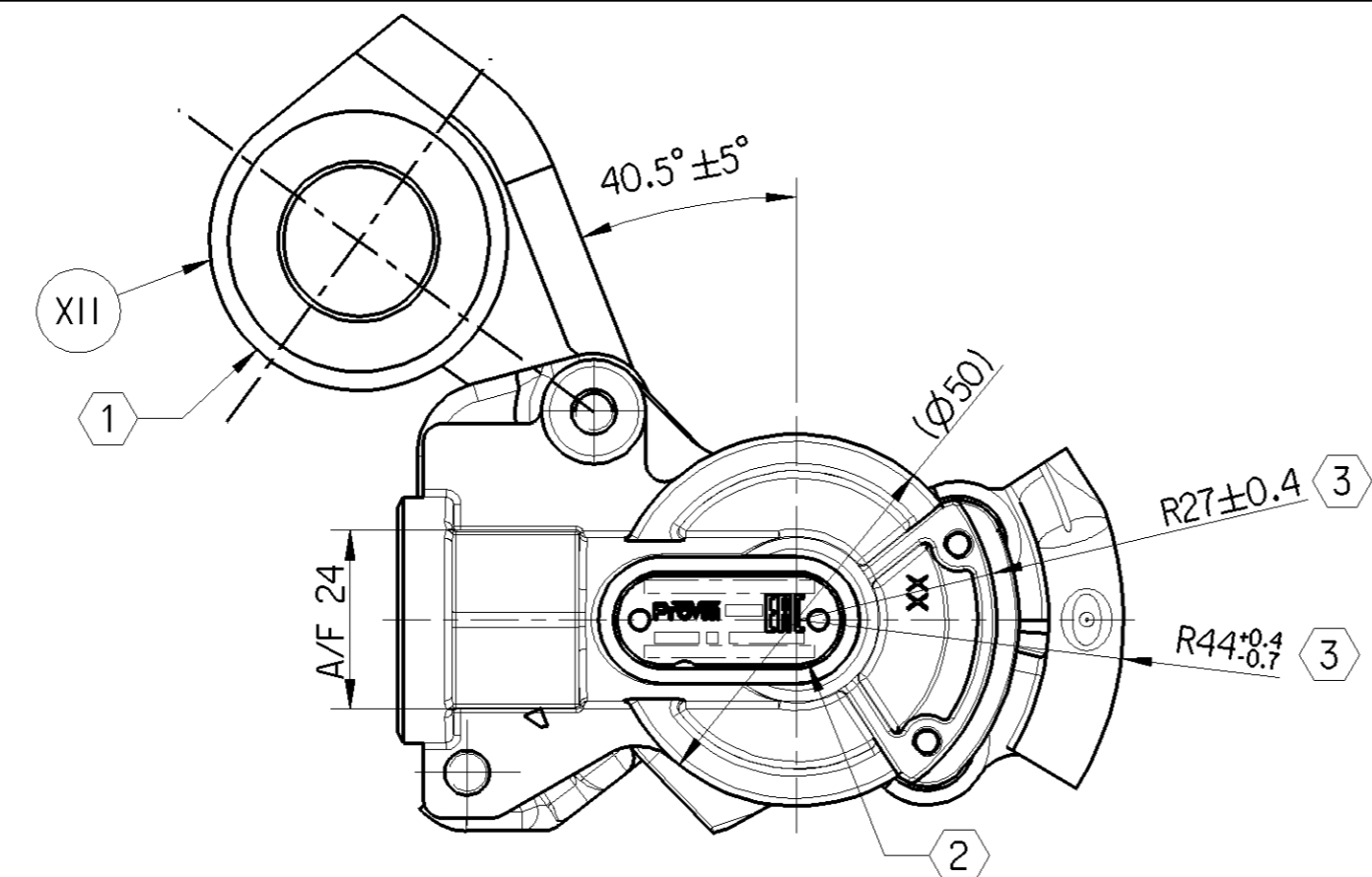
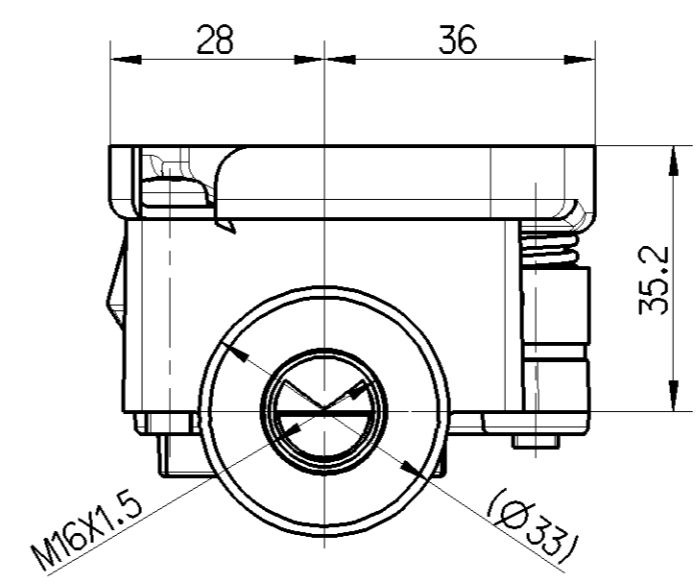
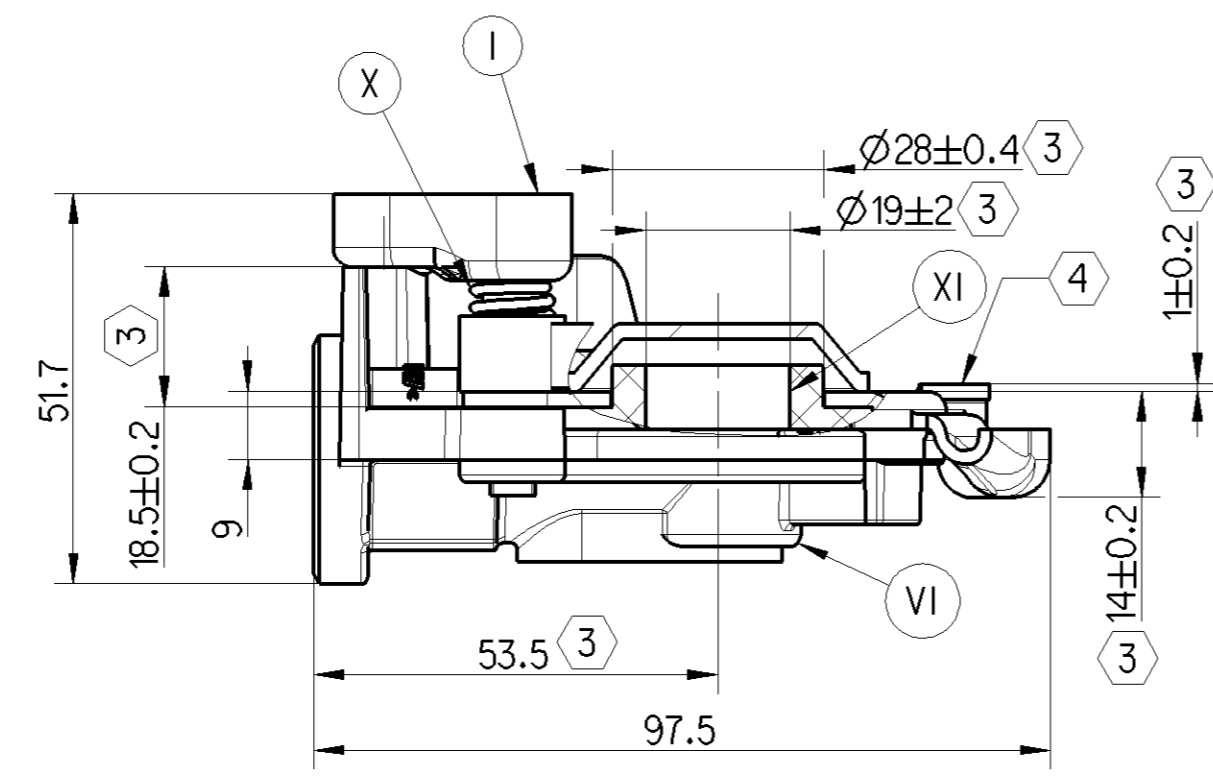


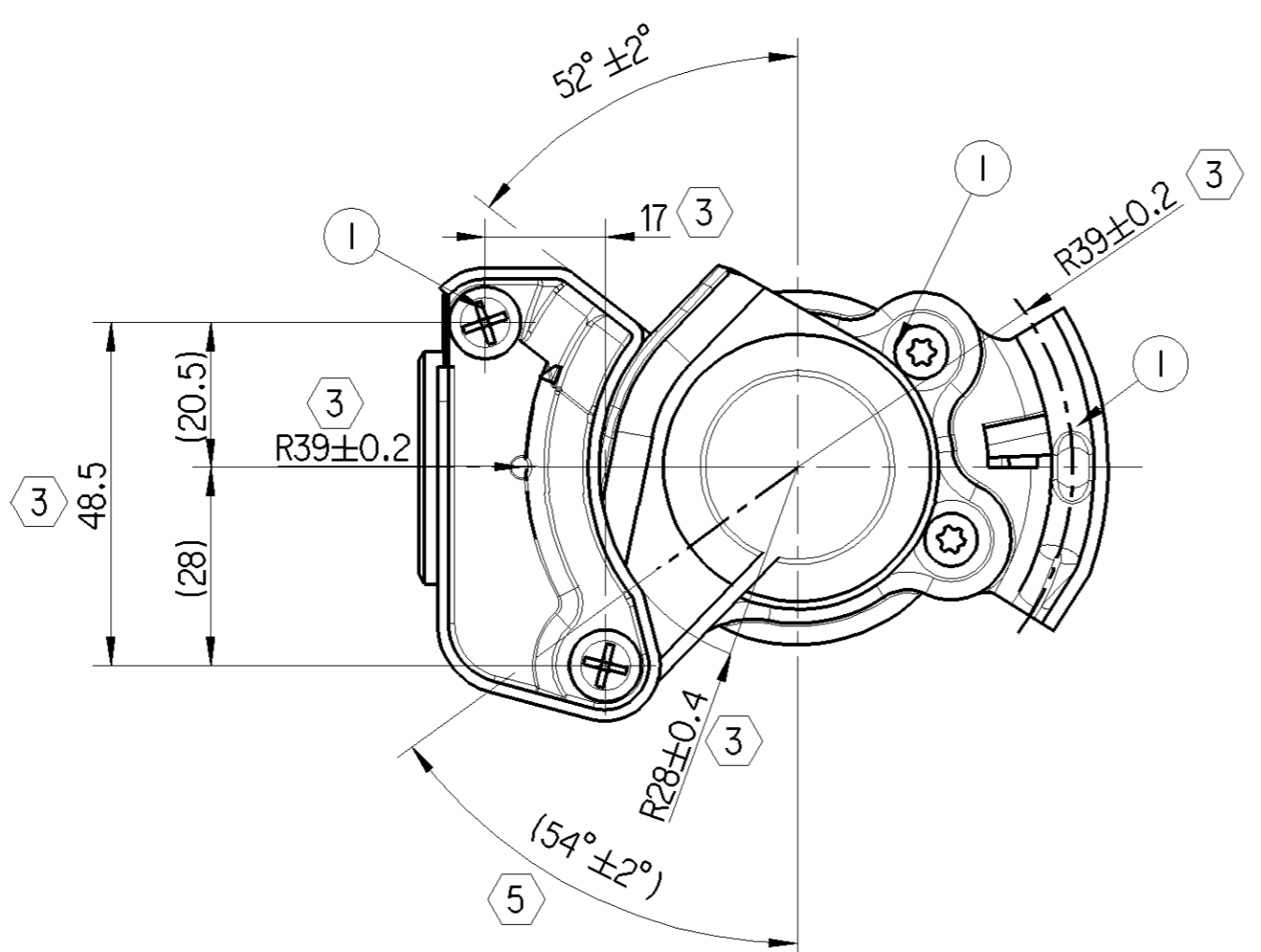
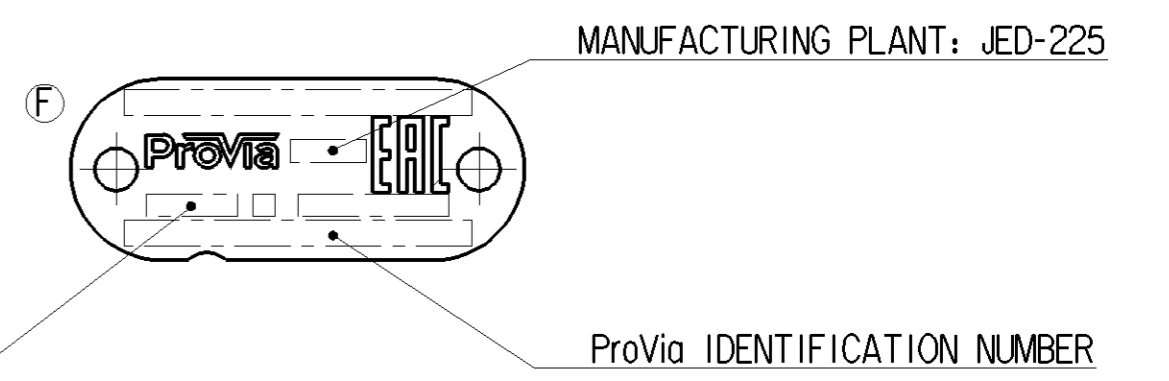
SAFETY CHARACTERISTICS	0
SIGNIFICANT CHARACTERISTICS	0



VIEW SHOWN WITH SHUTTER OPENED POSITION



NAME PLATE DETAILS



SL.No	NOTES	
1.	PRODUCT FUNCTION AND RELIABILITY	
1.1	PRODUCT SPECIFICATION No.	PS_pro2002210
1.2	WORKING MEDIUM	AIR
1.3	NORMAL WORKING PRESSURE	8.5 bar
1.4	MAXIMUM WORKING PRESSURE (TEMPORARILY)	10 bar
1.5	THERMAL RANGE OF OPERATION	-40° C TO +80° C
1.6	DESIGN COMPLIES WITH (NORM)	ISO 1728
2.	CIRCUIT DIAGRAM SYMBOL	ISO 1219
2.1	USAGE	SUPPLY LINE
2.2	TORQUE FOR HOSE CONNECTION	31 ± 3 Nm

NOTES:

- 1 SHUTTER COLOUR RED
- 2 ASSY. PART No. AND BATCH No. ARE SHOWN
- 3 DIMENSIONS WILL BE ENSURED IN CHILD PARTS ONLY.
- 4 SAFEGUARD AGAINST CROSS COUPLING
- 5 SHUTTER STOP POSITION

Non e permesso copiare, o terzi o riprodurre questo documento, ne utilizzare il contenuto o renderlo comunque noto a terzi senza autorizzazione esplicita. Ogni infrazione costituisce un evidente abuso e comportera il risarcimento dei danni subiti. E' fatta riserva di tutti i diritti derivanti da brevetti o modelli.

Toute communication ou reproduction de ce document, toute exploitation ou communication de son contenu sont interdites, sauf autorisation expresse. Tout manquement a cette regle constitue un abus evident et expose son auteur au versement de dommages et interets. Tous droits de proprieete industrielle reserves, notamment en matiere de brevets et de modesles.

Copying of this document and giving it to others and the use or communication of the contents thereof, are forbidden without express authority. Contravention of this restriction will constitute an evident abuse and result in a liability to the payment of damages. All rights are reserved in the event of the grant of patent or registration of a utility model or design. This document is the subject of copyright.

Weitergabe sowie Vervielfaltigung dieser Unterlagen, Vervielfachen ihrer Inhalte nicht gestattet, soweit nicht ausdrücklich ansonsten, zu wiederholenden, ständigen oder sonstigen Missbrauch dar und verpflichtet zu Schadensersatz. Alle Rechte hier den Fall der Patenterteilung oder Gebrauchsmuster-Eintragung vorbehalten.

PART CODE	MATERIAL	SURFACE PROTECTION
XVII	STEEL	NO TREATMENT
XVI	CAST IRON	PLATED
XV	STEEL	ZINC-IRON PLATED
XIV	CAST IRON	NO TREATMENT
XIII	ZINC ALLOY	ANODISED
XII	PLASTIC	NO TREATMENT
XI	RUBBER	NO TREATMENT
X	STAINLESS STEEL	NO TREATMENT
IX	BRASS	NO TREATMENT
VIII	ZINC ALLOY	CHROMATED
VII	ALUMINIUM ALLOY	ANODISED
VI	ALUMINIUM ALLOY	CHROMATED
V	CAST IRON	PAINTED
IV	STEEL	POWDER COATED
III	STEEL	PAINTED
II	STEEL	PHOSPHATED
I	STEEL	ZINC PLATED

General Specification: JED-334-1, Size ISO 14405 LP		Copyright WABCO®		ProVia	
Further Technical Data: Product Specification PRO2002210		Date	Signature		
Doc. Code: 035	Sheet: 1 To 4	2018-09-19	Saravanan	HOSE COUPLING (TRAILER-SUPPLY)	
General Tolerances JED-261		Checked		2018-09-21 Aswinkumar	
Range of Nominal Dimensions (± mm)		Expert		Suresh	
Class	1) ≤ 50 > 50 > 180 > 180 > 400 > 400	Mass	Scale	Material No.	
Fine	±0.1	0.217	1:1	Date of first issue: 2015-04-24	
Medium	±0.2	±3°	(2:1)	Doc.Code Language Sheet	
Coarse	±0.3			005 EN 1/1	
Tapped Holes acc. JED-152		Size	CAD System	Replacement for	
1) Tolerance Class Applied Crossmarked		A 2	CREO	ECN-No.	Revision
				177205	1
				Techn. Resp.	F
				5710_AM	