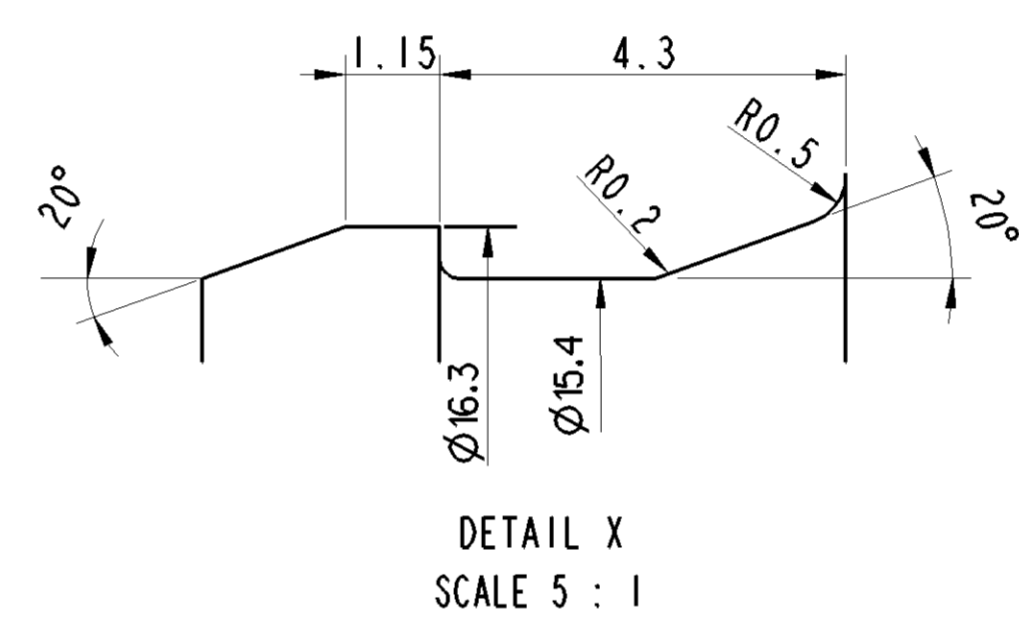
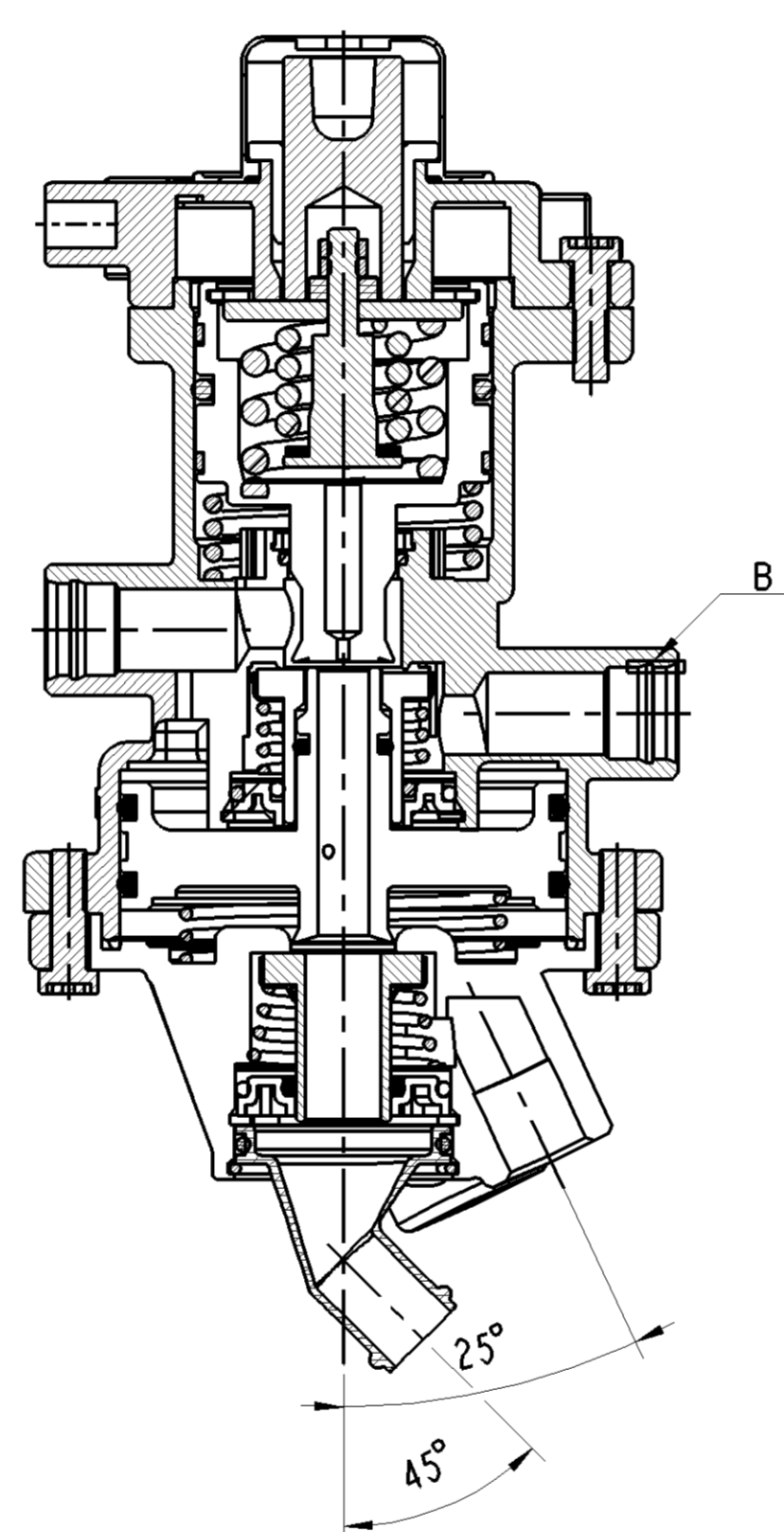
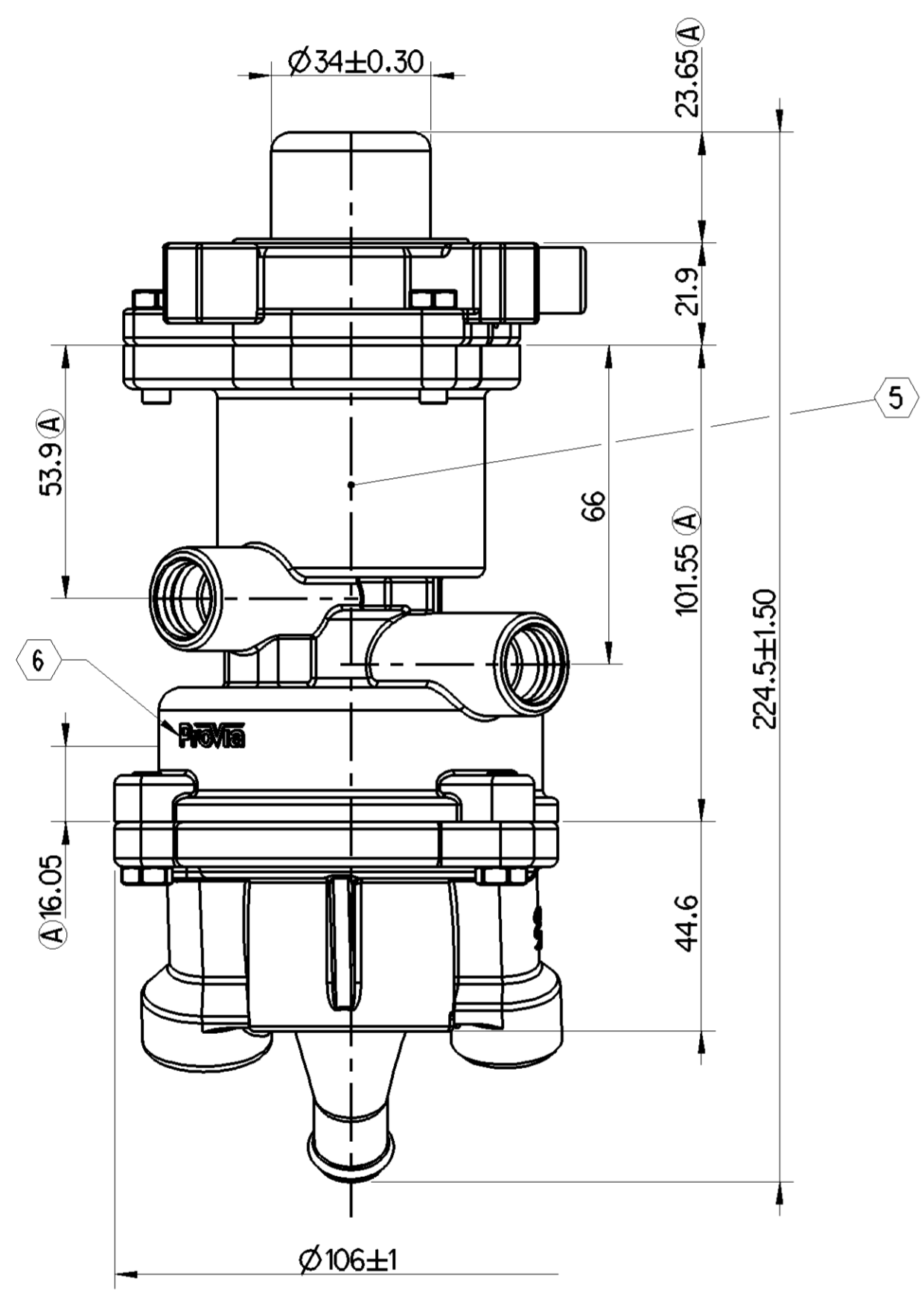
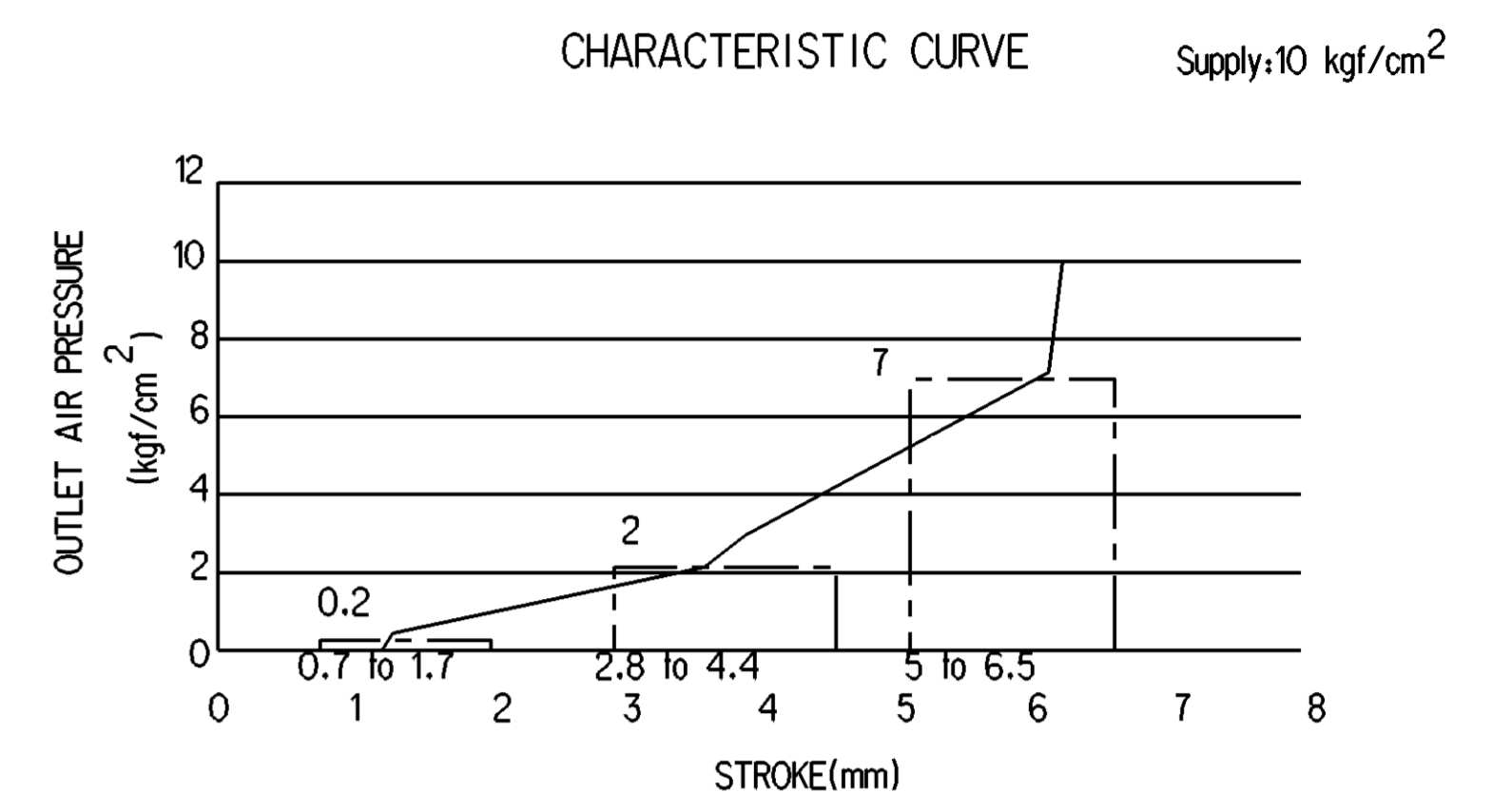
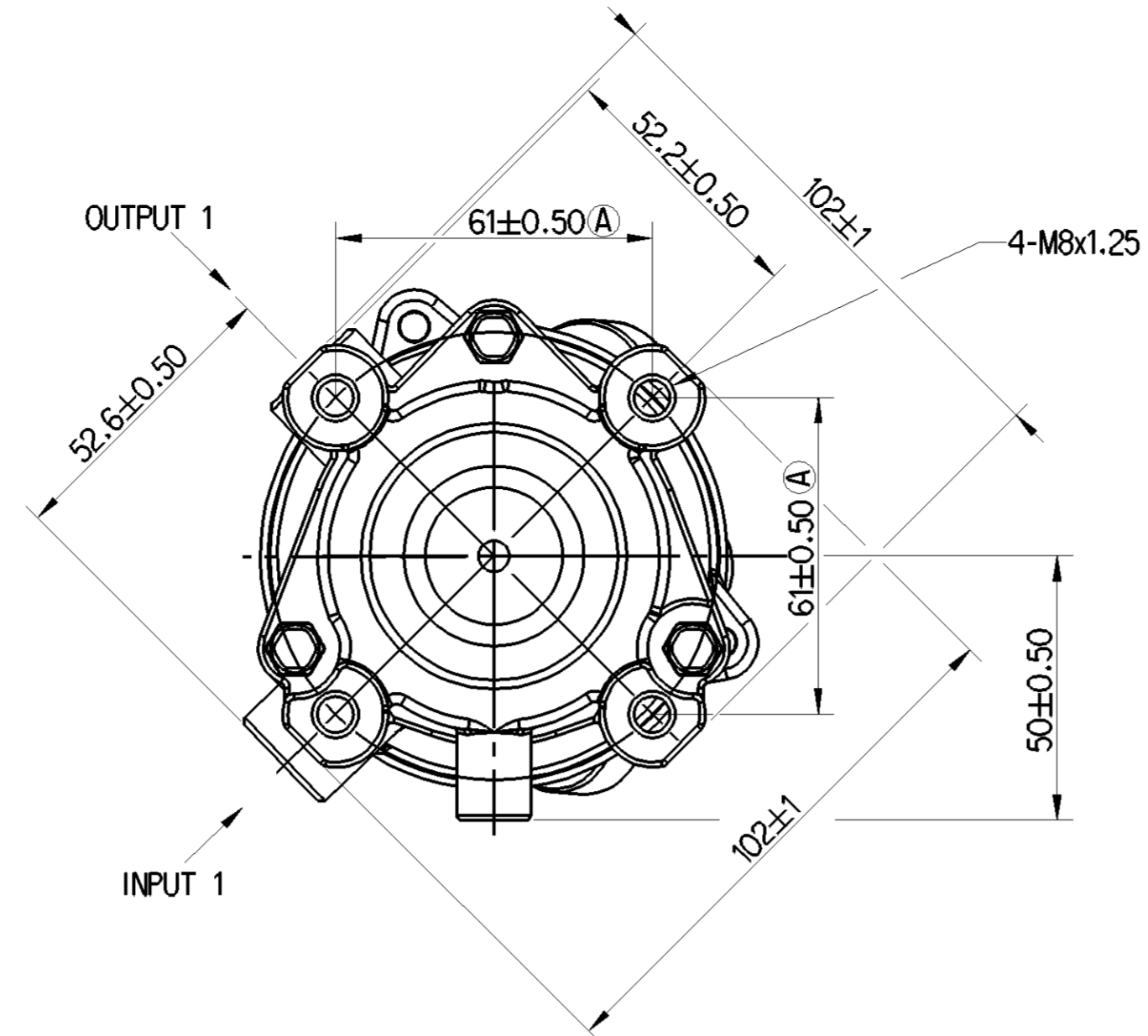
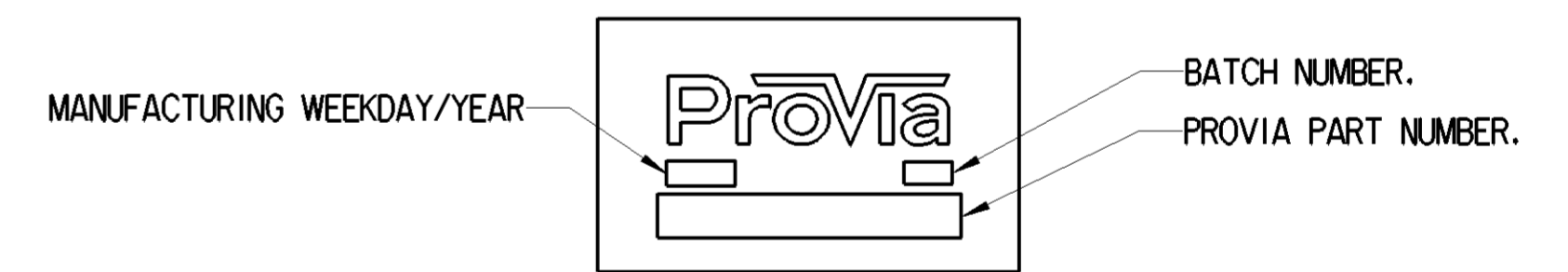


SAFETY CHARACTERISTICS	0
SIGNIFICANT CHARACTERISTICS	0



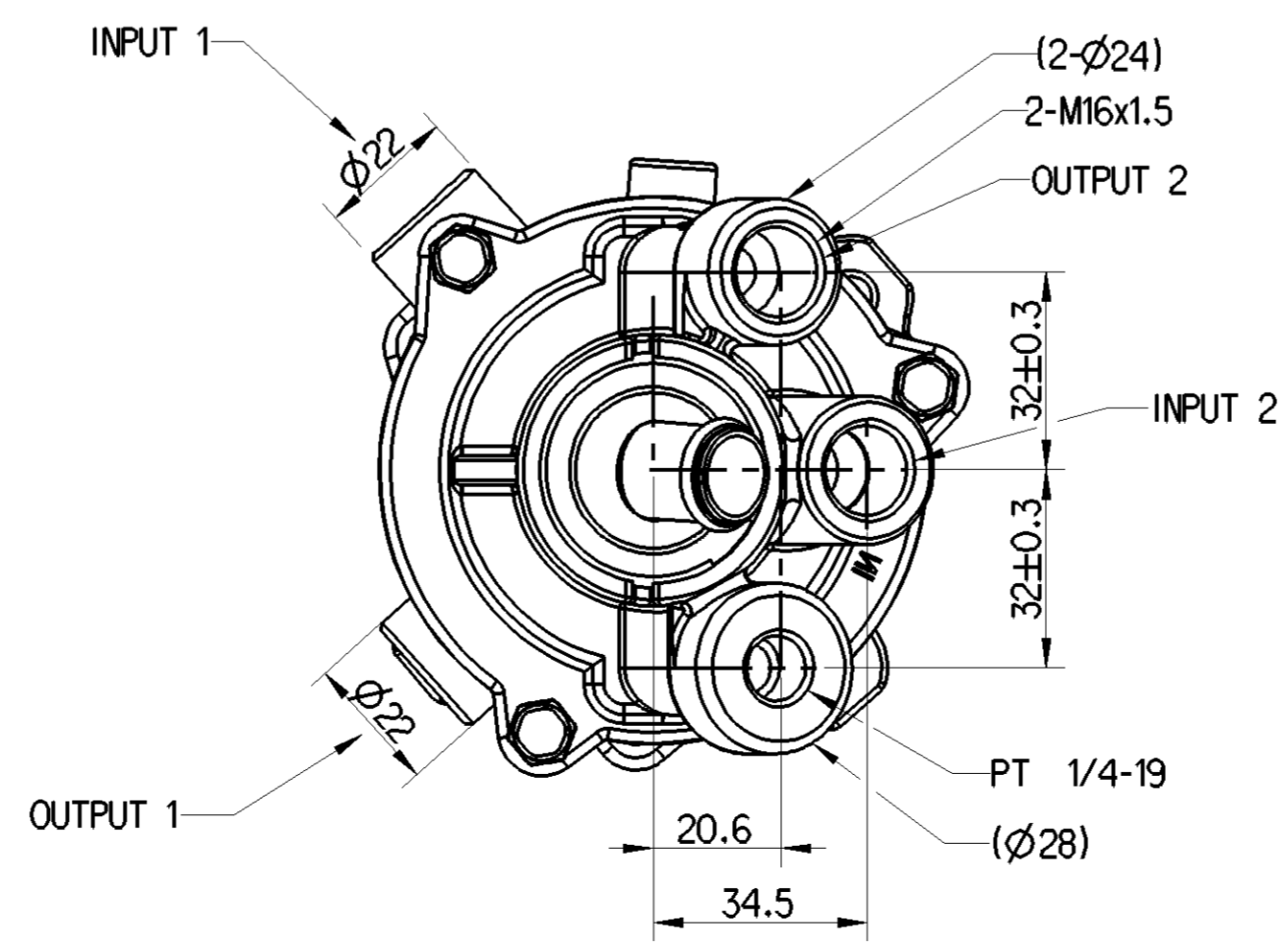
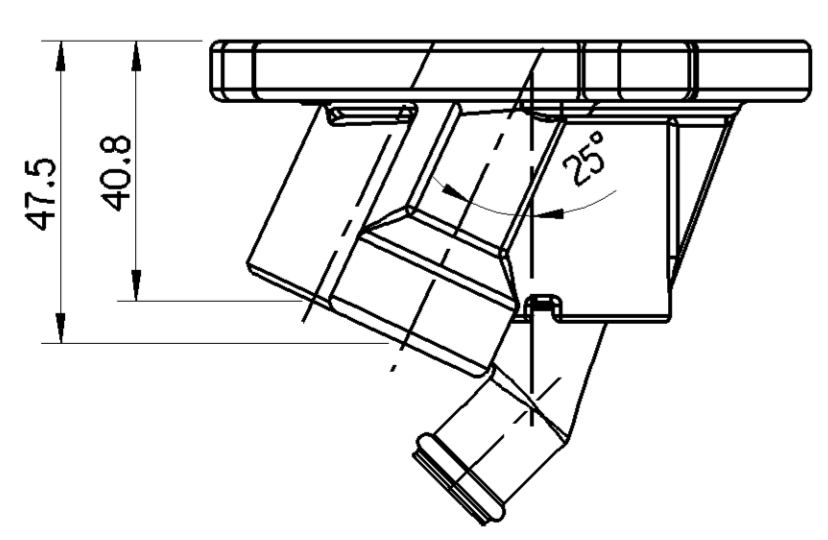
- 1.) AIR LEAK TEST (NORMAL TEMPERATURE)
 - 1-1.STATIC : OUT AIR PRESSURE 7.0 kgf/cm²
LEAKAGE : WITHIN 3 sec. < 30pa
 - 1-2. DYNAMIC : OUT AIR PRESSURE 7.0 kgf/cm²
LEAKAGE : WITHIN 3 sec. < 30pa
- 2.) TIGHTENING TORQUE
 - 2-1. NO.25 M6 BOLT : 5.9 ~7.4 N·m
- 3.) MAXIMUM SUPPLY PRESSURE : 10 kgf/cm²
- 4.) TEMPERATURE RANGE -10° TO +80°C

5) STICKER PASTING LOCATON



6) LOGO SIZE : 20 x 5

FOR PROVIA LOGO SPECIFICATION REFER JED-868



General Specifications: JED-334-1 - Size ISO 14405 LP		Copyright WABCO®	
Further Technical Data: PRO 315 001 0		Date: 2018-10-23	Signature: Suresh Gayakwad
Doc. Code: 035	Sheet: 01	Of: 06	Checked: Aswinkumar
General Tolerances JED-261		Expert: Suresh Gayakwad	
Range of Nominal Dimensions (± mm)			
Class	1)	≤ 50	> 50 < 180
		≤ 180	≤ 400 > 400
Fine		0.5	1.0 1.5 2.0
Medium	X	1.0	2.0 3.0 4.0
Coarse		2.0	3.5 5.0 6.5
Tapped Holes acc.			
1) Tolerance Class Applied Crossmarked			
Mass	Scale	Material No.	
1.42	1:1	PRO 315 001 0	
Size	CAD System	Date of first issue: 2018-07-18	Doc. Code Language Sheet
A 1	CREO	005	EN 1/1
EDU.No. 178957		Revision: 6x	Techn. Resp. 5180_AM

Non è permesso copiare o riprodurre questo documento, né utilizzare il contenuto a fini commerciali, senza permesso scritto dalla WABCO. È vietata espressamente la ristampa o l'uso non autorizzato. Toute réimpression ou utilisation non autorisée sans la permission écrite de la WABCO est formellement interdite. Toute réimpression ou utilisation non autorisée sans la permission écrite de la WABCO est formellement interdite.