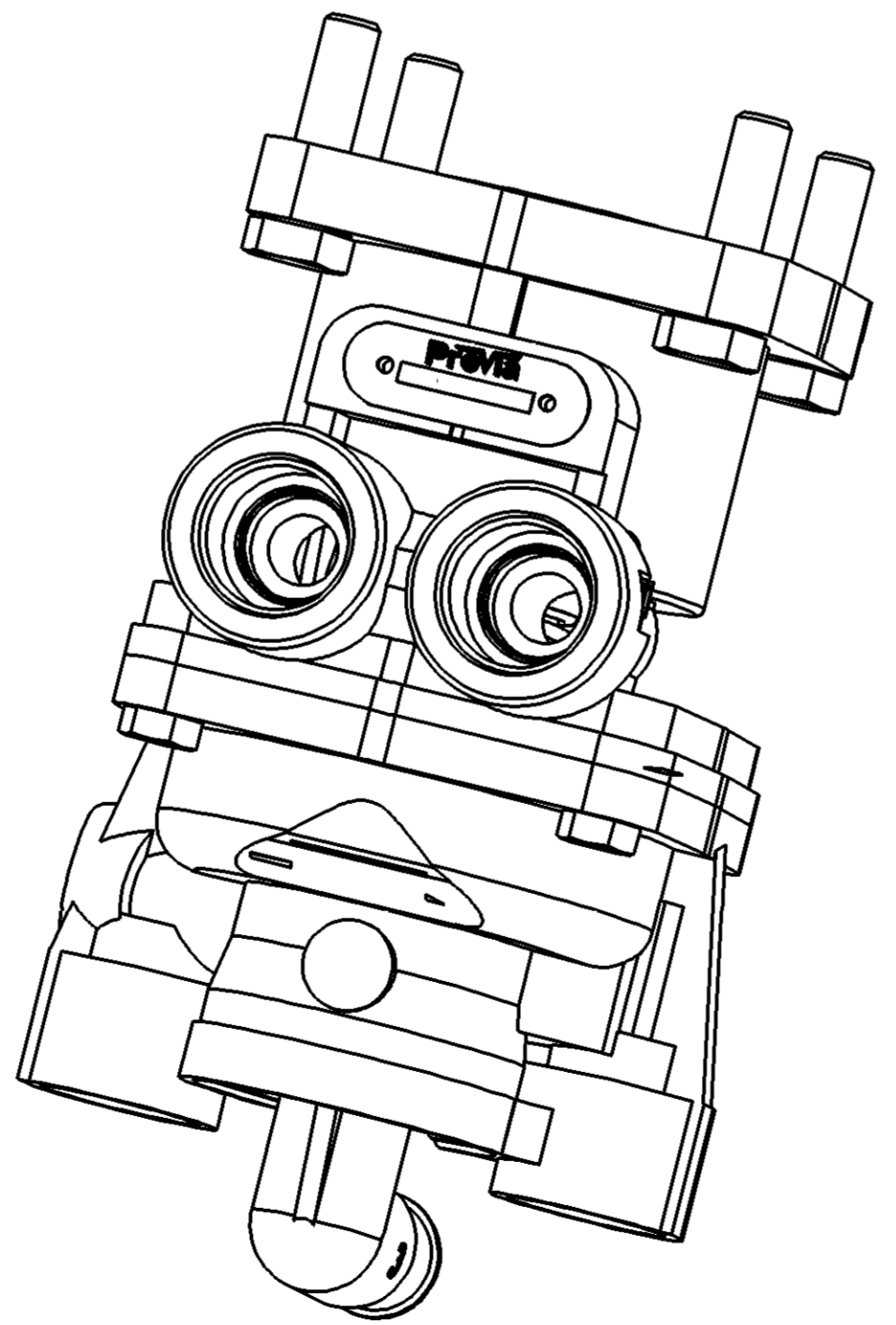
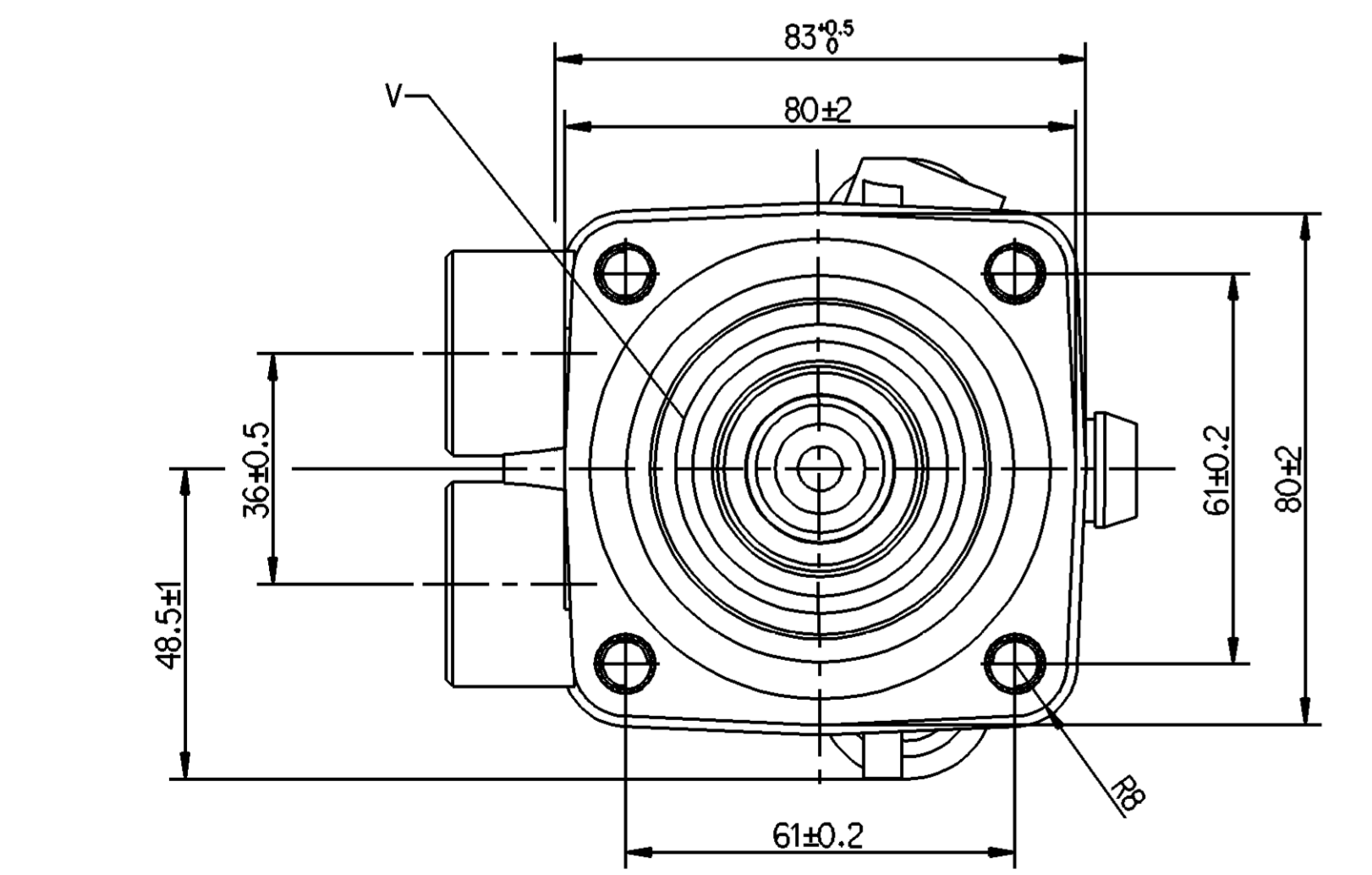
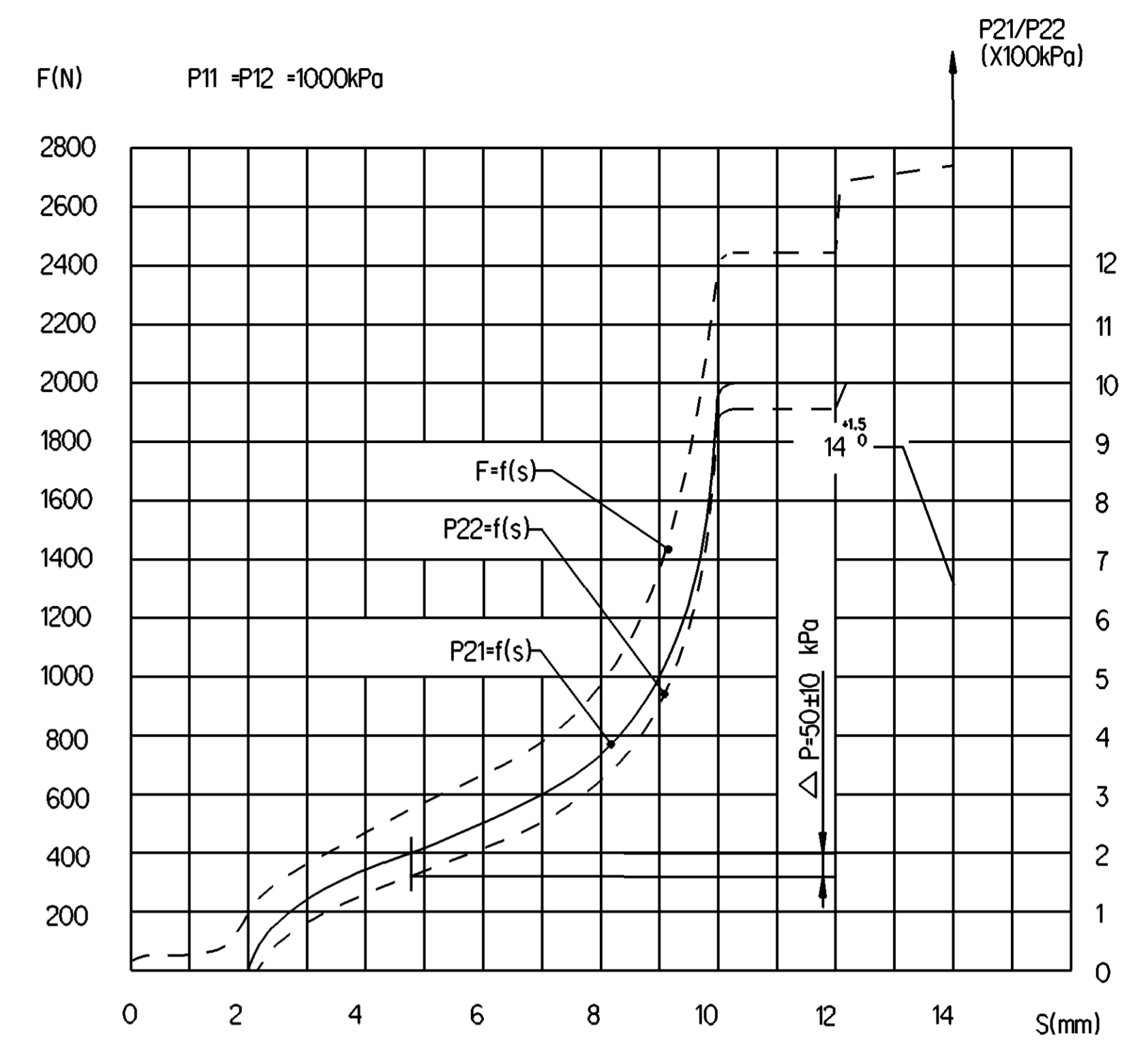
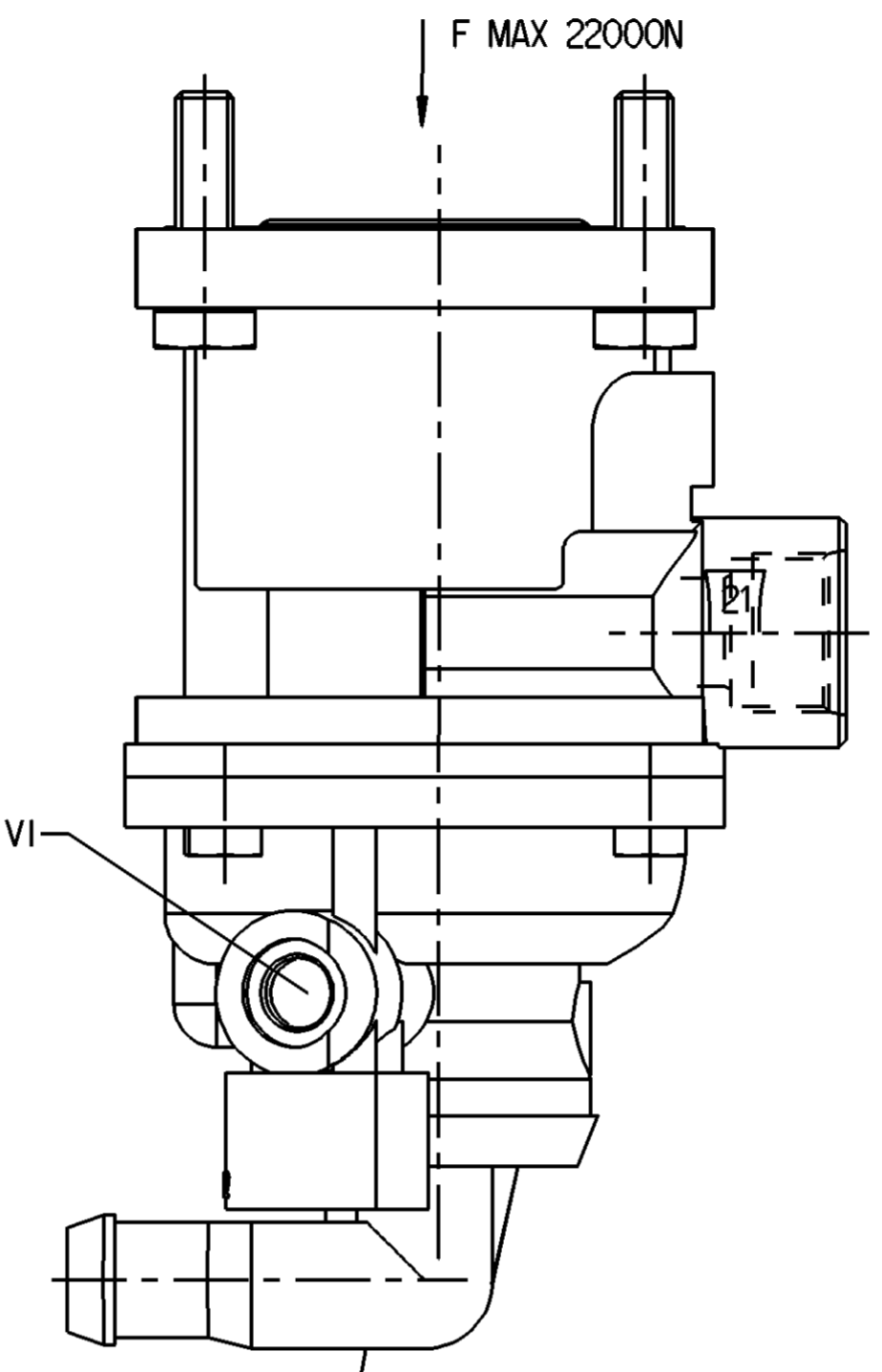
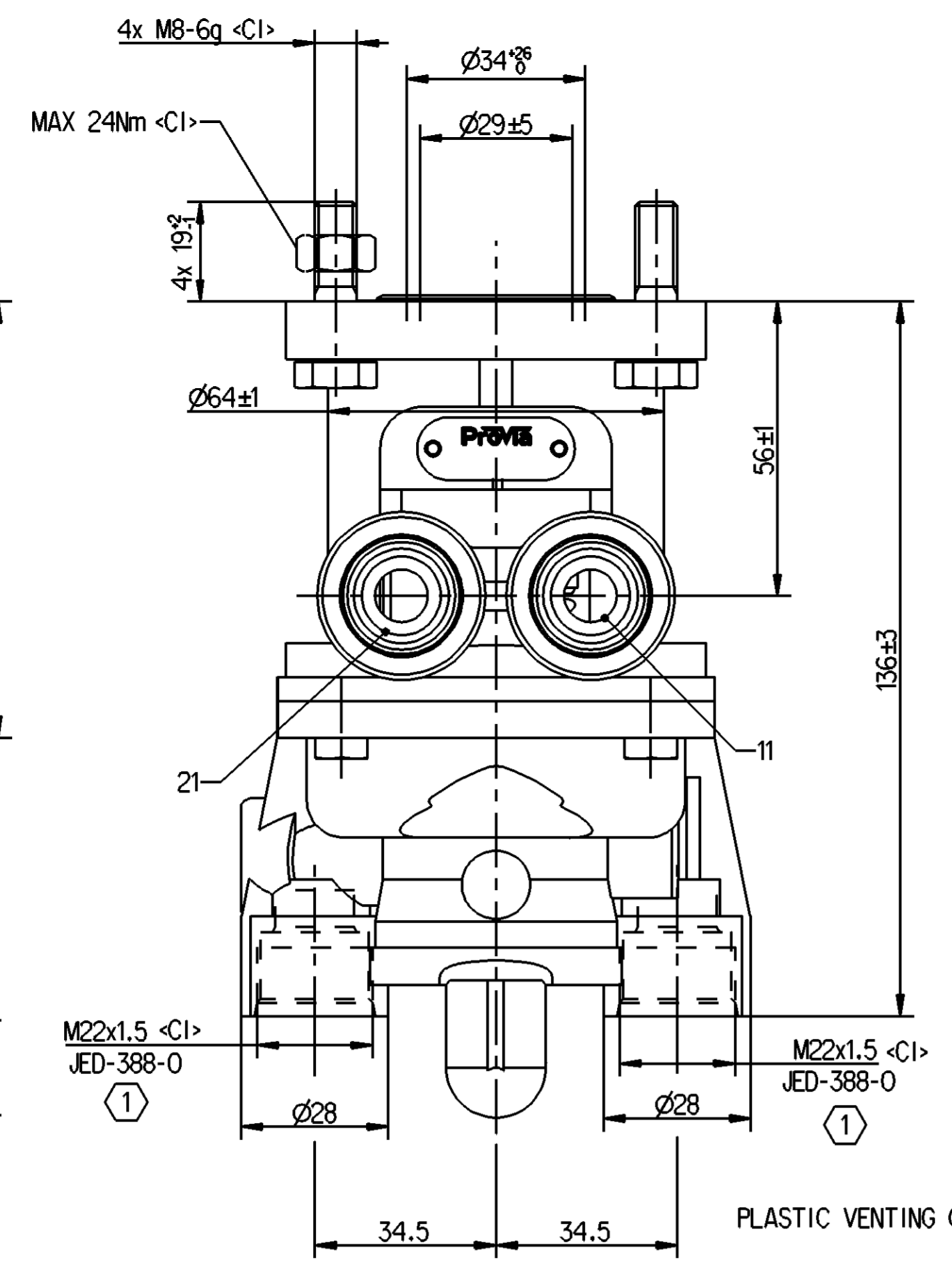
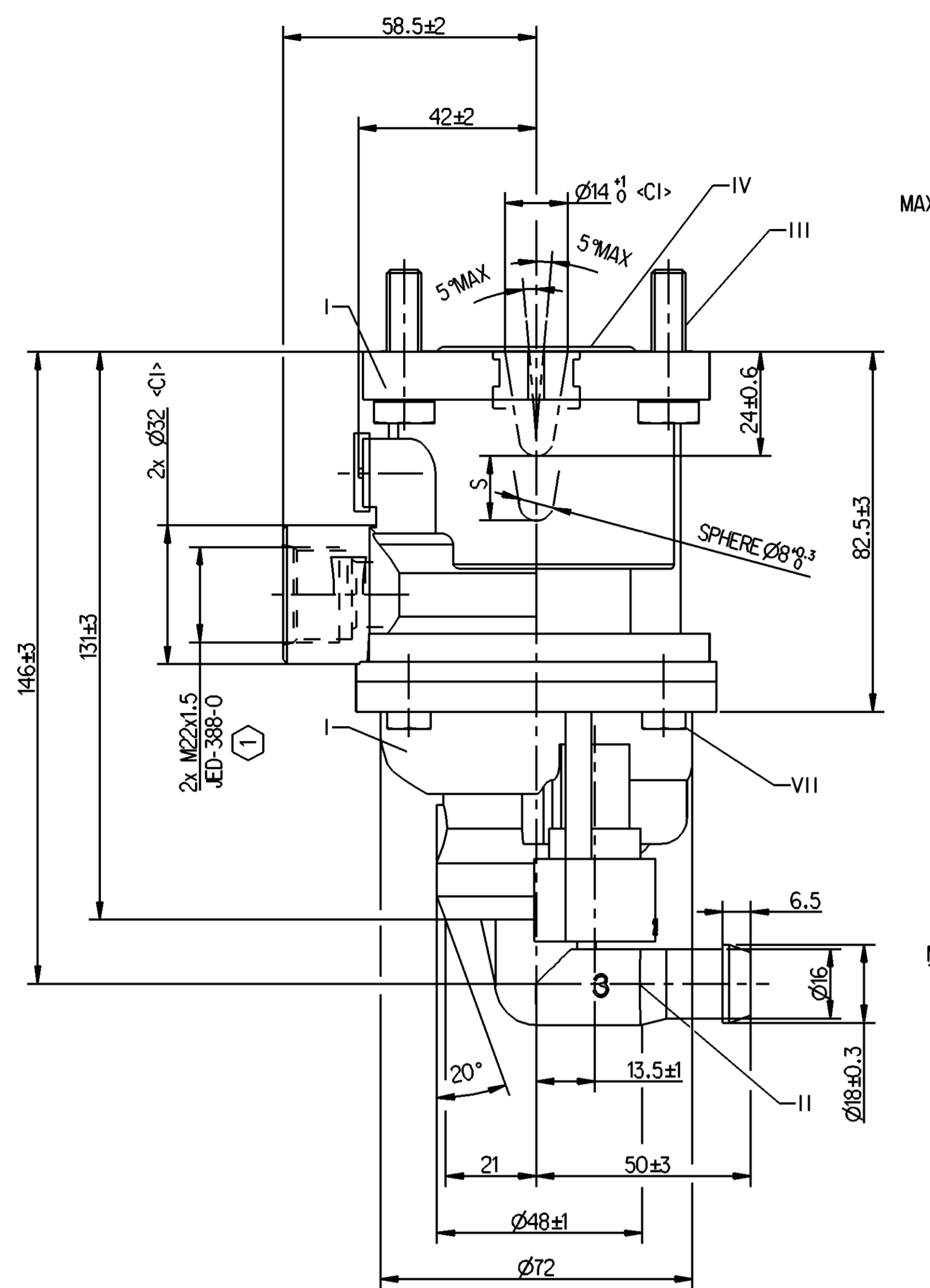


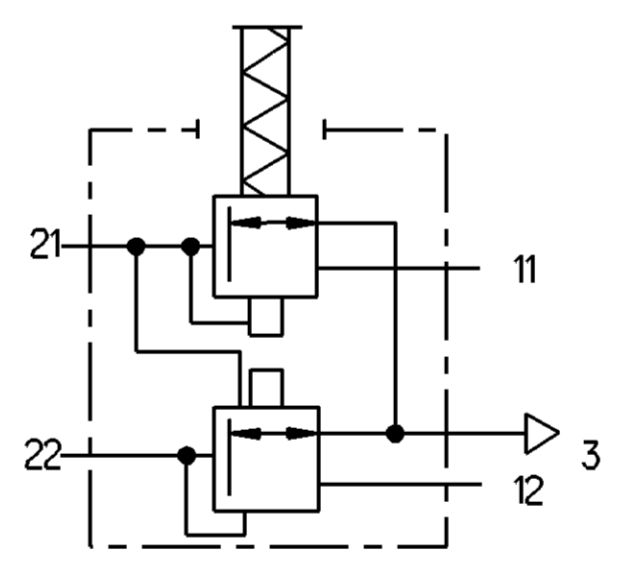
Tutti i diritti sono riservati. È vietata espressamente la ristampa o l'uso non autorizzato senza permesso scritto dalla ProVia.
 Toute communication ou reproduction de ce document, sans autorisation écrite, est formellement interdite.
 Alle Rechte sind vorbehalten. Nachdruck, Vervielfältigung oder Verbreitung, auch auszugsweise, ist ohne schriftliche Genehmigung der ProVia.
 Wszelkie prawa zastrzeżone. Wszelkie prawa zastrzeżone. Wszelkie prawa zastrzeżone.
 Copyright © 2019 ProVia. All rights reserved. ProVia is a registered trademark of ProVia.
 Further Technical Data: ProVia 315 004 0

<S> SAFETY CHARACTERISTICS	0
<Z> SIGNIFICANT CHARACTERISTICS	0
<C> CUSTOMER INTERFACE	6



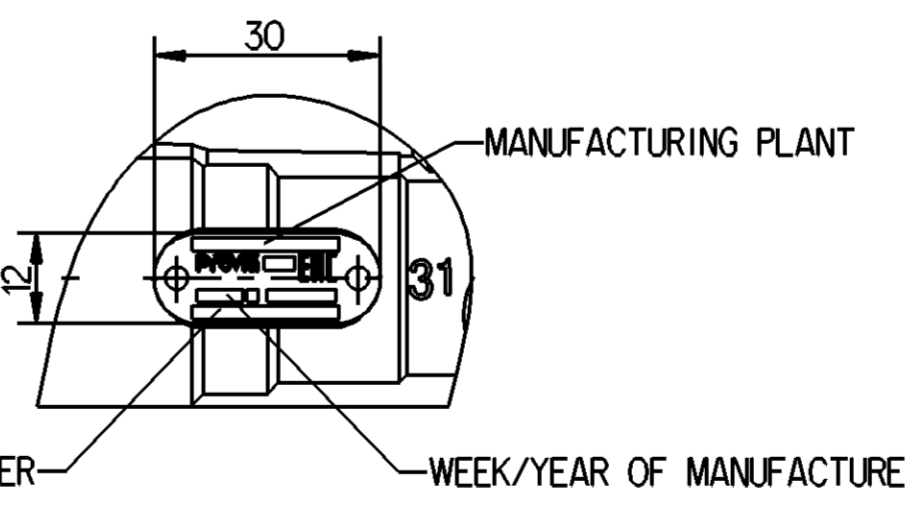
PLASTIC VENTING GUIDE TURNABLE 360°

SCHEMATIC DIAGRAM



11/12 SUPPLY
21/22 OUTLET
3 EXHAUST

NAME PLATE DETAILS



MATERIAL AND SURFACE PROTECTION

S.No.	MATERIAL	SURFACE PROTECTION
I	ALUMINIUM ALLOY	CHROMA TED
II	PLASTIC	NO TREATMENT
III	STEEL	ZINC PLATED
IV	RUBBER	NO TREATMENT
V	PLASTIC	NO TREATMENT
VI	STAINLESS STEEL	
VII	STEEL	ZINC PLATED

TECHNICAL DATA

S.No.	NOTES	
1	PRODUCT FUNCTION AND RELIABILITY	
2	WORKING MEDIUM	AIR
3	NORMAL WORKING PRESSURE	10 bar
4	MAXIMUM WORKING PRESSURE	13 bar
5	NOMINAL DIAMETER(78.5 mm sq)	Ø10 mm
6	THERMAL RANGE OF APPLICATION	-40°C TO +80°C

① TORQUE 53Nm MAX

General Specification: JED-388-1 - Size ISO 11.9mm LF

Copyright WARR®

Further Technical Data: ProVia 315 004 0

Date: 2019-12-16

Signature: Saravanan

Checked: Saravanan

2019-12-20

Export: Yerabachchan

Aswinkumar

Mass: 1.15 kg

Scale: 1:1

Material No.: PRO 315 004 0

Date of first issue: 2010-02-20

Doc. Code: Language: 005 EN 1/1

Revision: 5180_AM

Replacement for:

1) Tolerance Class Applied Crossmarked