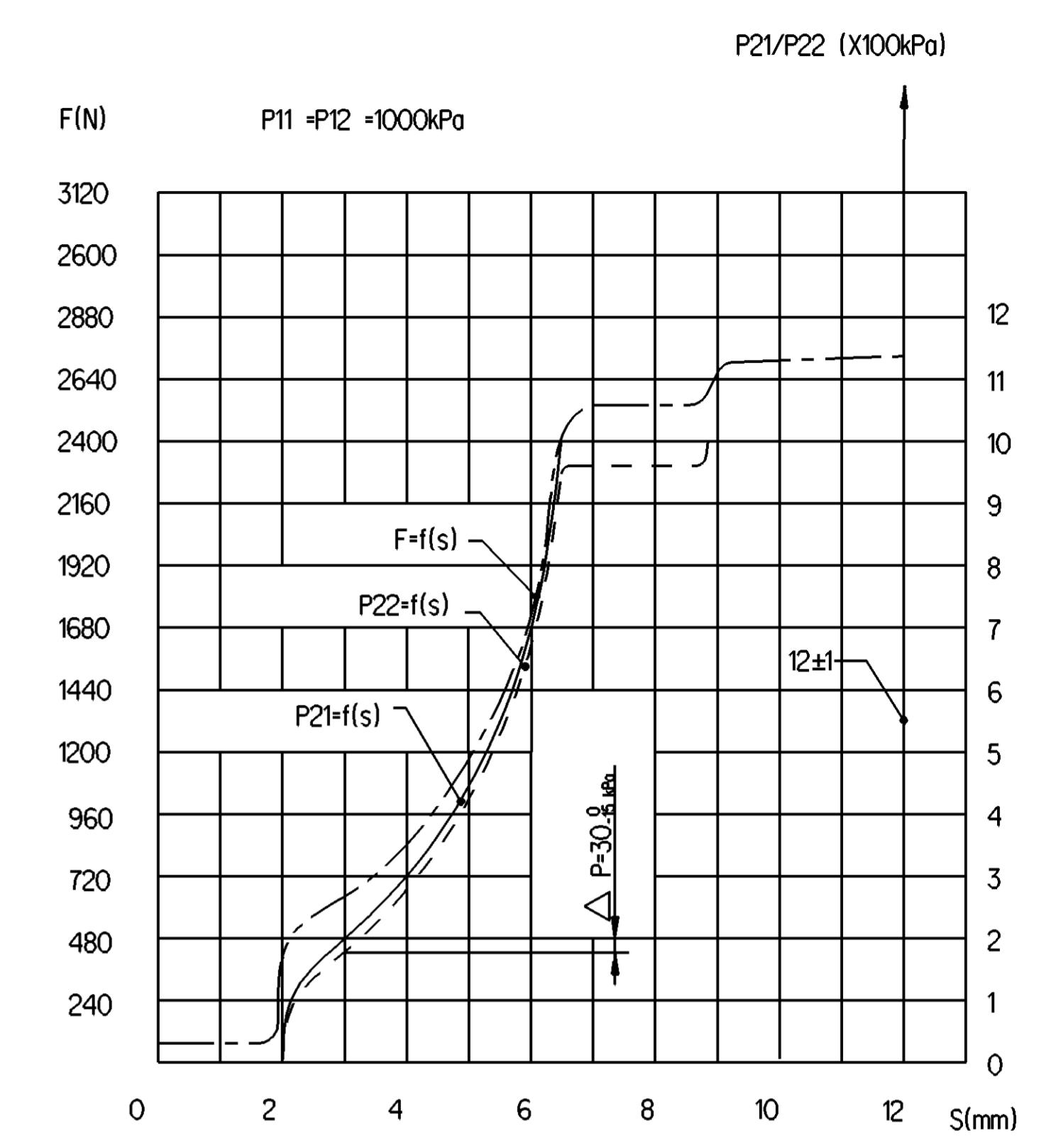
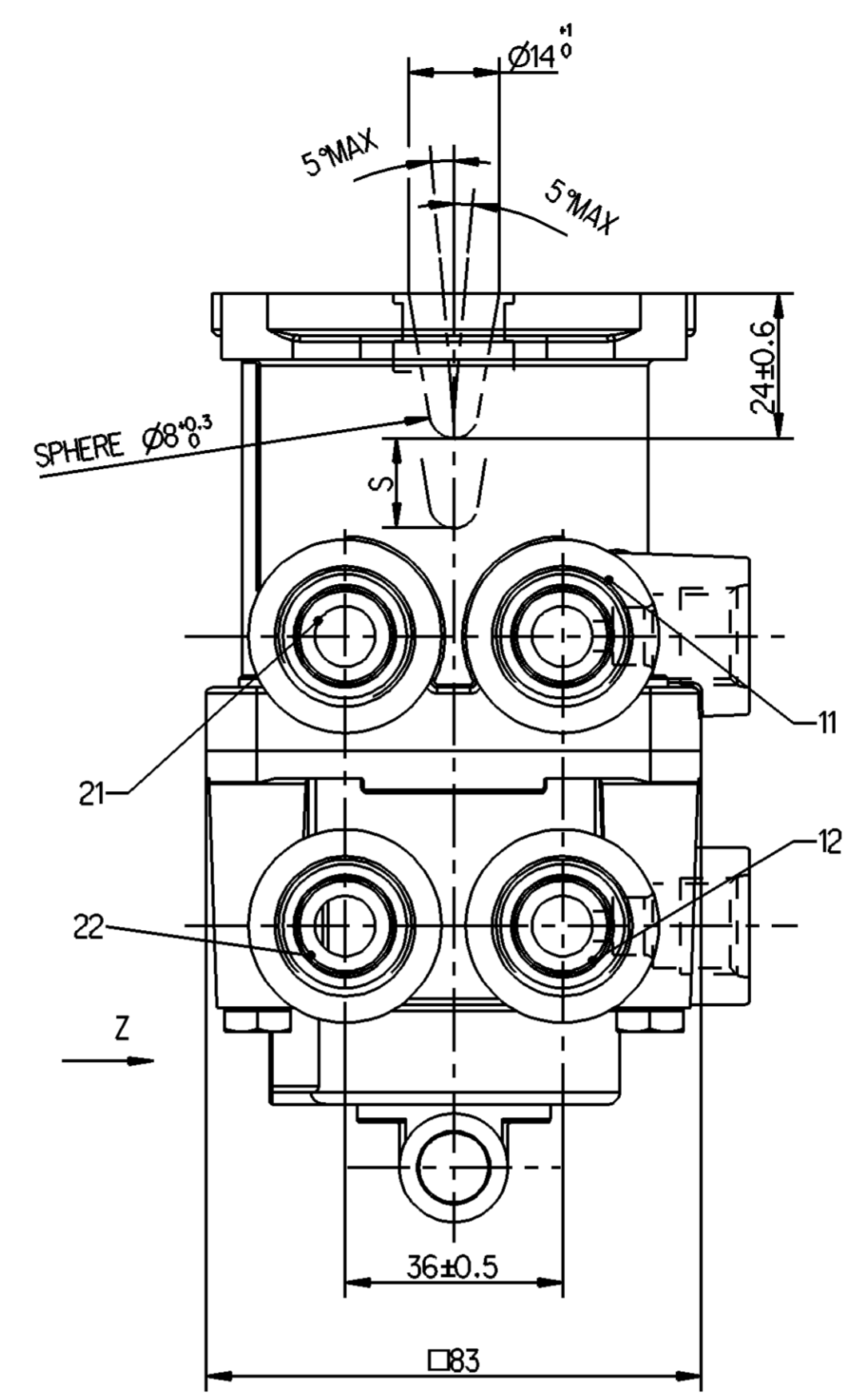
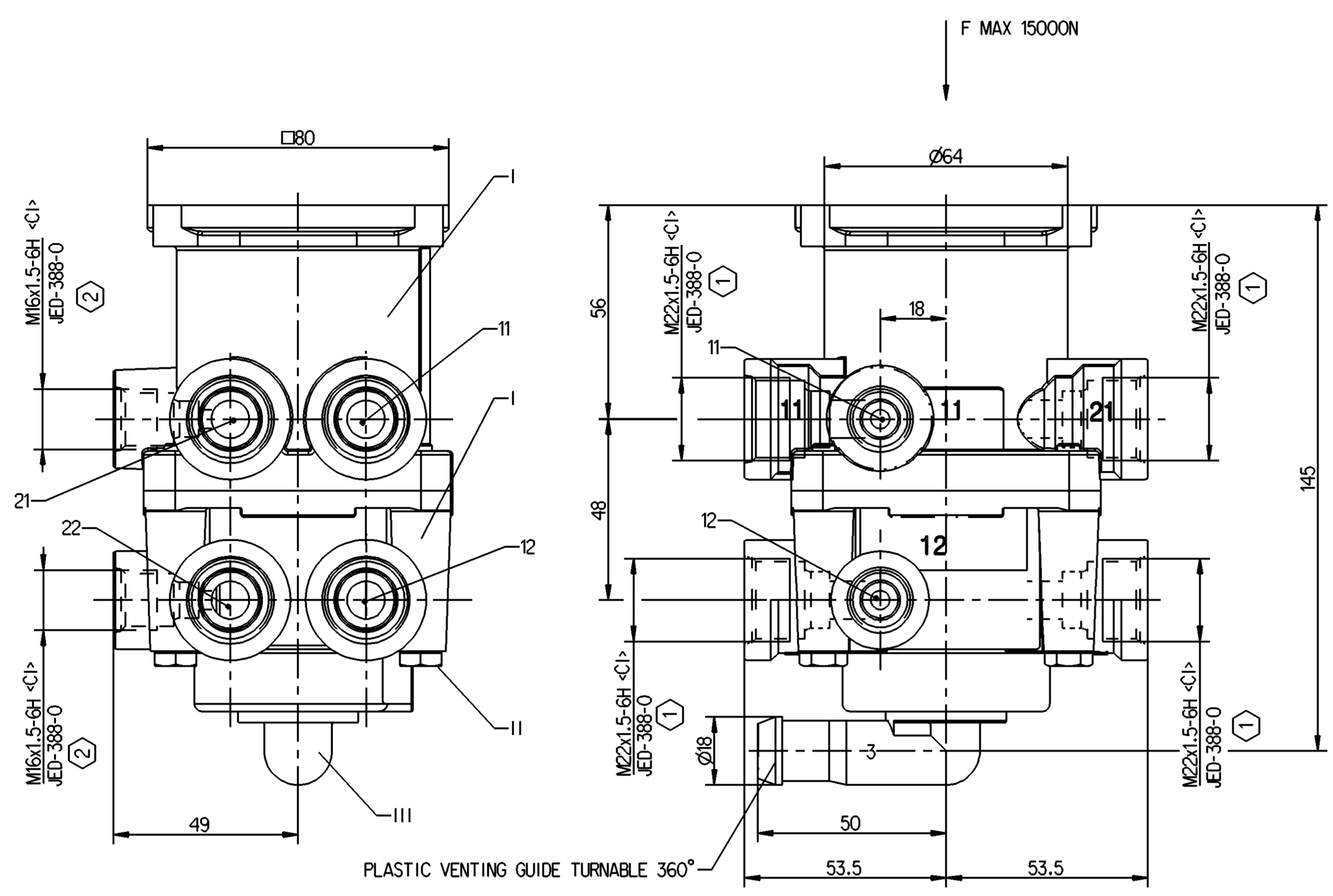
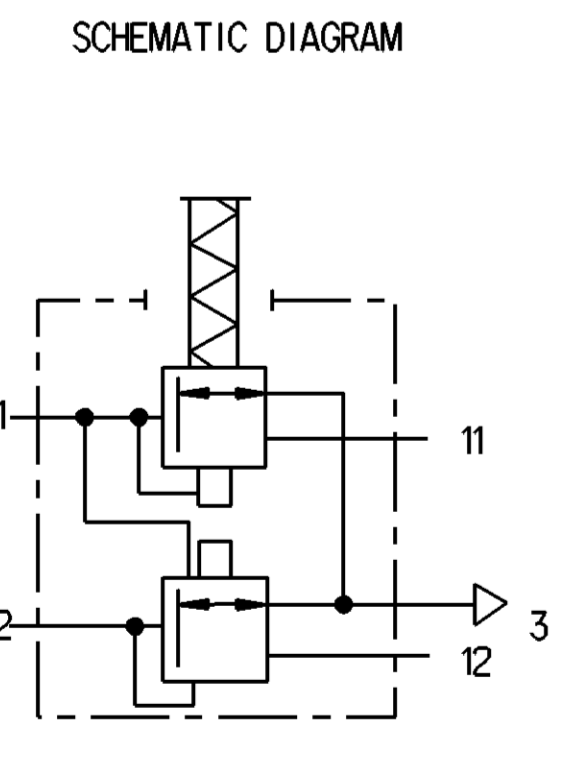


◀> SAFETY CHARACTERISTICS	0
◀> SIGNIFICANT CHARACTERISTICS	0
<C> CUSTOMER INTERFACE	7

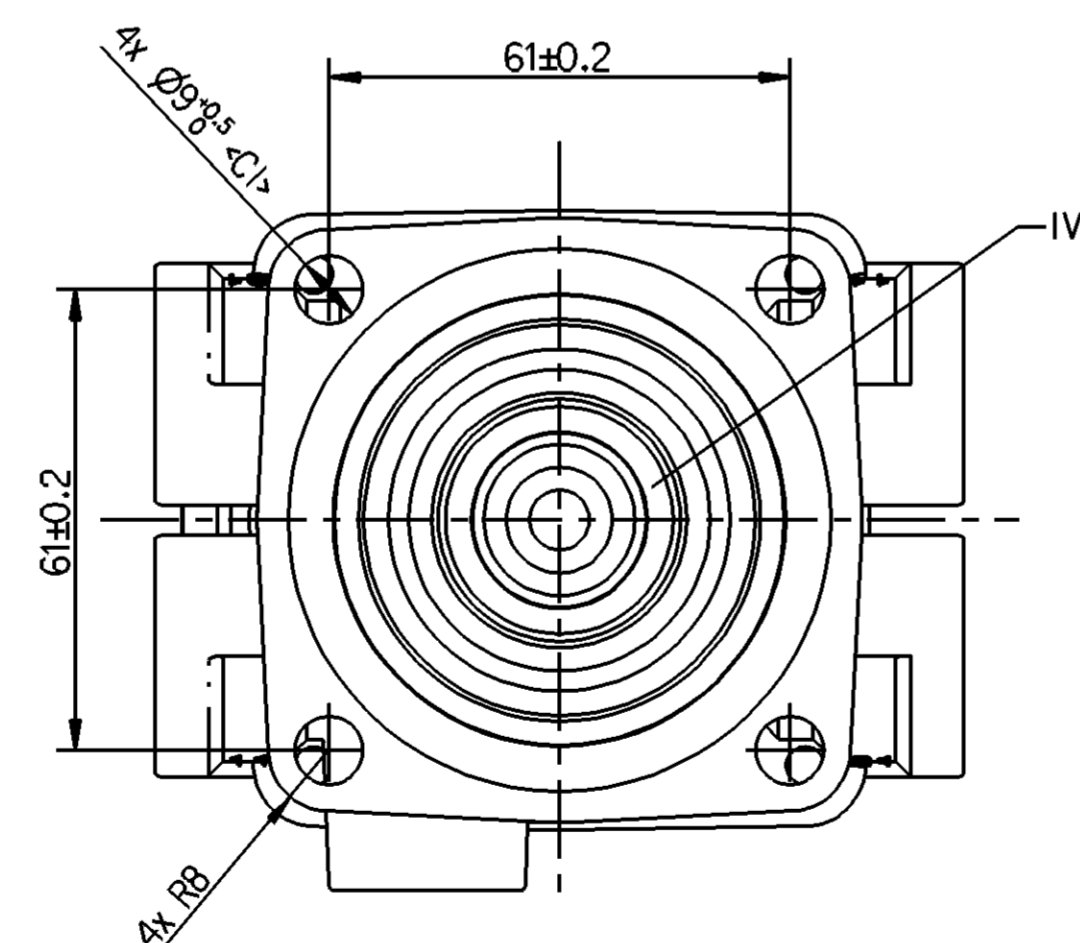


PLASTIC VENTING GUIDE TURNABLE 360°

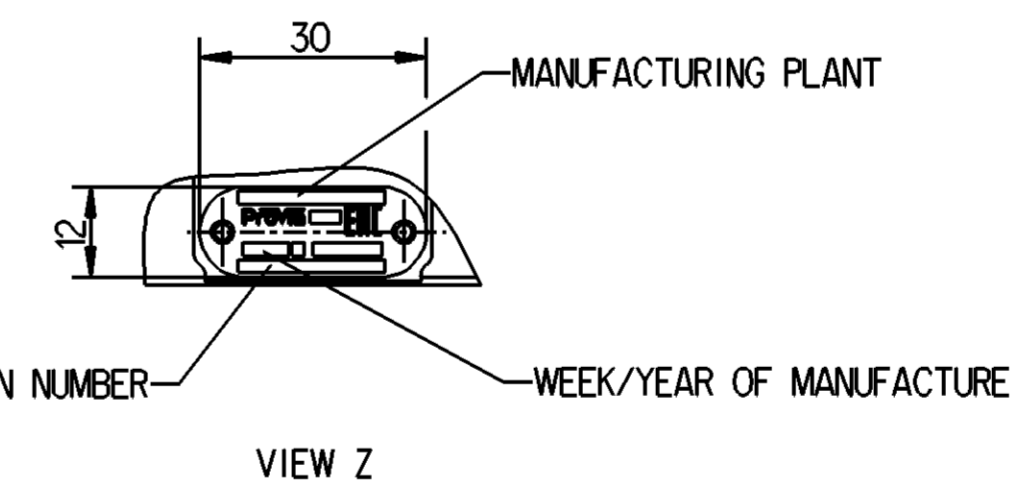
AT FAILURE CIRCUIT 1-NECESSARY STROKE $S \geq 12\text{mm}$
NECESSARY FORCE $F = 4100\text{ N}$



11/12 SUPPLY
21/22 OUTLET
3 EXHAUST



NAME PLATE DETAILS



- ① TORQUE 53Nm MAX
- ② TORQUE 34Nm MAX

MATERIAL AND SURFACE PROTECTION

S.No.	MATERIAL	SURFACE PROTECTION
I	ALUMINIUM ALLOY	CHROMA TED
II	STEEL	ZINC PLATED
III	PLASTIC	NO TREATMENT
IV	RUBBER	NO TREATMENT

TECHNICAL DATA

S.No.	NOTES	
1	PRODUCT FUNCTION AND RELIABILITY	
2	WORKING MEDIUM	AIR
3	NORMAL WORKING PRESSURE	10 bar
4	MAXIMUM WORKING PRESSURE	12 bar
5	NOMINAL DIAMETER(78.5 mm sq)	Ø10 mm
6	THERMAL RANGE OF APPLICATION	-40°C TO +80°C

Non è permesso copiare o riprodurre questo documento, né utilizzare il contenuto a fini commerciali, senza permesso scritto dalla WABCO. Tutti i diritti sono riservati. © WABCO 2019. Tutti i diritti sono riservati.

Toute réimpression ou reproduction de ce document, sans autorisation écrite de la WABCO, est formellement interdite. Toute utilisation commerciale du contenu de ce document sans autorisation écrite de la WABCO est formellement interdite.

Alle Rechte sind vorbehalten. Nachdruck, Vervielfältigung und Verbreitung, auch auszugsweise, ist ohne schriftliche Genehmigung der WABCO AG.

General Specifications: JED-351-1 - Size ISO 114mm L1	Copyright WABCO®	WABCO	
Further Technical Data: PRO 315 006 0	Date: 2019-12-17	Signature: Sorovanon	
Doc. Code: 005	Sheet: 01 To: 07	Checked: Sorovanon	
General Tolerances JED-351	Range of Nominal Dimensions (± mm)	Expert: Verachachetvan	
Class 1) ≤ 50	≤ 50 > 100	Aswinkumar	
Fine 0.5	1.0	2.0	4.0
Medium X 1.0	2.0	3.0	4.0
Coarse 2.0	3.0	4.0	6.0
Tapped Holes acc. JED-388-0		Mass: 1.75 kg	Scale: 1:1
1) Tolerance Class Applied Circled		Material No.: PRO 315 006 0	Date of first issue: 2019-12-20
		Acc. Code: 005	Language: EN
		Size: A 1	Sheet: 1/1