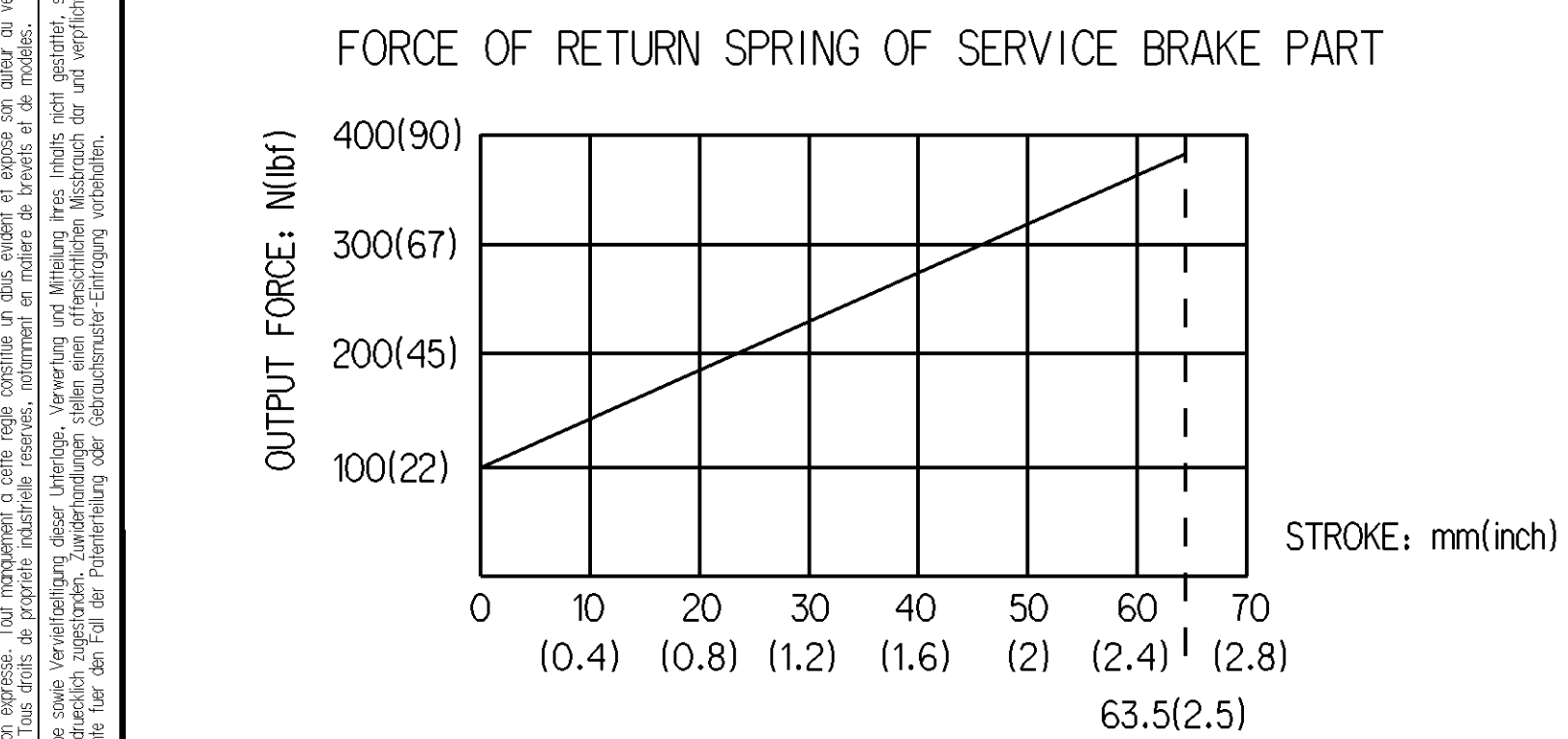
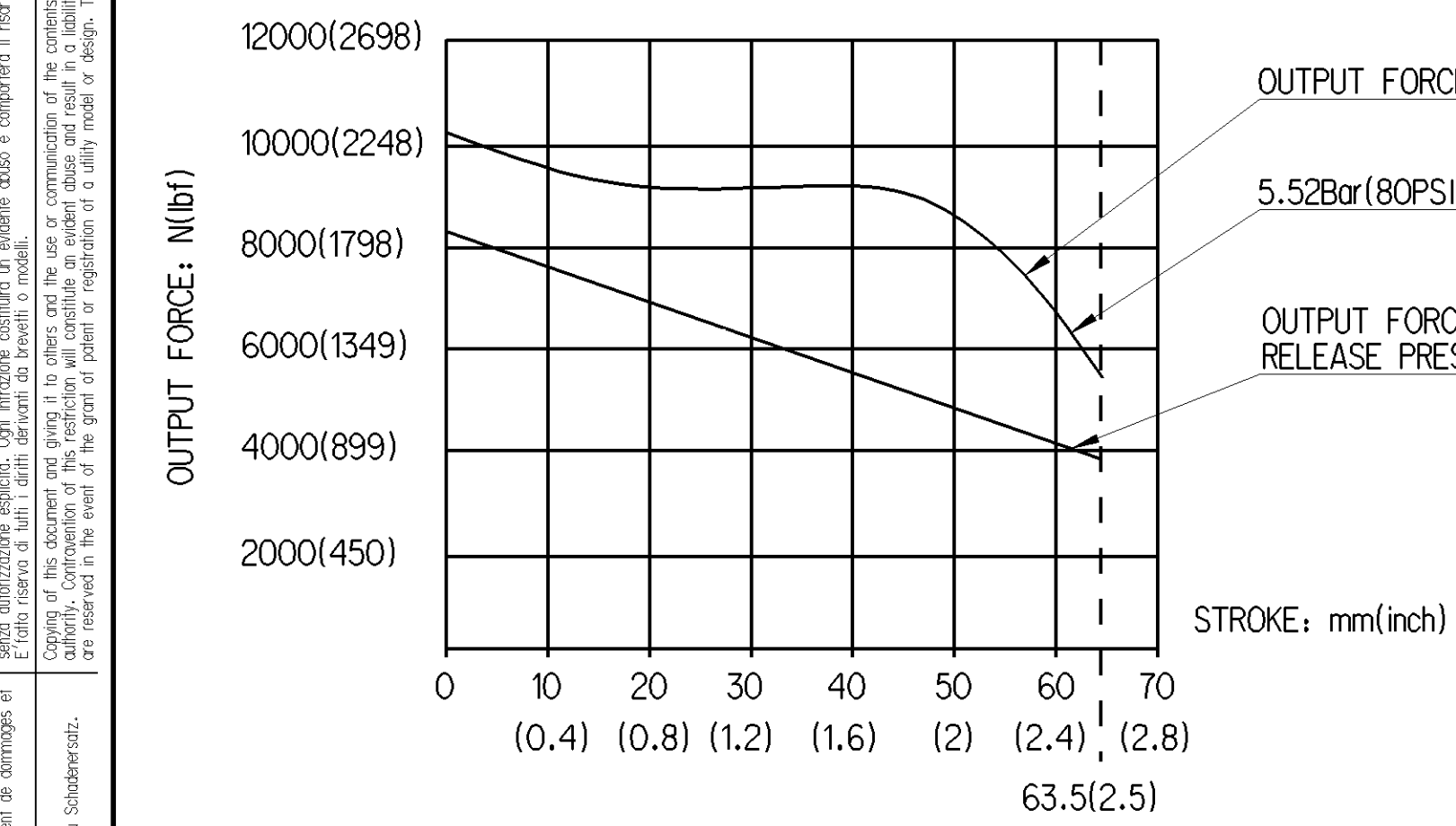
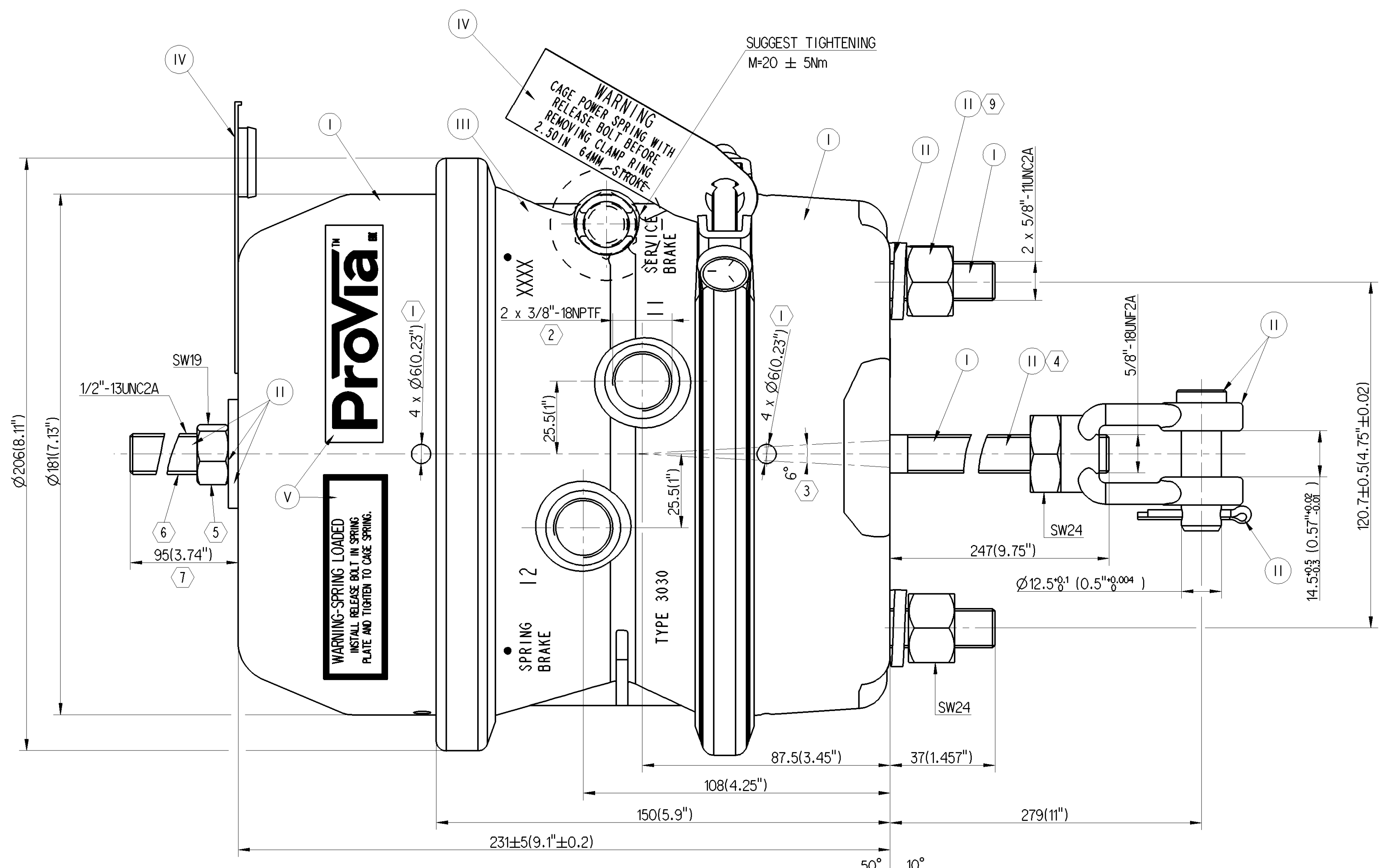
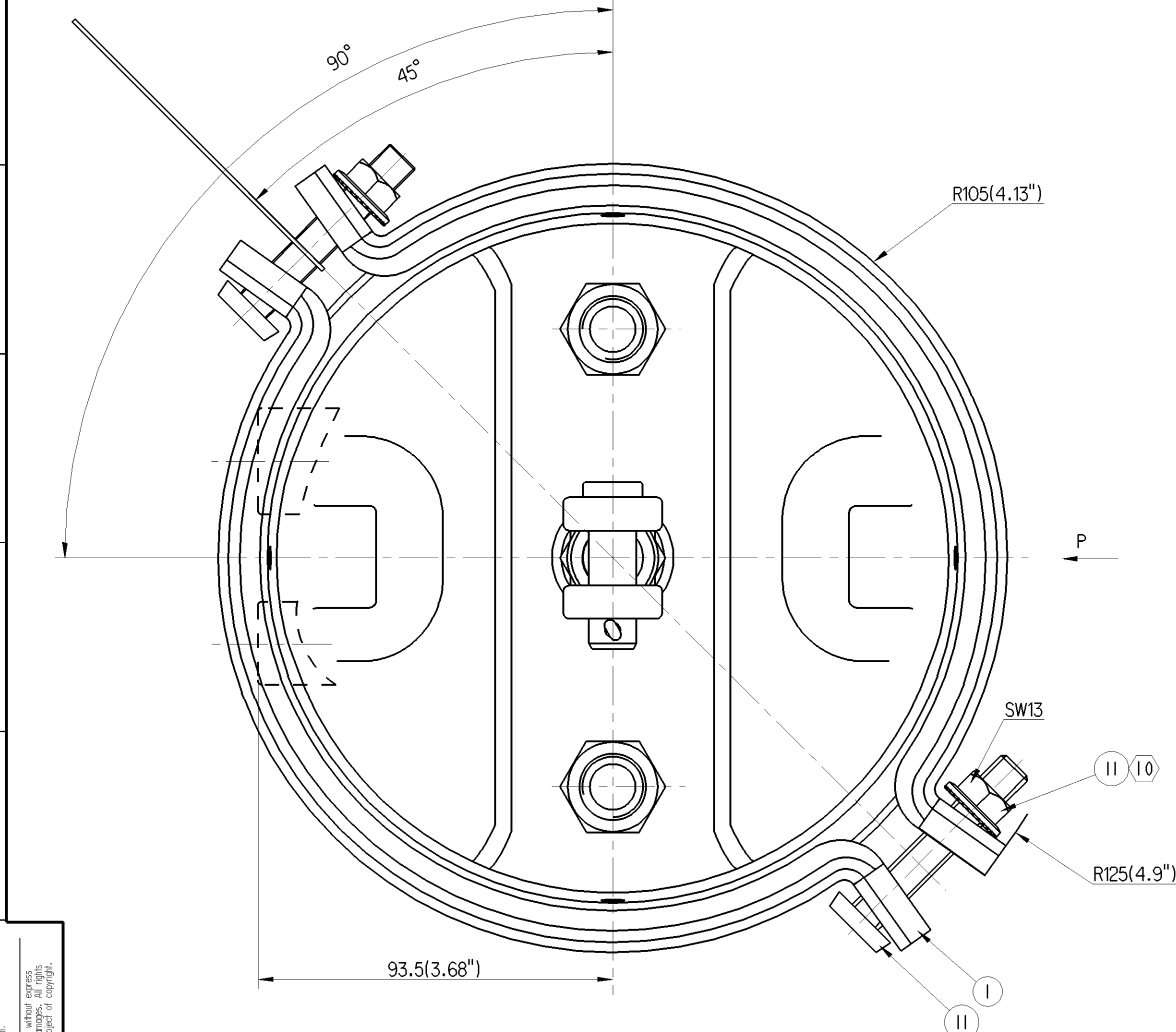
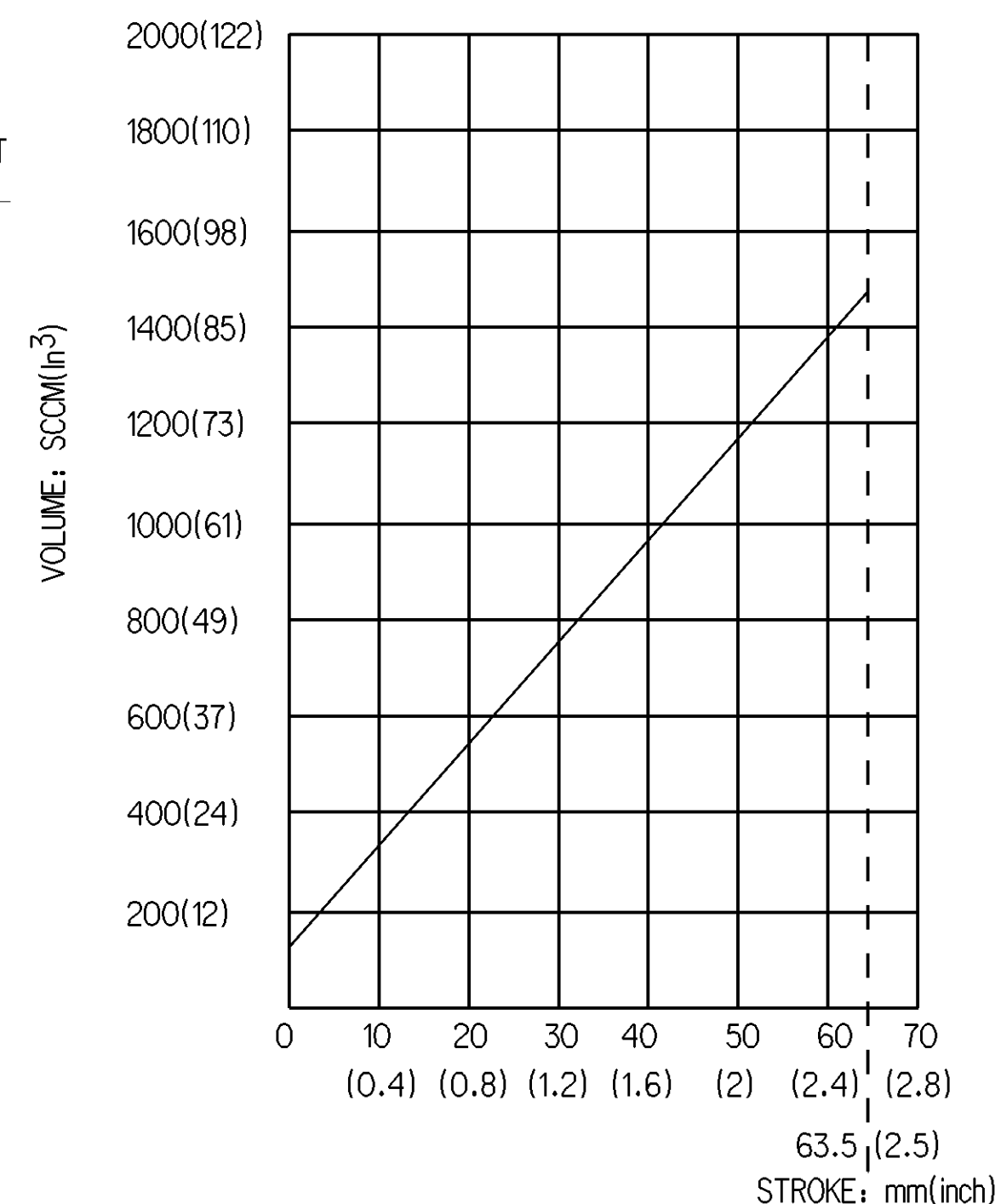


EXTERNAL SURFACE
I ELECTRO-PAINTING
II ZINC PLATED WITH CR6+ FREE
III SURFACE OXIDIZATION
IV HARD POLYETHYLENE
V STICKER



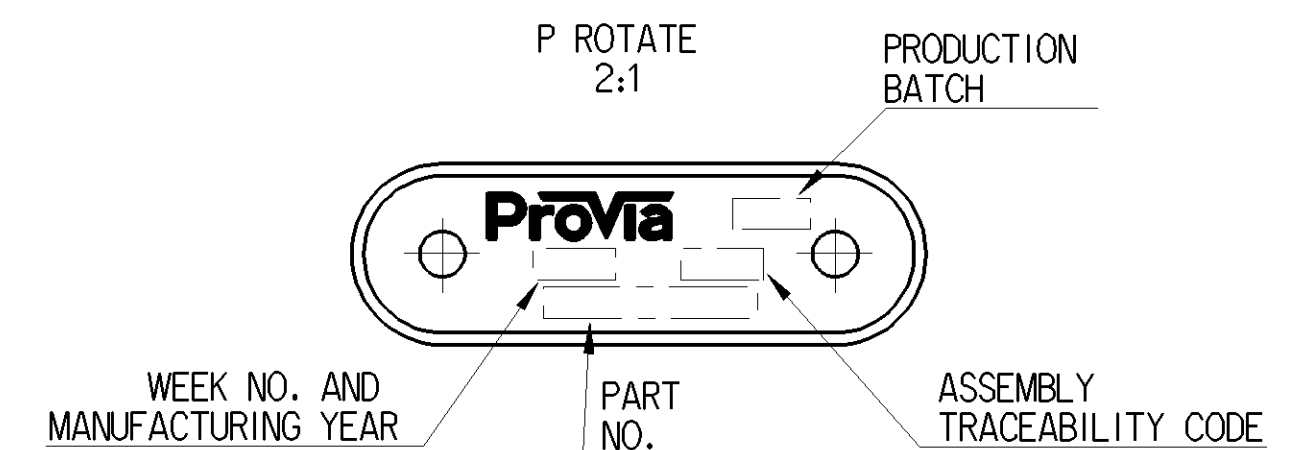
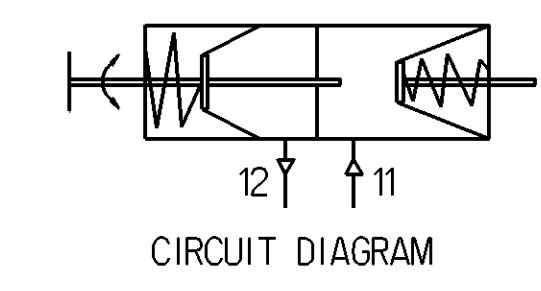
SERVICE CHAMBER VOLUME VS STROKE



GRAPHS FOR INFORMATION ONLY

- ① OPEN BREATHER HOLE, DEFLECTION ANGLE $\pm 30^\circ$.
- ② TORQUE: $45 \pm 5 \text{ Nm}$; THREAD PLUG IS INSTALLED.
- ③ DEFLECTION: MAX 6° AT 0mm STROKE.
- ④ TORQUE: $80 \pm 10 \text{ Nm}$.
- ⑤ TORQUE: MAX 25 Nm .
- ⑥ CONDITION AS SUPPLIED: SPRING RELEASED.
- ⑦ SIZE WHEN SPRING COMPRESSED.
- ⑧ PARTIAL DEFLECTION ANGLE ALLOWED.
- ⑨ TORQUE: $220 \pm 20 \text{ Nm}$.
- ⑩ TORQUE: $\geq 25 \text{ Nm}$.

- TECHNICAL REQUIREMENT:**
- STROKE - PARKING CHAMBER: $\geq 63.5 \text{ mm}(2.5")$; SERVICE CHAMBER: $\geq 63.5 \text{ mm}(2.5")$;
 - WORKING PRESSURE: APPLIED PRESSURE $8 \text{ Bar}(116 \text{ PSI})$; MAX. WORKING PRESSURE: $10 \text{ Bar}(145 \text{ PSI})$;
 - WORKING TEMPERATURE: $-40^\circ \text{ C} \dots +80^\circ \text{ C}(-40^\circ \text{ F} \dots +176^\circ \text{ F})$;
 - THE DRAWING IS AT CAGED CONDITION, THE PARKING CHAMBER WILL BE AT UNCAGED CONDITION DURING SHIPMENT;



General Specification: JED-334-1, Size ISO 14405 LP		Copyright WABCO®		ProVia	
Further Technical Data:		Date: 2016-09-09	Signature: Kolkowski	DOUBLE-DIAPHRAGM ACTUATOR CAM 30/30-2.5"	
Doc. Code:	Sheet: To	Checked: 2016-09-12	Expert: Przybysz	Material No.:	PRO 393 202 0
General Tolerances JED-261		Range of Nominal Dimensions (± mm)		Mass:	20 lbs
Class	11	≤ 50	> 50 < 180	Scale:	1:1
Fine		≤ 180	≤ 400	Size:	CREO
Medium	X	1.0	2.0	±3°	
Coarse		2.0	3.5	5.0	6.5
Tapped Holes acc. -		EON-No.:		Revision:	A
1) Tolerance Class Applied: Crossmarked		Techn. Resp.:		5420_AM	Replacement for:

Non è permesso copiare o riprodurre questo documento, né utilizzare o copiarlo in modo contrario a quanto è permesso dalla legge. È vietata espressamente la ristampa o l'uso non autorizzato. Tutti i diritti sono riservati. È vietata espressamente la ristampa o l'uso non autorizzato. Toute réimpression ou reproduction de ce document, toute utilisation ou copie contraire à la loi est formellement interdite. Toute réimpression ou utilisation non autorisée sans la permission écrite de la ProVia est formellement interdite. Toute réimpression ou utilisation non autorisée sans la permission écrite de la ProVia est formellement interdite.