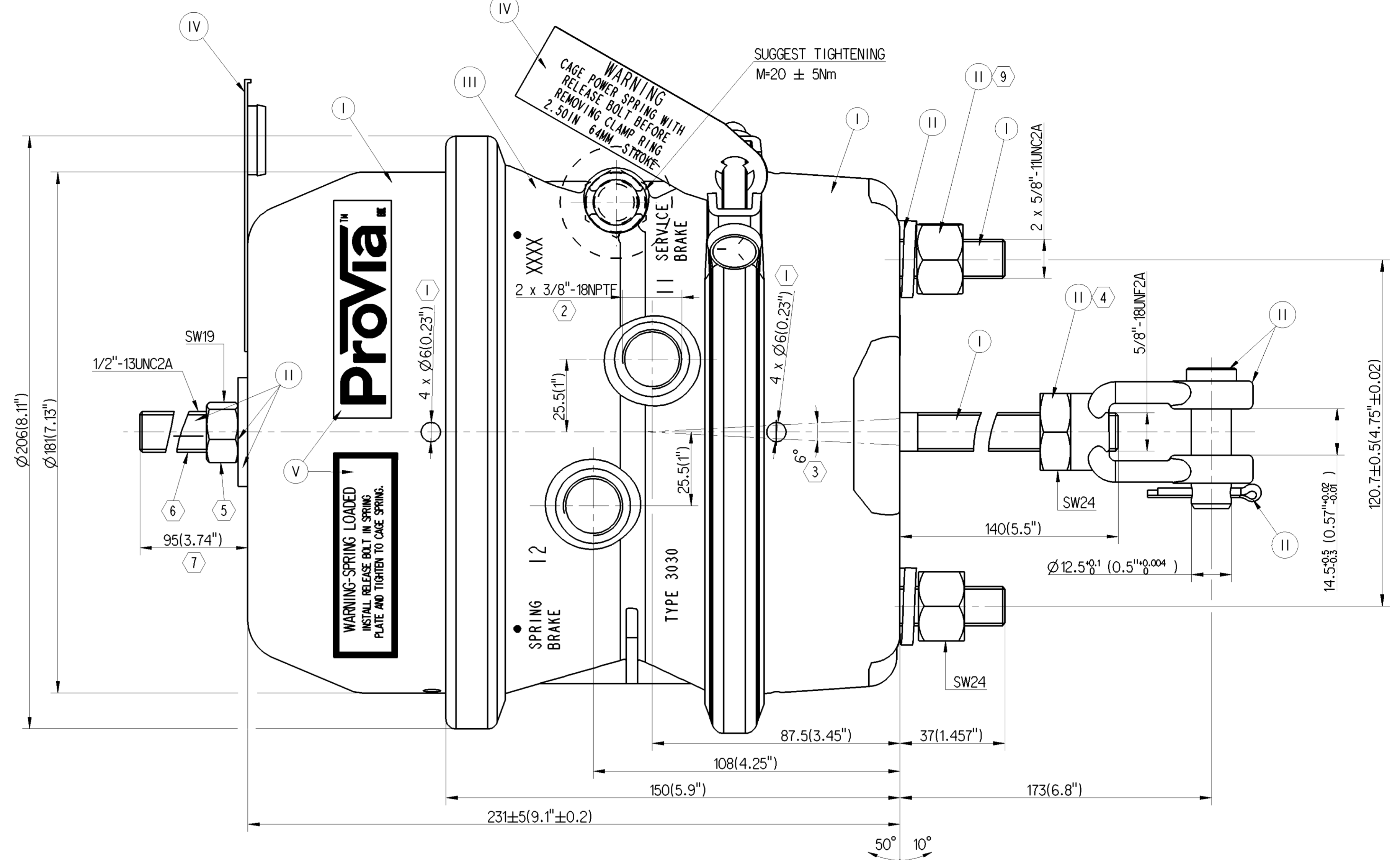
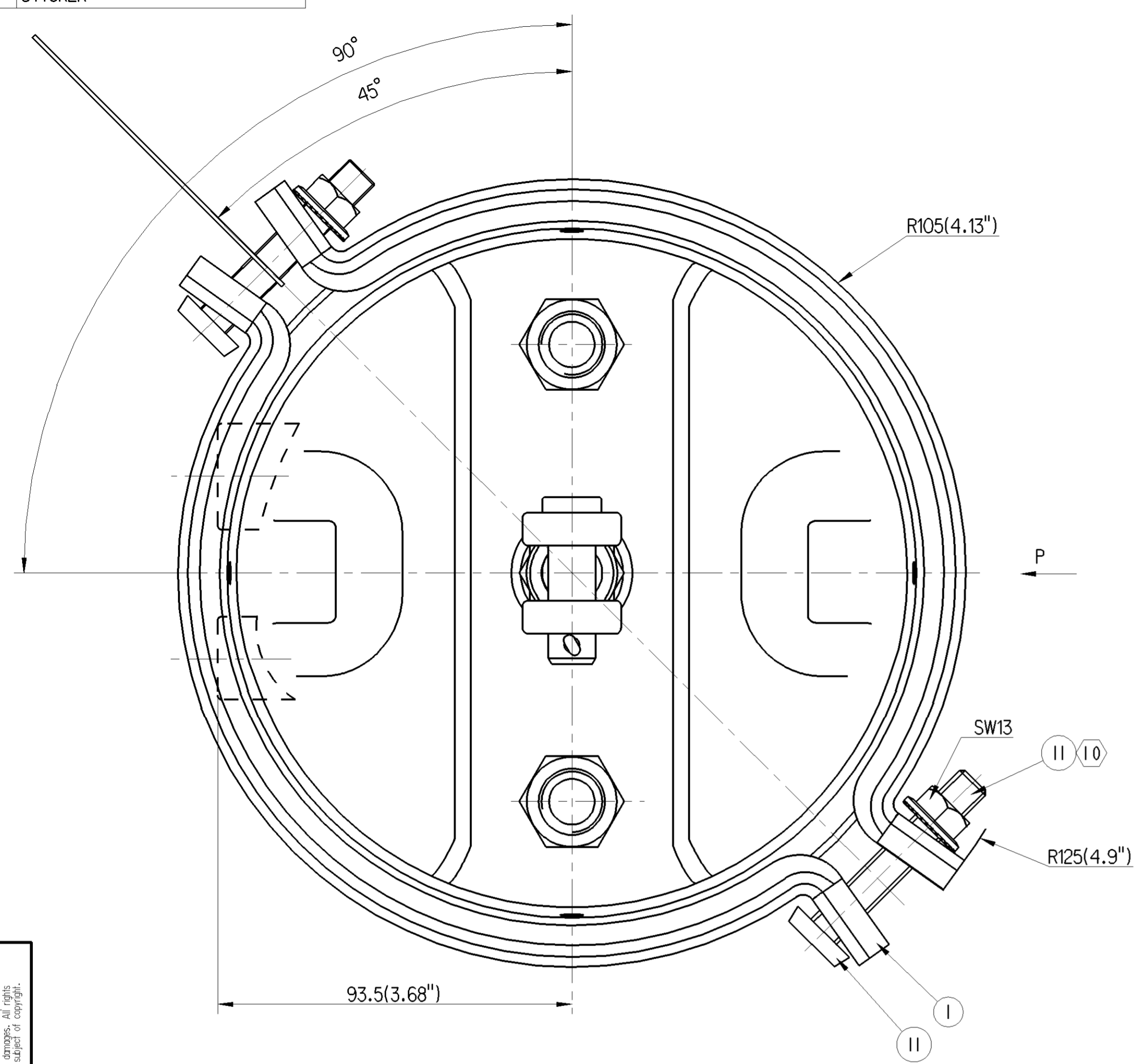


EXTERNAL SURFACE	
I	ELECTRO-PAINTING
II	ZINC PLATED WITH CR6+ FREE
III	SURFACE OXIDIZATION
IV	HARD POLYETHYLENE
V	STICKER



ProVia™

**WARNING-SPRING LOADED
INSTALL RELEASE BOLT IN SPRING
PLATE AND TIGHTEN TO CAGE SPRING.**

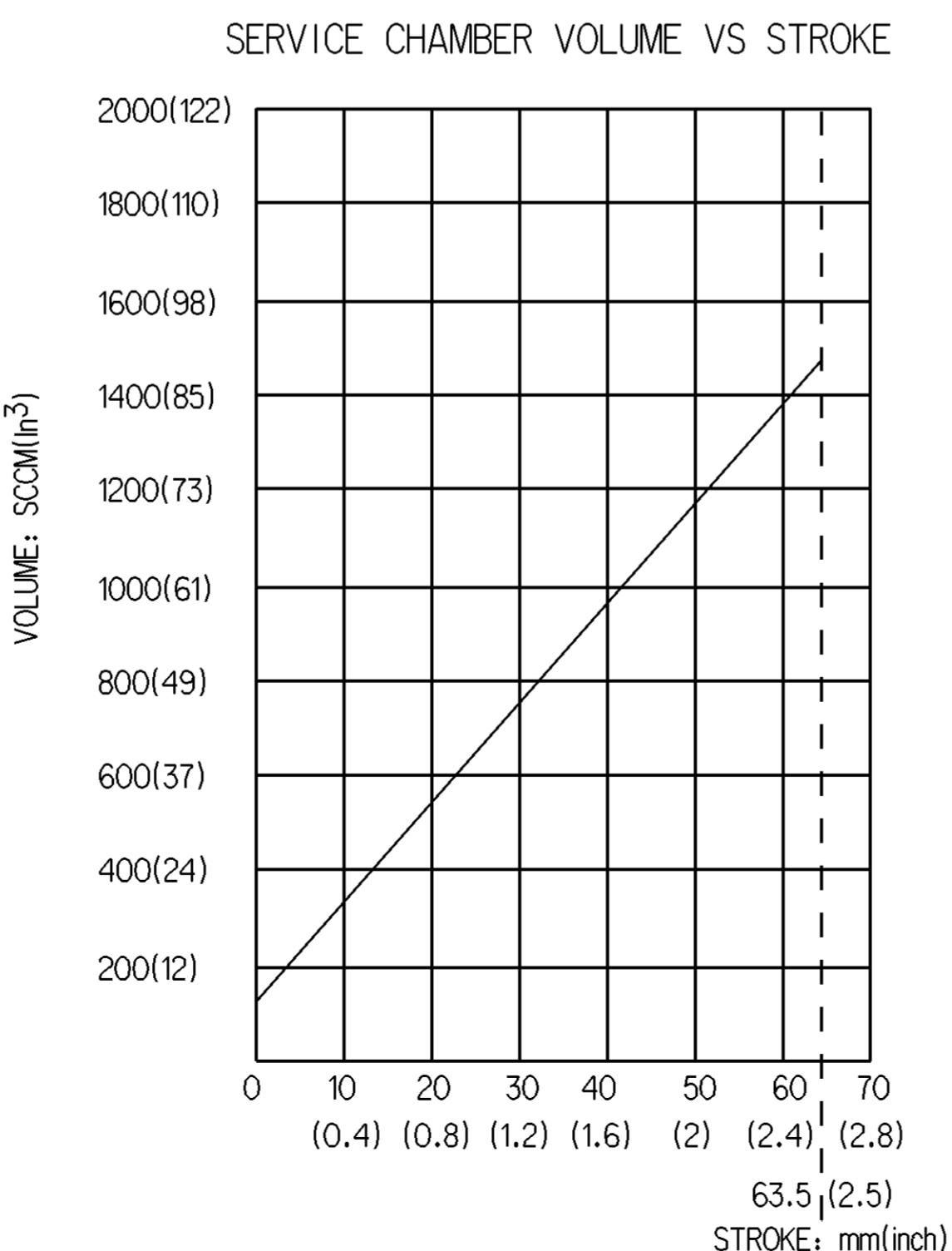
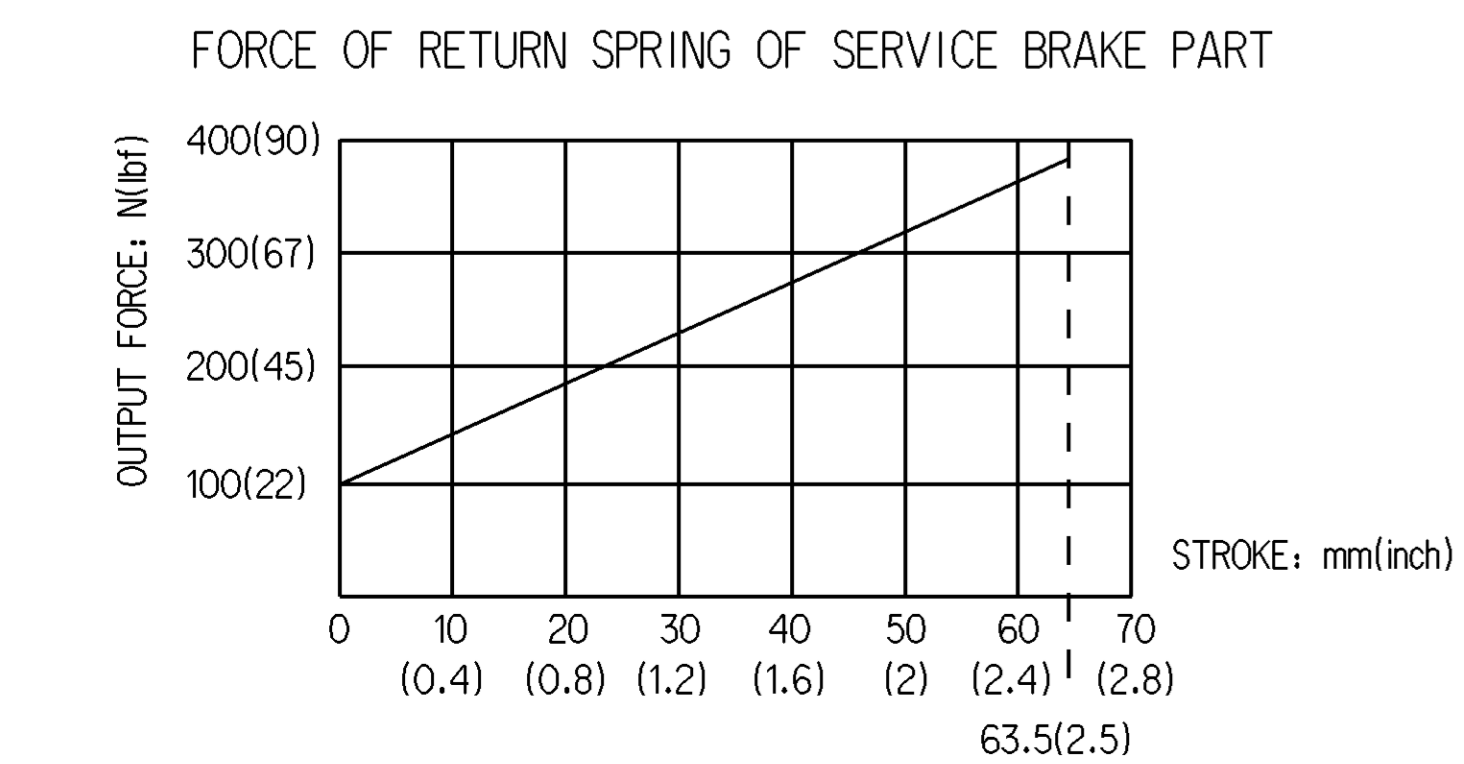
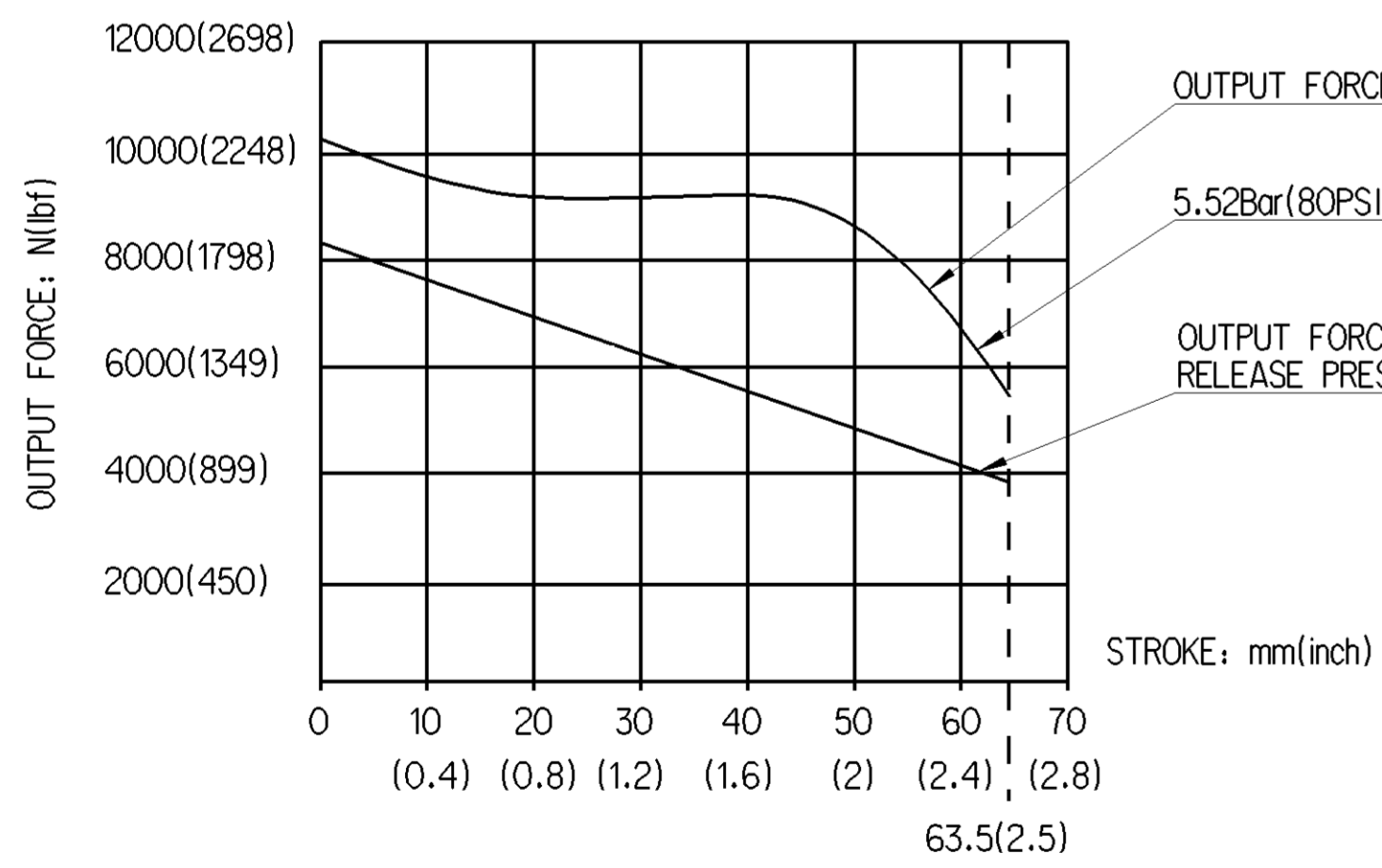
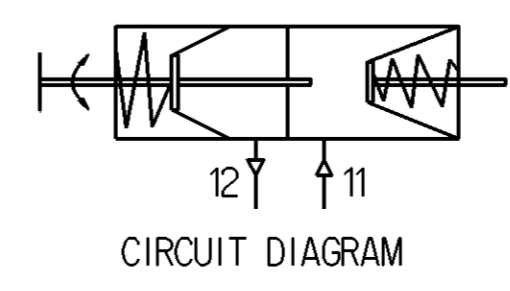
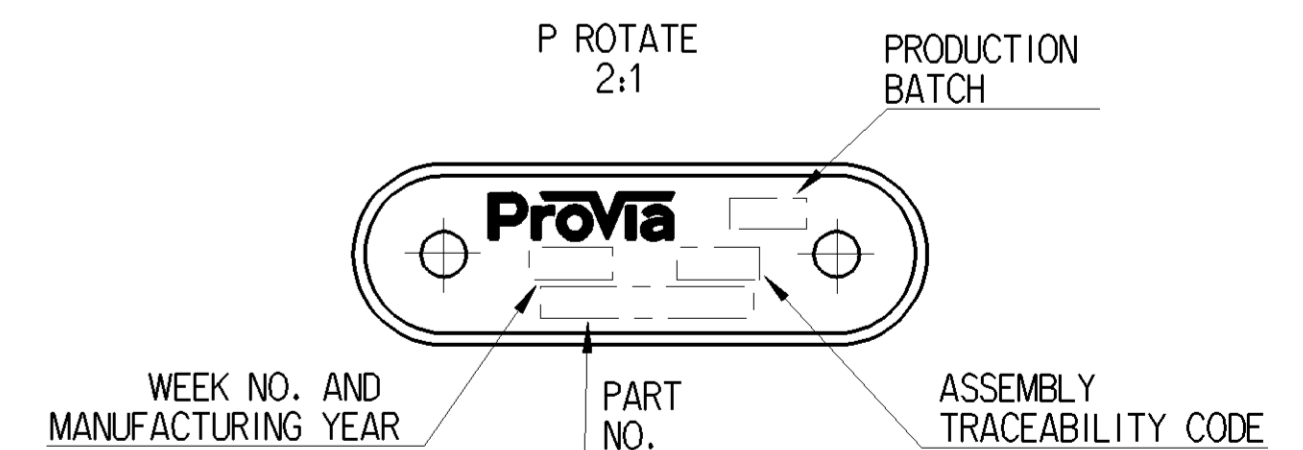
WARNING
CAGE POWER SPRING WITH
RELEASE BOLT BEFORE
REMOVING CLAMP RING
2.50 IN 6 MM STROKE

SUGGEST TIGHTENING
M=20 ± 5Nm

- ① OPEN BREATHER HOLE, DEFLECTION ANGLE ±30°.
- ② TORQUE: 45±5Nm; THREAD PLUG IS INSTALLED.
- ③ DEFLECTION: MAX 6° AT 0mm STROKE.
- ④ TORQUE: 80±10Nm.
- ⑤ TORQUE: MAX 25Nm.
- ⑥ CONDITION AS SUPPLIED: SPRING RELEASED.
- ⑦ SIZE WHEN SPRING COMPRESSED.
- ⑧ PARTIAL DEFLECTION ANGLE ALLOWED.
- ⑨ TORQUE: 220±20Nm.
- ⑩ TORQUE: ≥ 25Nm.

TECHNICAL REQUIREMENT:

1. STROKE - PARKING CHAMBER: ≥ 63.5mm(2.5");
SERVICE CHAMBER: ≥ 63.5mm(2.5");
2. WORKING PRESSURE: APPLIED PRESSURE 8Bar(116PSI);
MAX. WORKING PRESSURE: 10Bar(145PSI);
3. WORKING TEMPERATURE: -40°C ... +80°C(-40°F ... +176°F);
4. THE DRAWING IS AT CAGED CONDITION, THE PARKING CHAMBER
WILL BE AT UNCAGED CONDITION DURING SHIPMENT;



GRAPHS FOR INFORMATION ONLY

General Specification: JED-334-1, Size ISO 14405 LP		Copyright WABCO®	
Further Technical Data:		Date: 2016-09-09	Signature: Kolkowski
Doc. Code:	Sheet: To	Checked: 2016-09-12	Przybysz
General Tolerances JED-261		Expert:	
Range of Nominal Dimensions (± mm)			
Class	11	≤ 50	> 50 < 180
Fine	X	0.5	1.0
Medium	X	1.0	2.0
Coarse	X	2.0	3.5
Tapped Holes acc. -		±3°	
1) Tolerance Class Applied Crossmarked		A 1 CREO	
Material No.:		Date of first issue: 2016-09-12	
PRO 393 203 0		Doc. Code Language Sheet	
ECN-No. Revision Techn. Resp. Replacement for		005 EN 1/1	
5420_AM		100mm	