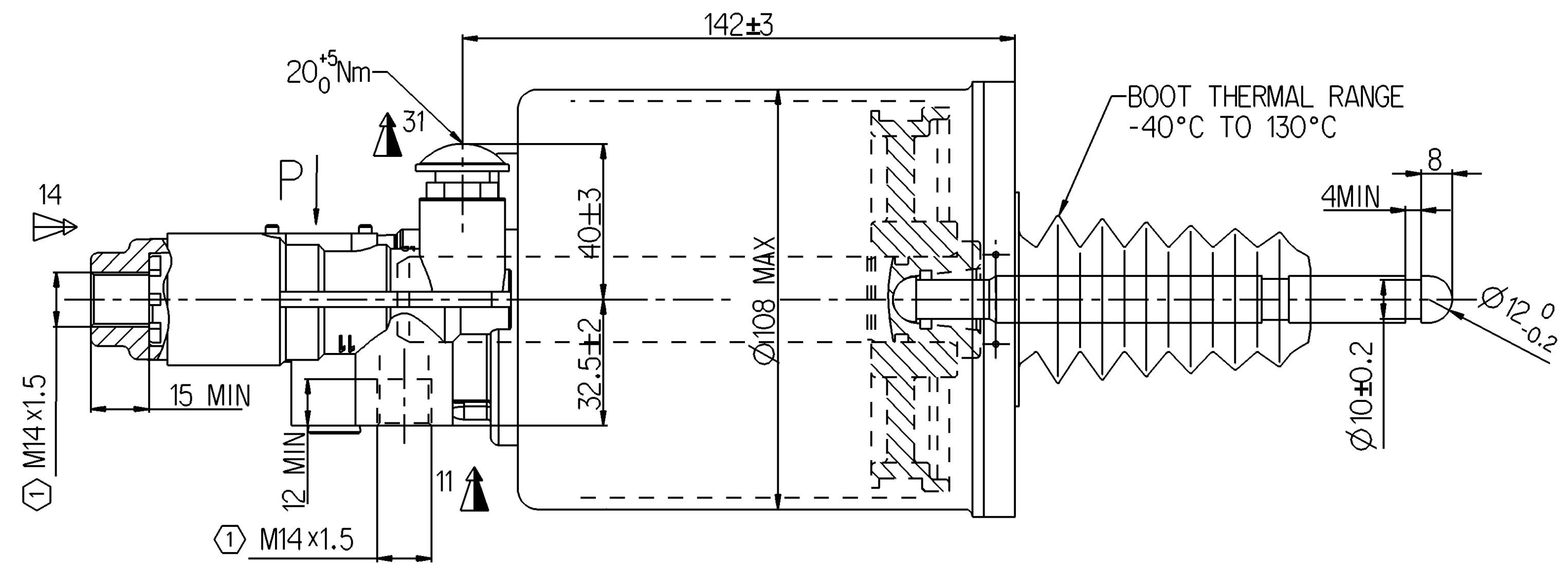
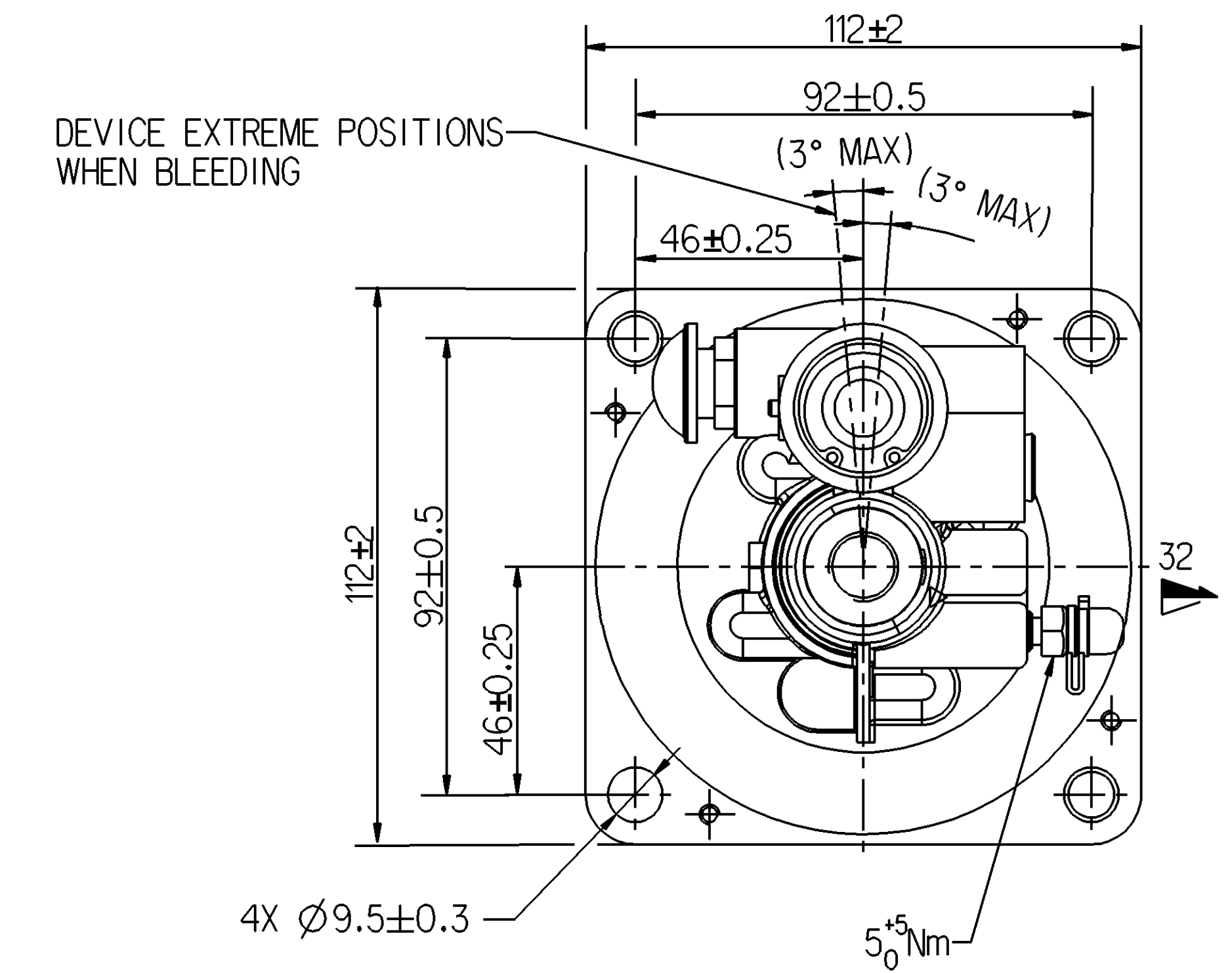
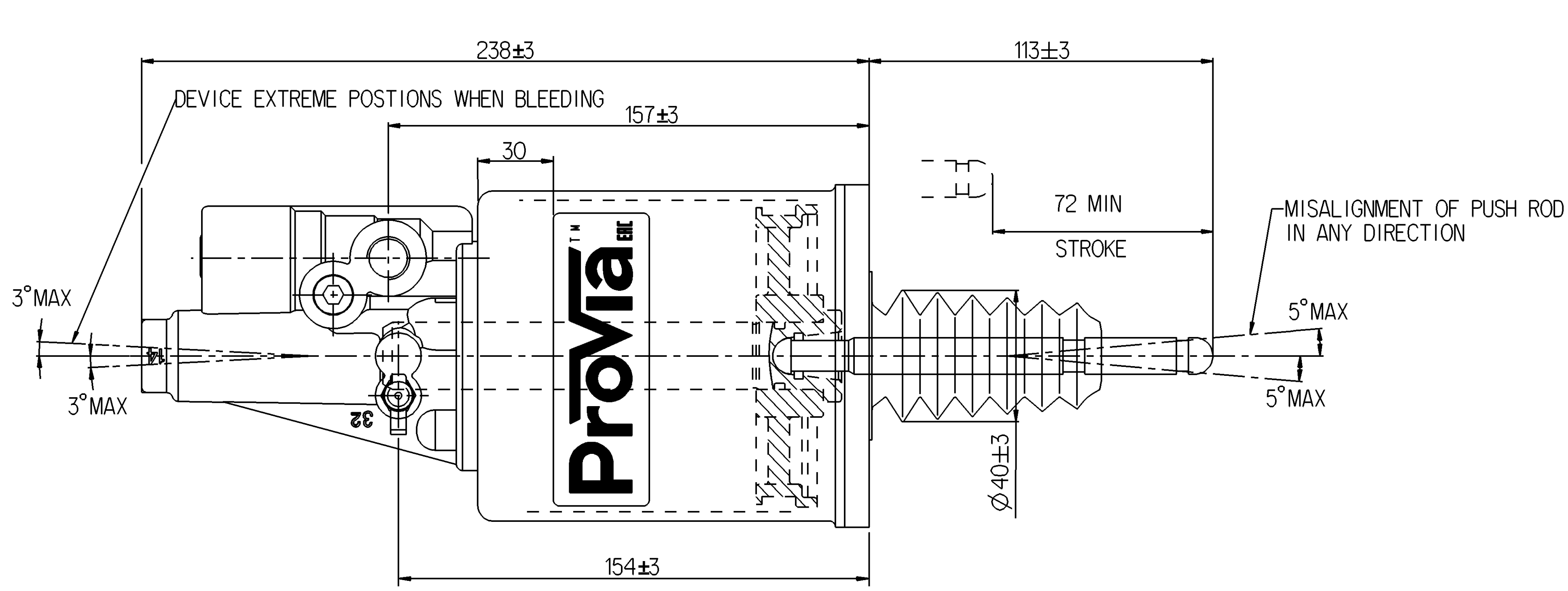


<- SAFETY CHARACTERISTICS	0
<- SIGNIFICANT CHARACTERISTICS	0

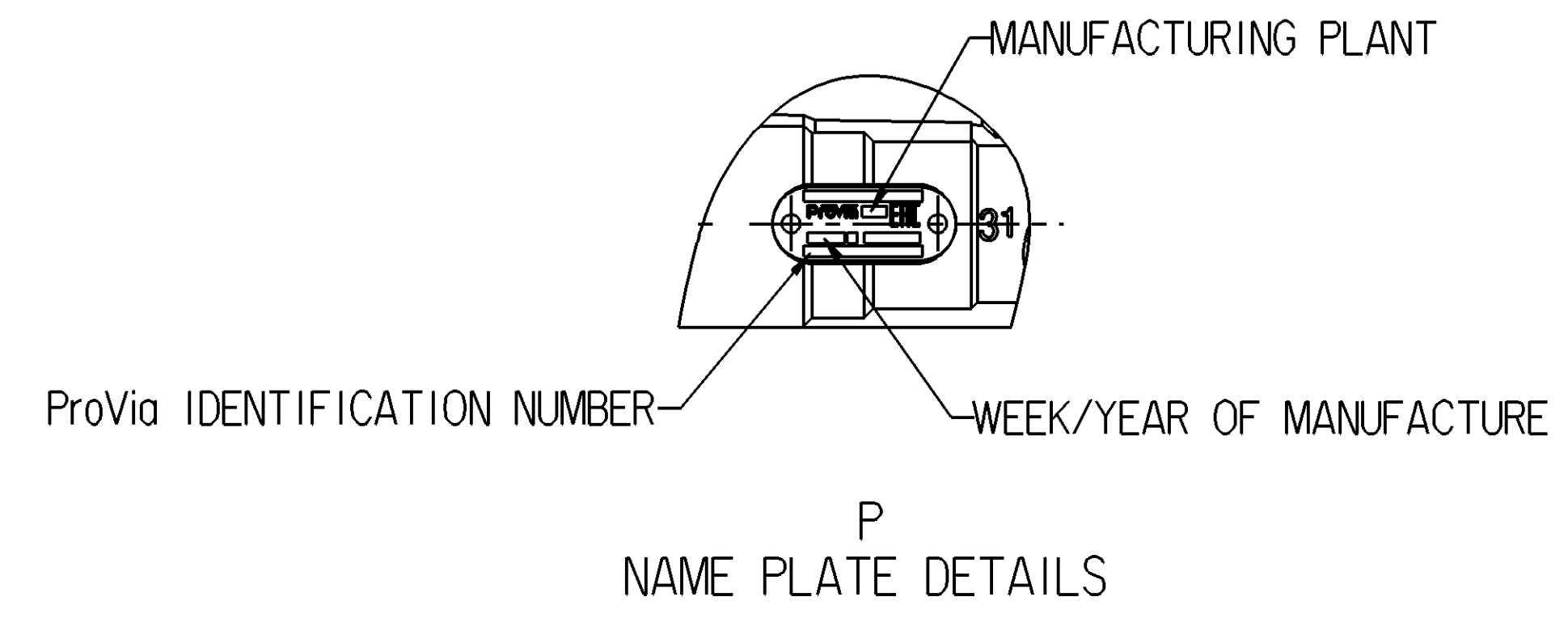
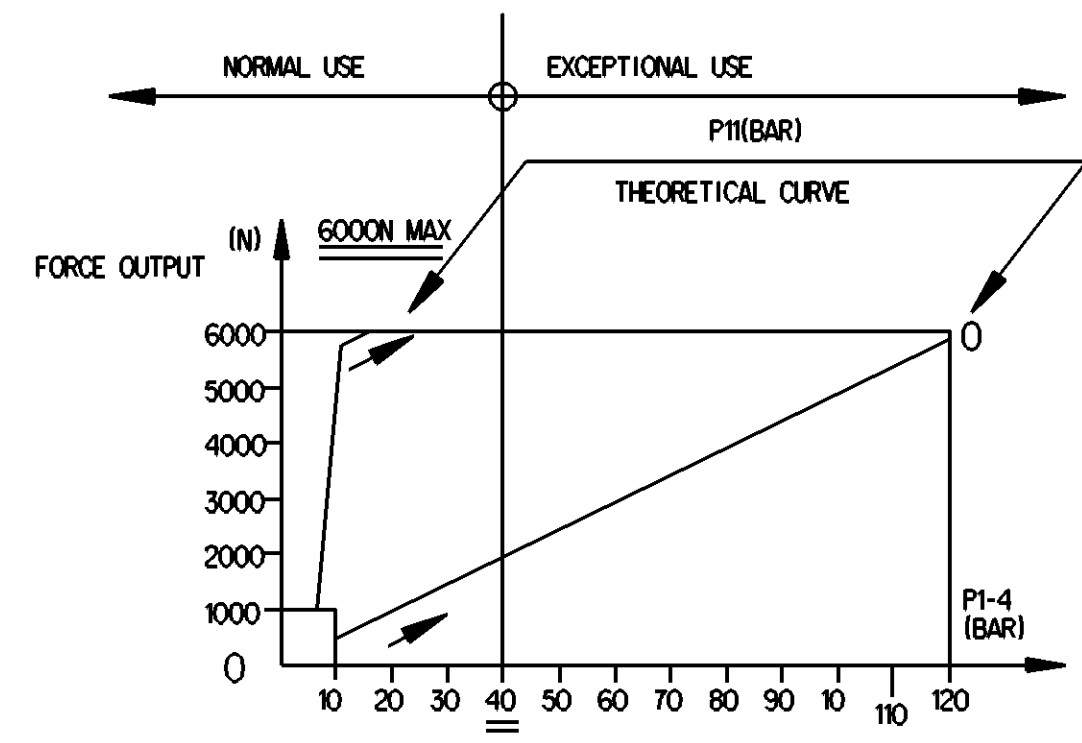
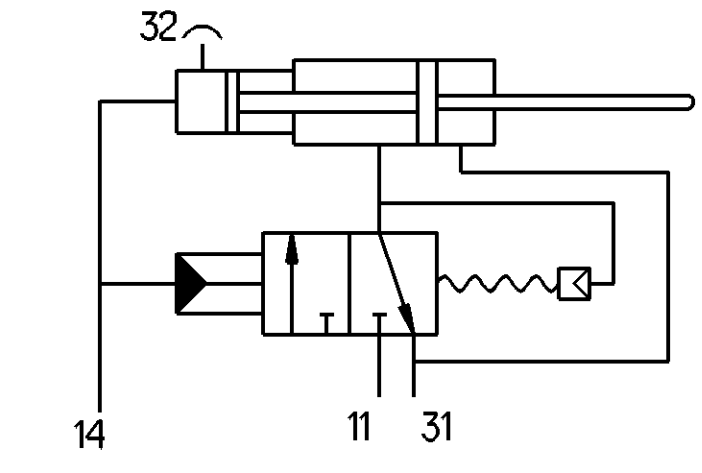


MARKING OF PORTS
 11-AIR INLET
 14-OIL INLET
 31-AIR EXHAUST
 32-BLEED SCREW

- NOTES
 1. HYDRAULIC TANK DIA. : Ø22mm
 2. AIR TANK DIA. : Ø102mm
 3. HYDRAULIC WORKING PRESSURE : 4MPa
 4. HYDRAULIC WORKING PRESSURE MAX : 12MPa
 5. AIR WORKING PRESSURE MAX : 1MPa
 6. WORKING TEMPERATURE : -40°C ~ +80°C
 7. WORKING MEDIUM : BRAKE OIL , AIR

① TORQUE : 25 Nm MAX

SCHEMATIC DIAGRAM



General Specifications: JED-334-1 - Size ISO 14405 LP		Copyright WABCO®	
Further Technical Data: PRO 411 000 0		Date	Signature
Doc. Code: 043	Sheet: 1 To 5	2019-04-30	Shanmugam S
General Tolerances JED-261		Checks	
Range of Nominal Dimensions (± mm)		2019-05-09 Verahachelvan	
Class	1) ≤ 50	2) > 50 & ≤ 180	3) > 180 & ≤ 400
Fine	0.5	1.0	1.5
Medium	1.0	2.0	3.0
Coarse	2.0	3.5	5.0
Tapped Holes acc.:		±3°	
1) Tolerance Class Applied Crossmarked		Mass	Scale
		2.3	NTS
		Size	CAD System
		A 1	CREO
		Material No.	
		PRO 411 000 0	
		Date of first issue:	2019-05-09
		Doc. Code	Language
		005	EN
		Sheet	1/1
		EDN-No.	Revision
		5630_AM	
		Techn. Resp.	Replacement for

Non è permesso copiare o riprodurre questo documento, né utilizzare il contenuto a fini commerciali, senza permesso scritto dalla WABCO. È vietata espressamente la ristampa o l'uso non autorizzato. Toute réimpression ou utilisation non autorisée sans la permission écrite de la WABCO est formellement interdite. Toute utilisation non autorisée sera considérée comme acte de contrefaçon et sera poursuivie en justice.