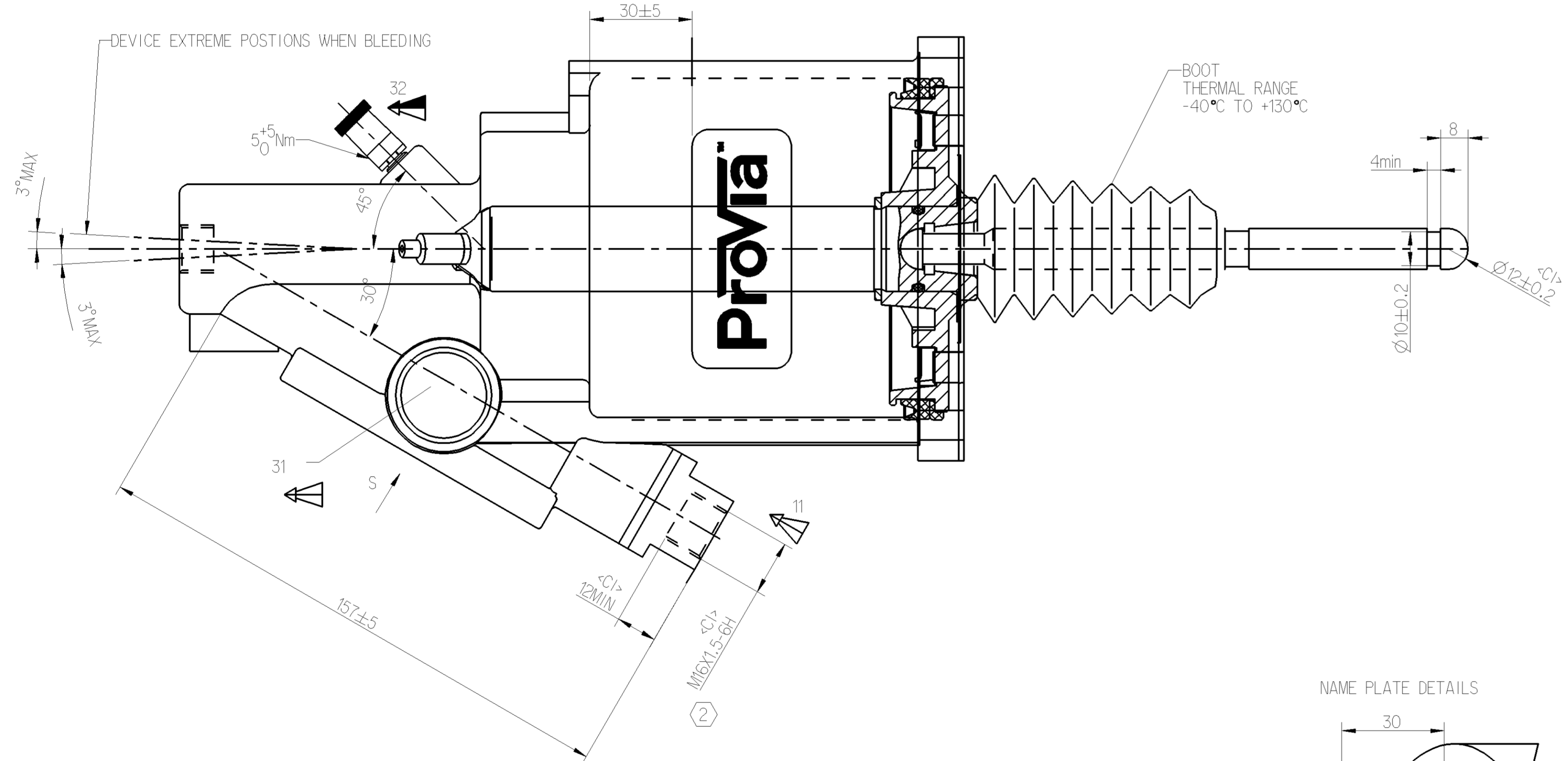
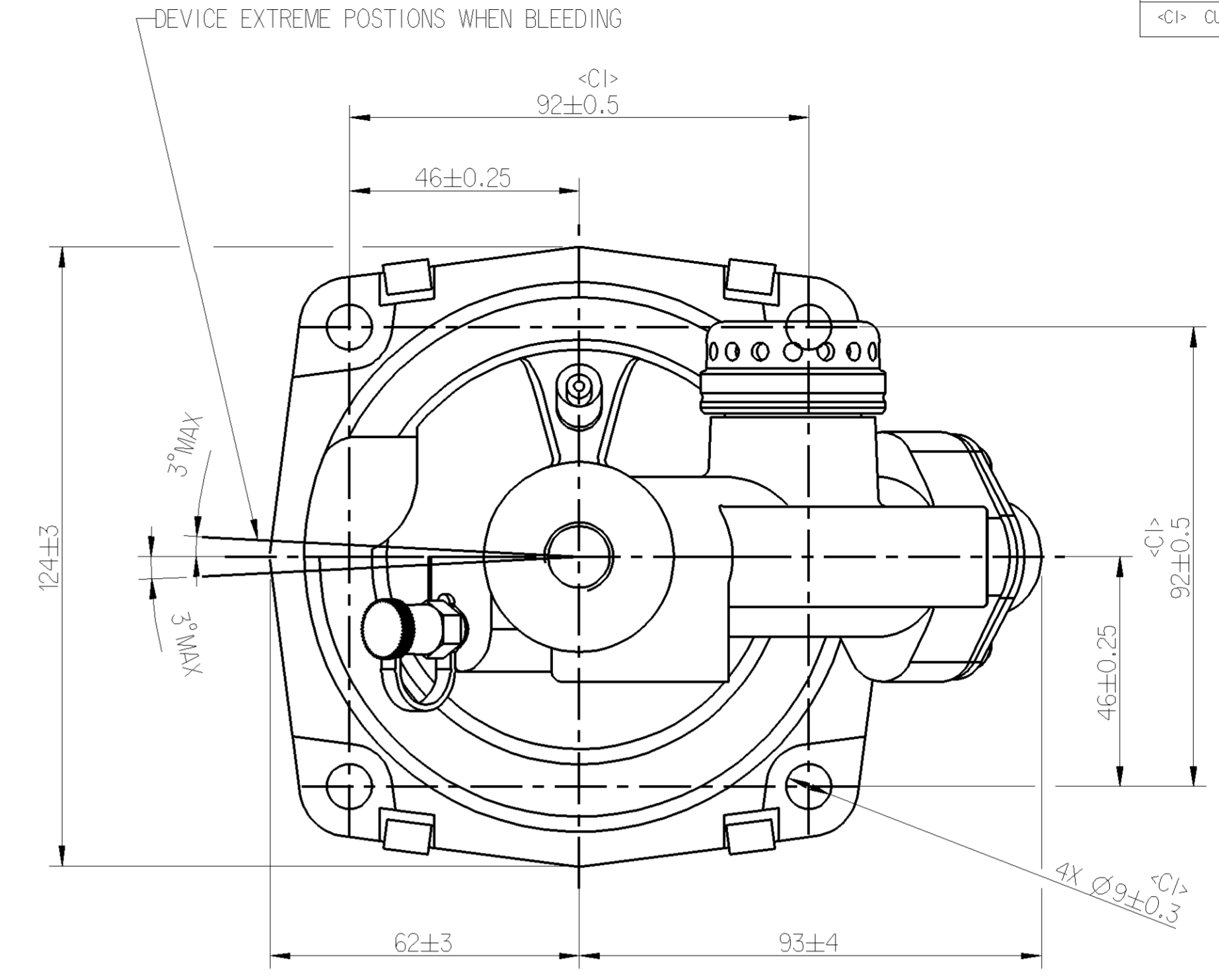
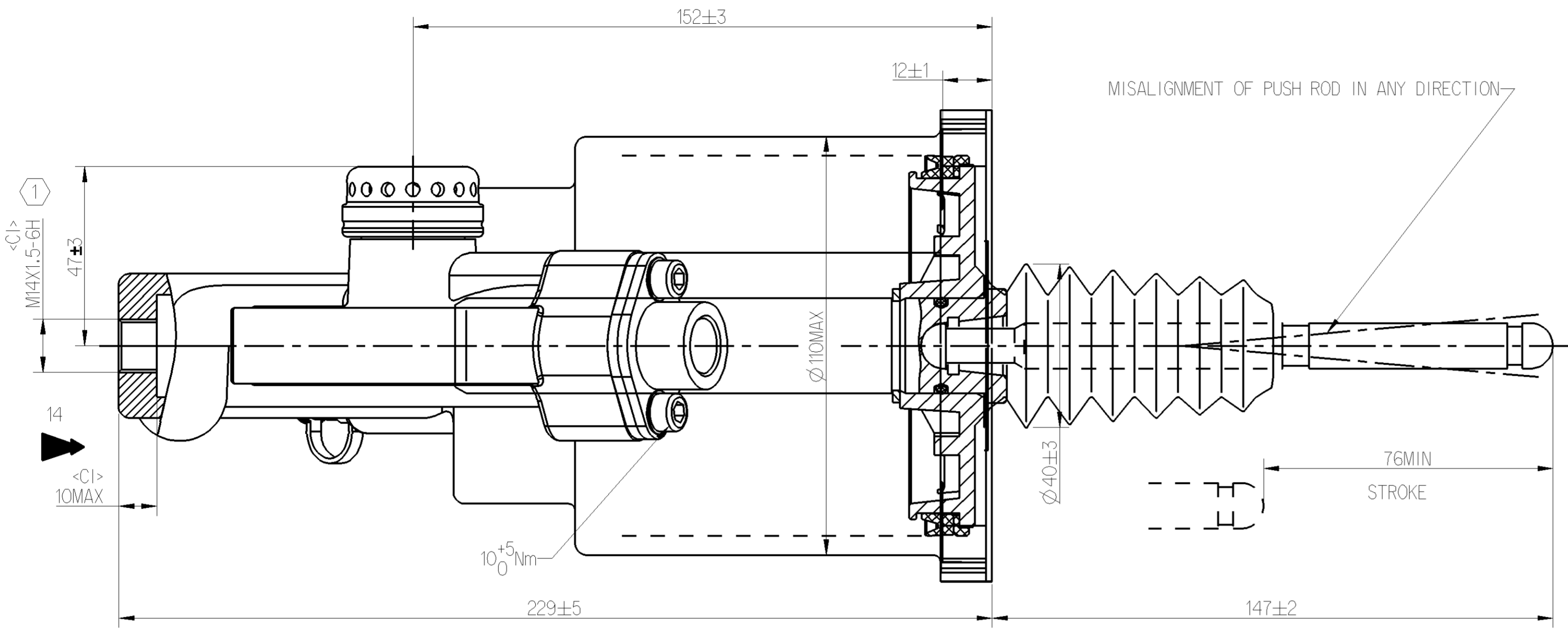


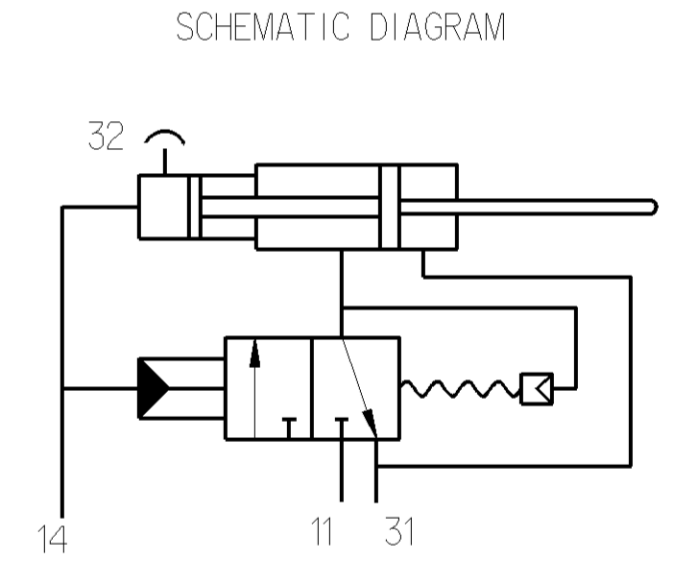
<P>	SAFETY CHARACTERISTICS	0
<S>	SIGNIFICANT CHARACTERISTICS	0
<CI>	CUSTOMER INTERFACE	8



TECHNICAL INFORMATION:

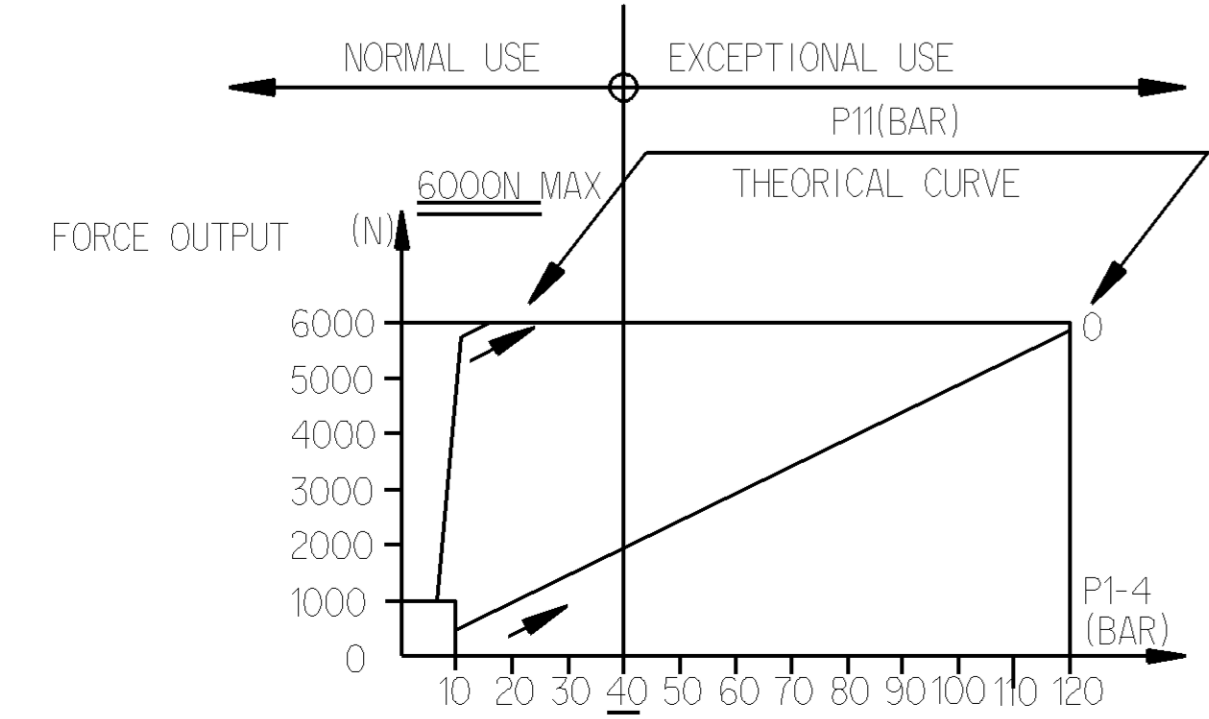
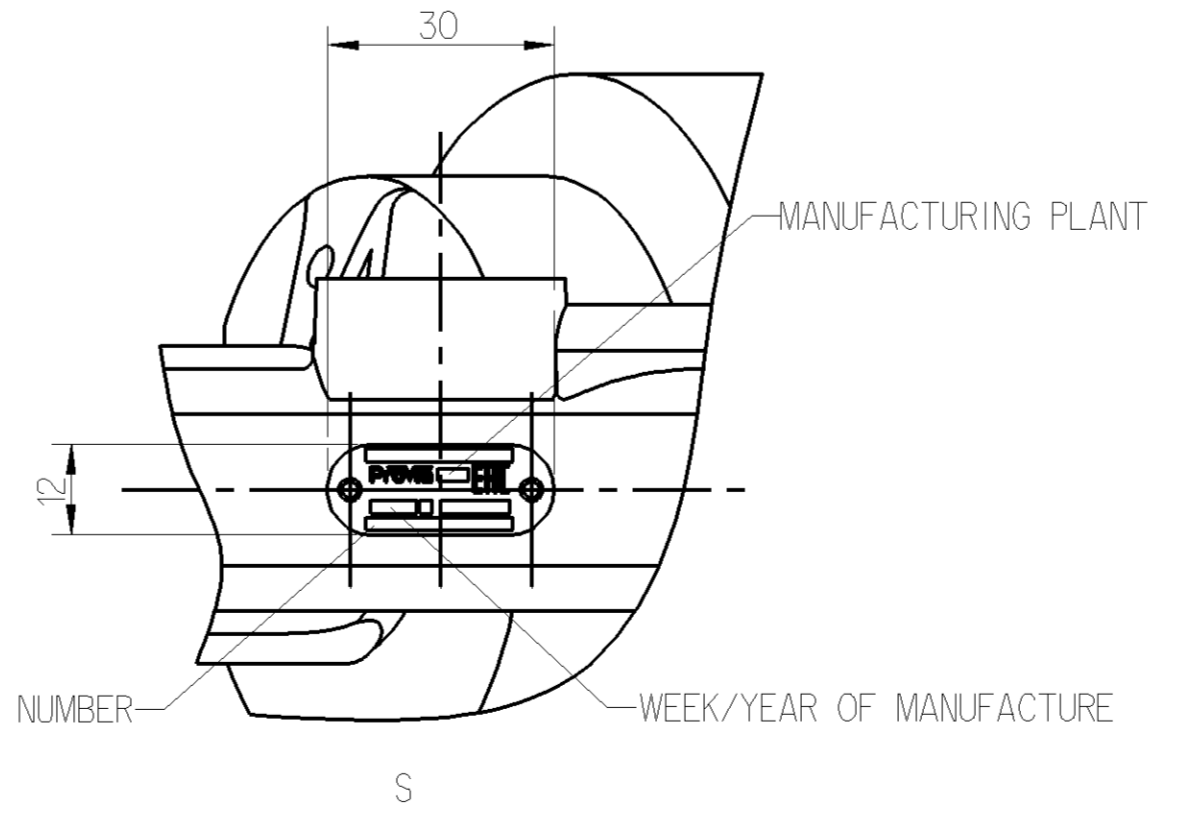
1. HYDRAULIC TANK DIAMETER : Ø25mm
2. AIR TANK DIAMETER : Ø100mm;
3. HYDRAULIC WORKING PRESSURE : 4MPa
4. HYDRAULIC WORKING PRESSURE : 12MPa MAX
5. AIR WORKING PRESSURE : 1MPa MAX
6. WORKING TEMPERATURE : -40°C TO +80°C
7. MEDIUM : BRAKE OIL, AIR

- ① TORQUE 25Nm MAX
- ② TORQUE 34Nm MAX



MARKING OF PORTS  
 11-AIR INLET  
 14-OIL INLET  
 31-AIR EXHAUST  
 32-BLEED SCREW

NAME PLATE DETAILS



General Specifications: JED-334-1 - Size ISO 14405 LP		Copyright WABCO®	
Further Technical Data: PRO 411 012 0		Date	Signature
Doc. Code: 035	Sheet: 1 To 5	2021-08-04	M.P.
General Tolerances JED-261		Checked	
Range of Nominal Dimensions ( ± mm)		2021-08-10 Verahachelvan	
Class	1)	≤ 50	> 50 &lt; 180
Fine	X	0.5	1.0 1.5 2.0
Medium	X	1.0 2.0 3.0 4.0	±3°
Coarse	X	2.0 3.5 5.0 6.5	
Tapped Holes acc. -		Thomas Blising	
1) Tolerance Class Applied Crossmarked		Mass	Scale
		2.7	NTS
		Size	CAD System
		A 1	CREO
		Material No.	
		PRO 411 012 0	
		Date of first issue:	2021-08-10
		Doc.Code	Language
		005	EN
		Sheet	
		1/1	
		Ech.No.	
		Revision	
		5630_AM	
		Techn. Resp.	
		Replacement for	

Non è permesso copiare o riprodurre questo documento, né utilizzare il contenuto o i marchi communi o terzi senza permesso scritto dalla WABCO. È vietata espressamente la ristampa o l'uso non autorizzato. Toute réimpression ou utilisation non autorisée sans la permission écrite de la WABCO est formellement interdite. Toute réimpression ou utilisation non autorisée sans la permission écrite de la WABCO est formellement interdite. All rights reserved. No part of this document may be reproduced, stored in a retrieval system, or transmitted in any form or by any means, electronic, mechanical, photocopying, recording, or by any information storage and retrieval system, without the prior written permission of WABCO. All rights reserved. No part of this document may be reproduced, stored in a retrieval system, or transmitted in any form or by any means, electronic, mechanical, photocopying, recording, or by any information storage and retrieval system, without the prior written permission of WABCO.