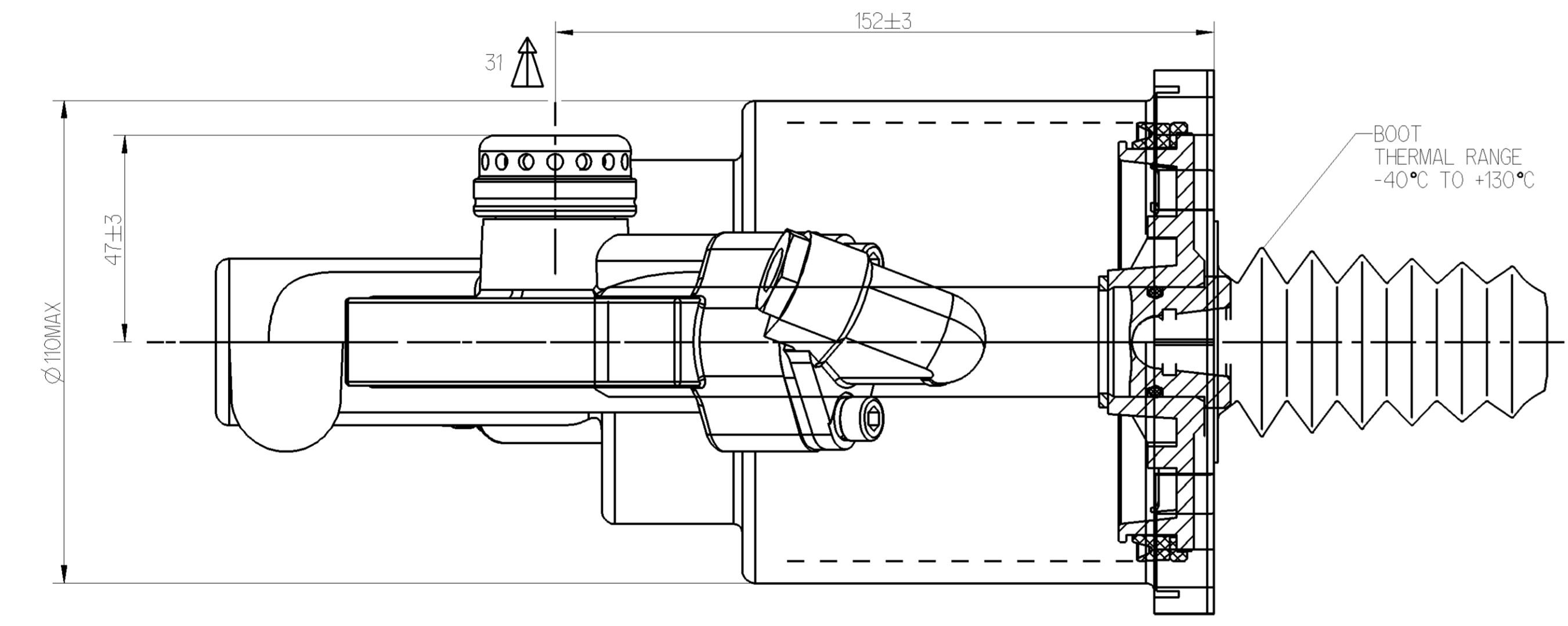
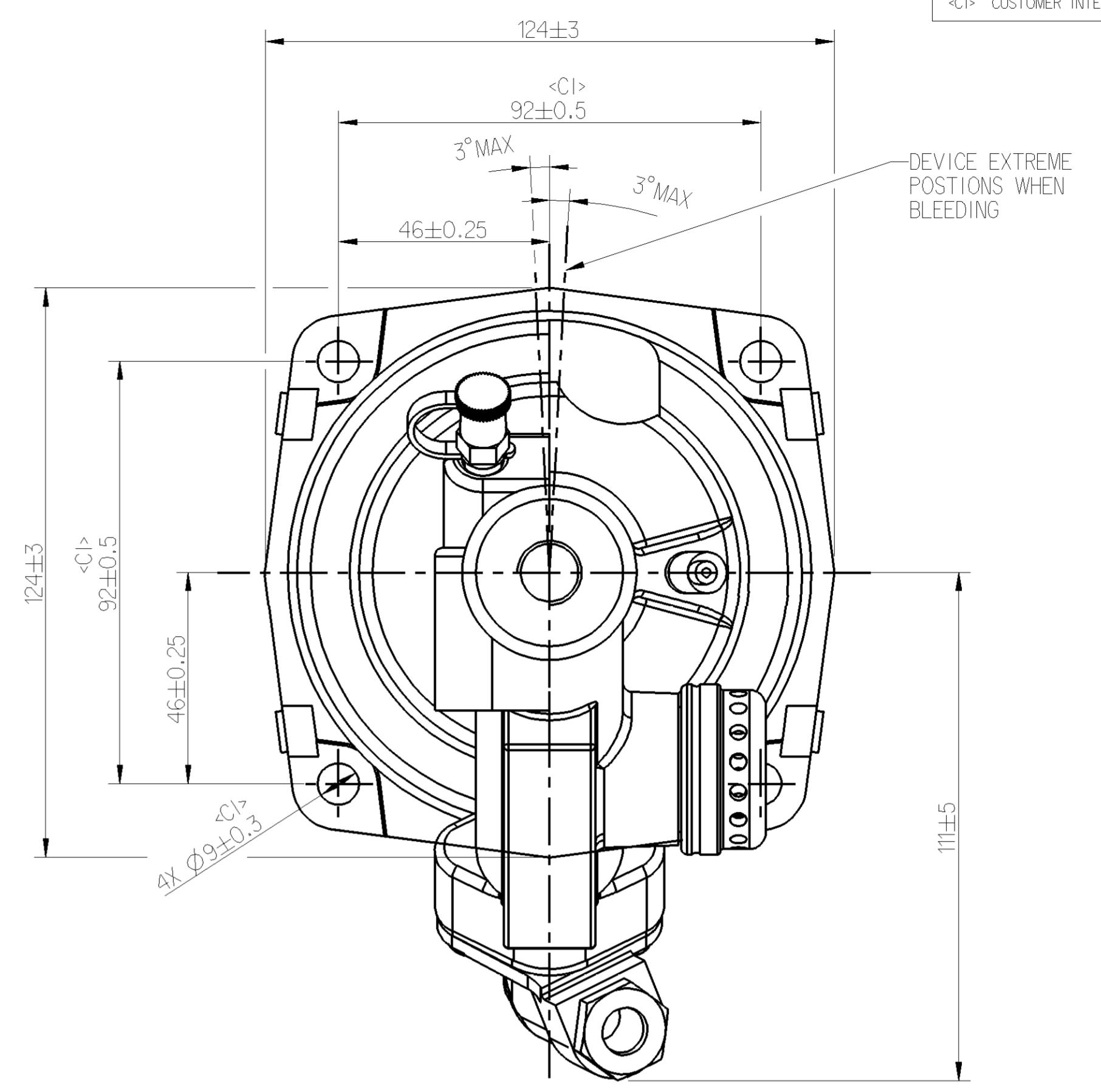
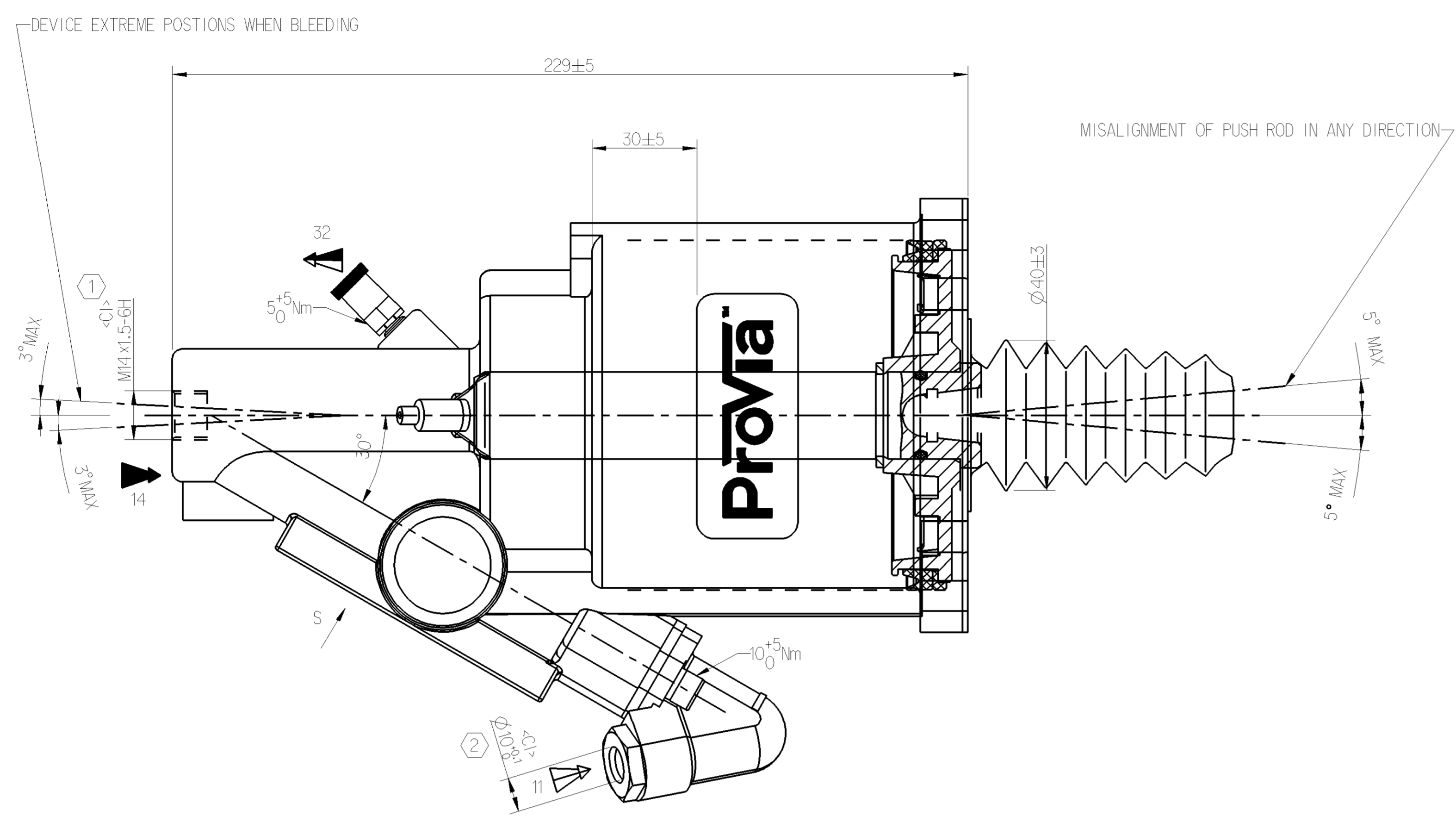


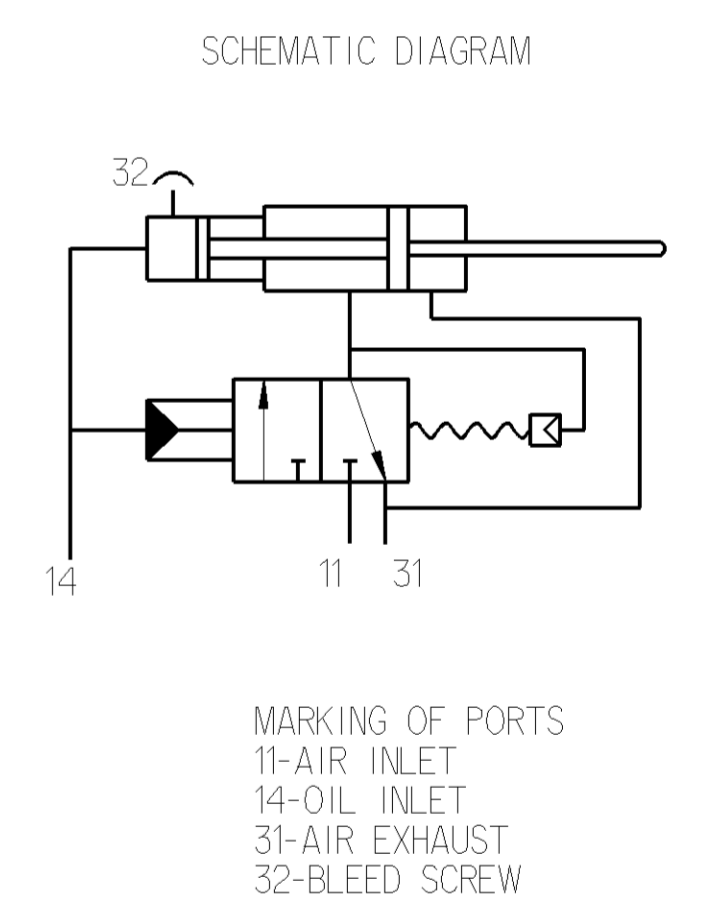
<P> SAFETY CHARACTERISTICS	0
<S> SIGNIFICANT CHARACTERISTICS	0
<CI> CUSTOMER INTERFACE	5



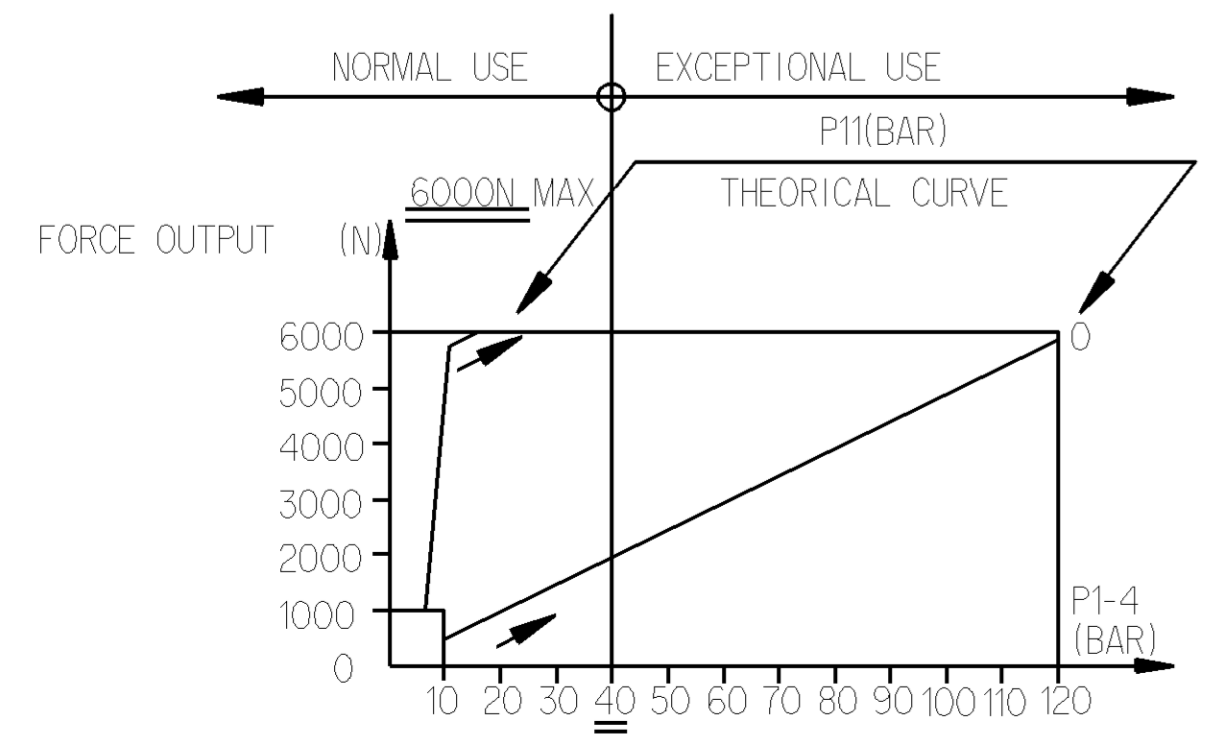
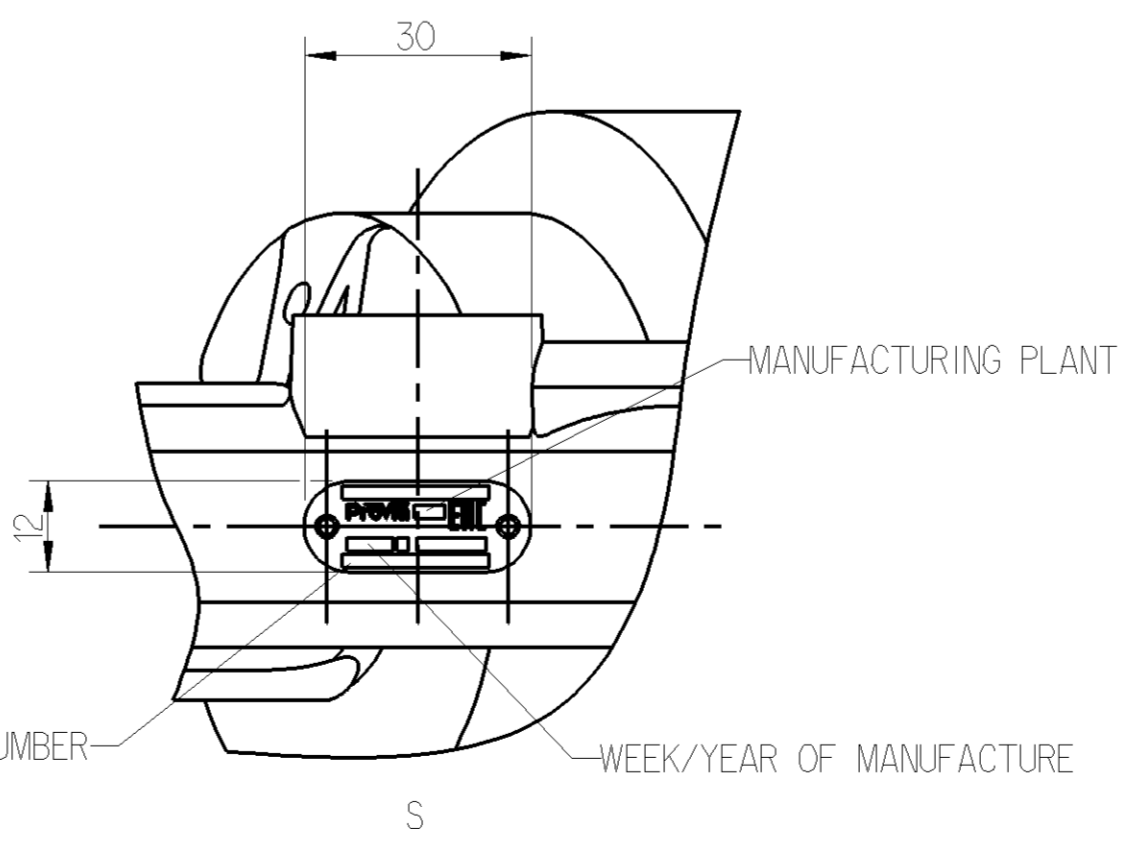
TECHNICAL INFORMATION:

1. HYDRAULIC TANK DIAMETER : Ø22mm
2. AIR TANK DIAMETER : Ø100mm;
3. HYDRAULIC WORKING PRESSURE : 4MPa
4. HYDRAULIC WORKING PRESSURE : 12MPa MAX
5. AIR WORKING PRESSURE : 1MPa MAX
6. WORKING TEMPERATURE : -40°C TO +80°C
7. MEDIUM : BRAKE OIL, AIR
8. WORKING STROKE : MAX 77mm

- ① TORQUE 25Nm MAX
- ② TORQUE 34Nm MAX



NAME PLATE DETAILS



General Specifications: JED-334-1 - Size ISO 14405 LP		Copyright WABCO®	
Further Technical Data: PRO 411 017 0		Date	Signature
Doc. Code: 035	Sheet: 1 To 5	2021-08-16	M.P.
General Tolerances JED-261		Checked	
Range of Nominal Dimensions (± mm)		2021-08-17 Yerachelvan	
Class	1) ≤ 50	> 50 > 180	> 180 > 400
Fine	0.5	1.0	1.5
Medium	1.0	2.0	3.0
Coarse	2.0	3.5	5.0
Tapped Holes acc. -		±3°	
1) Tolerance Class Applied Crossmarked		Mass	Scale
		2.7	NTS
		Size	CAD System
		A 1	CREO
		Material No.	
		PRO 411 015 0	
		Date of first issue	2021-08-17
		Doc. Code	Language
		005	EN
		Sheet	1/1
		Ech. No.	
		Revision	
		5630_AM	
		Techn. Resp.	
		Replacement for	

Non è permesso copiare o riprodurre questo documento, né utilizzare i contenuti a fini commerciali, senza permesso scritto dalla WABCO. È vietata espressamente la ristampa o l'uso non autorizzato. Toute réimpression ou utilisation non autorisée sans la permission écrite de la WABCO est formellement interdite. Toute utilisation non autorisée sera considérée comme acte de contrefaçon et sera poursuivie en justice.