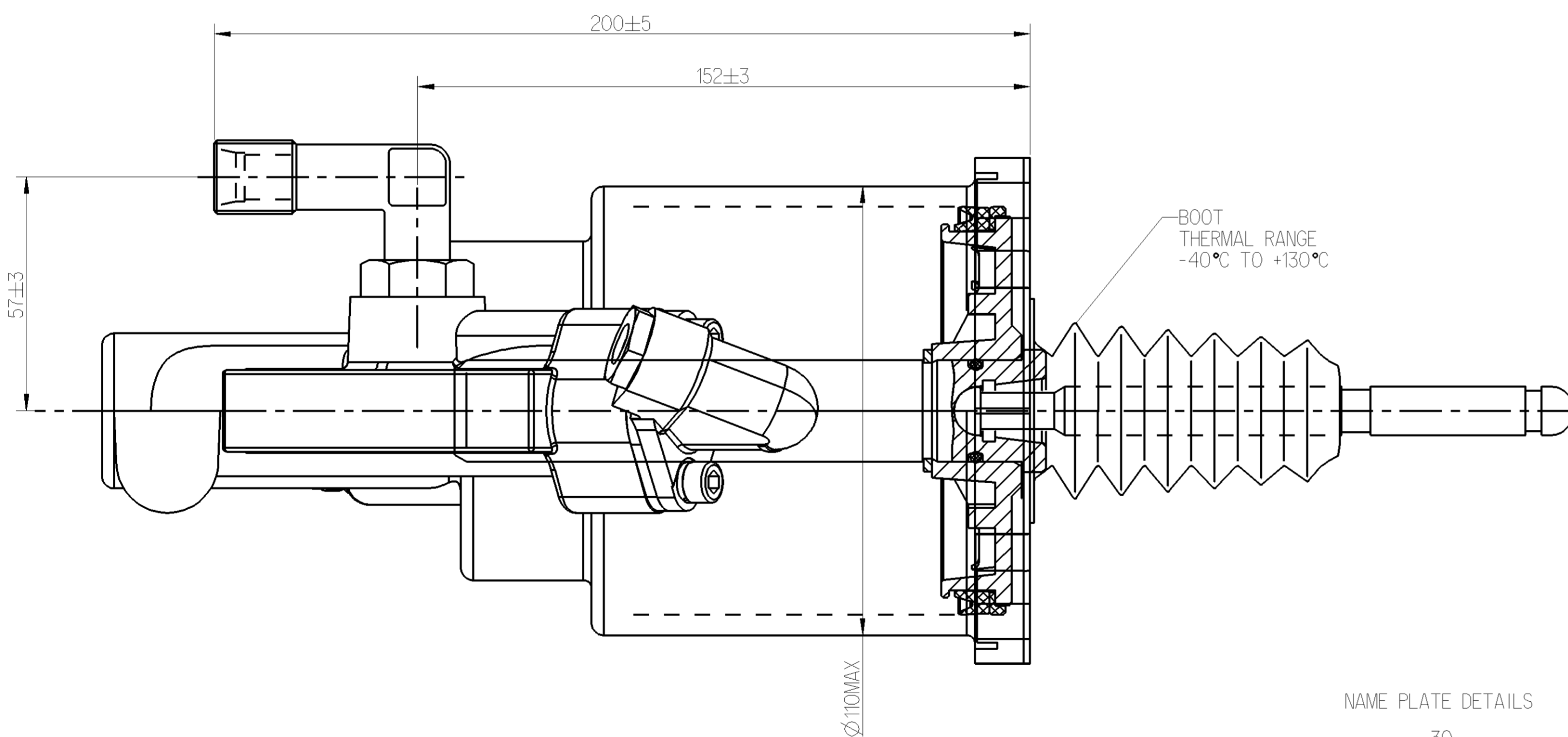
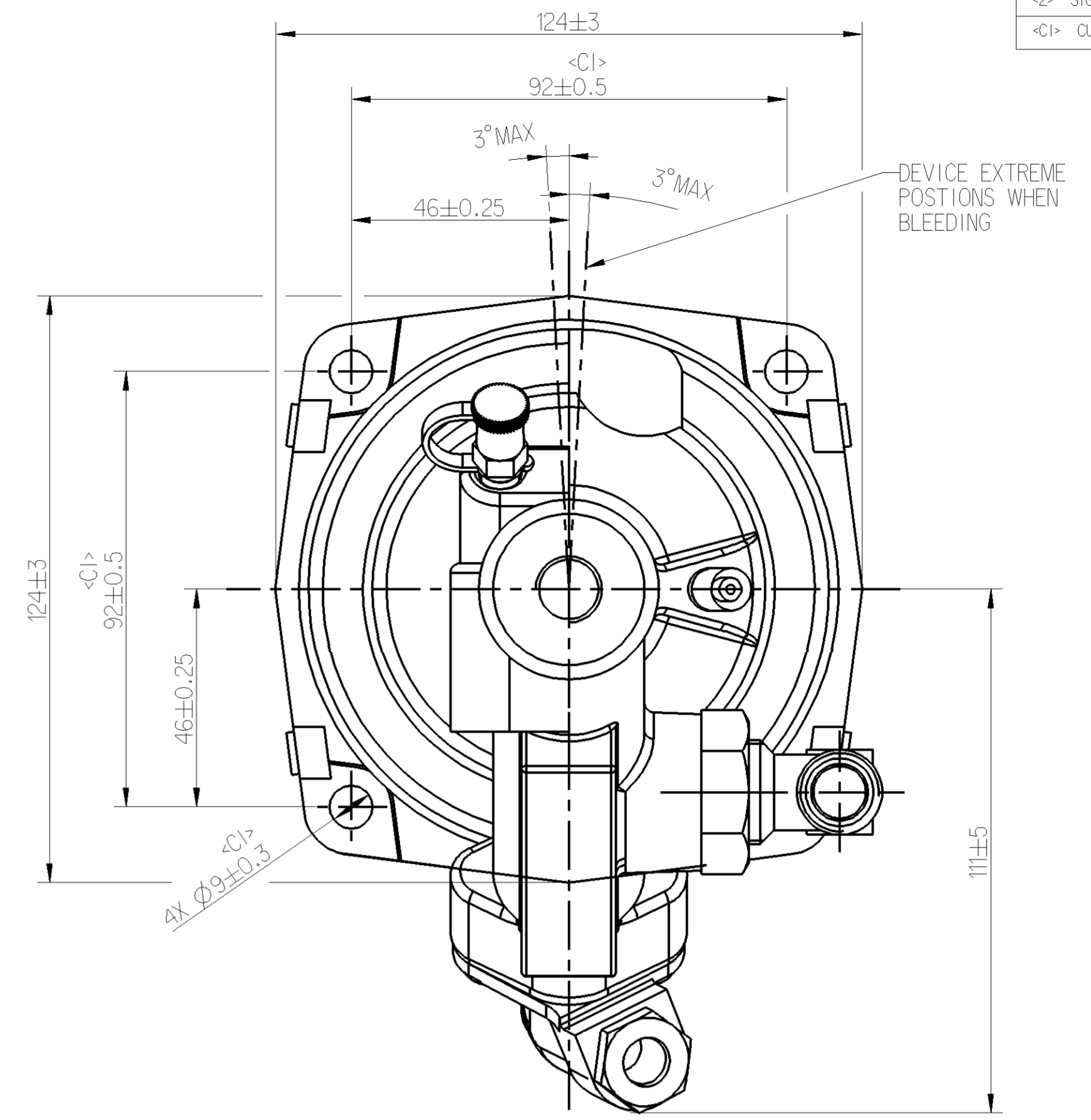
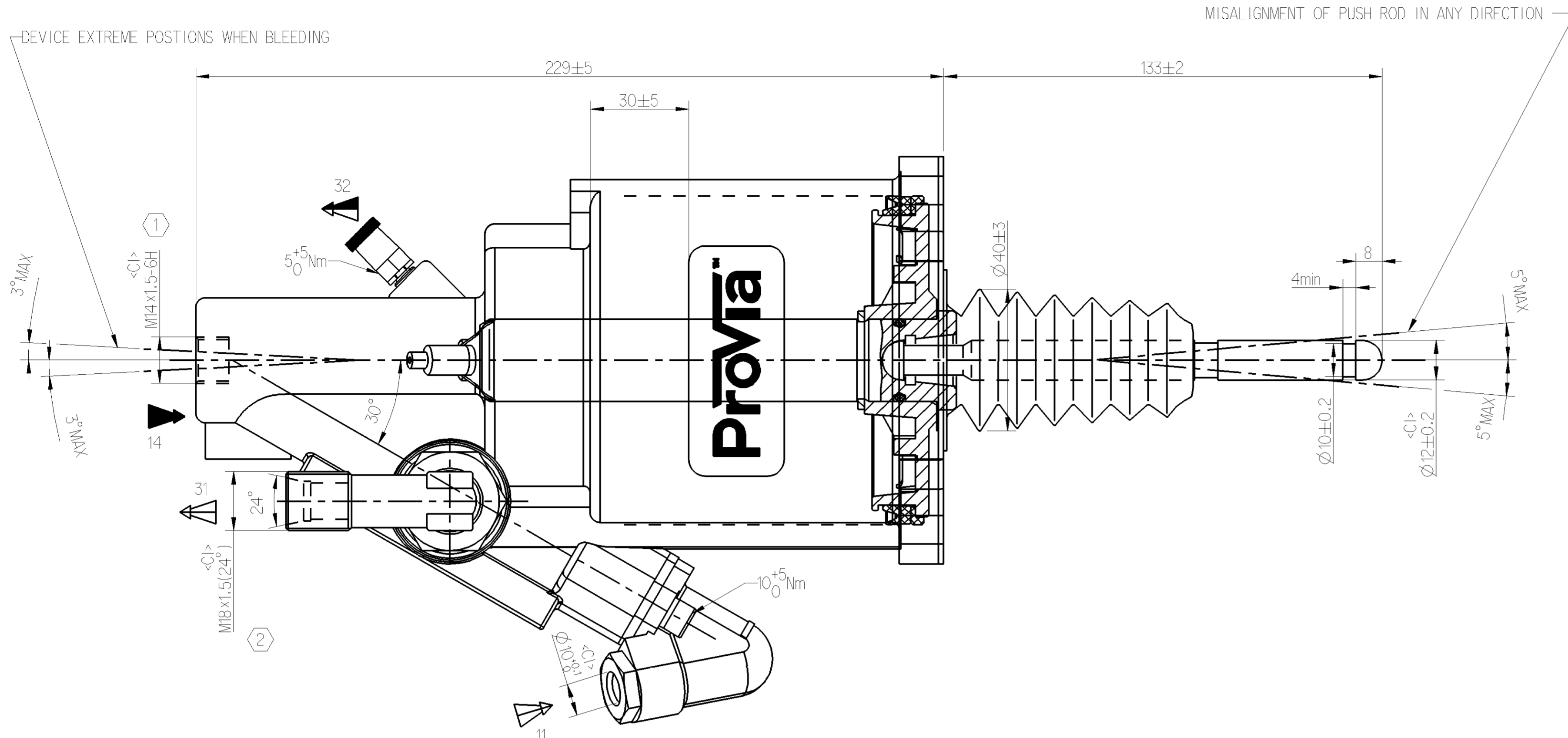
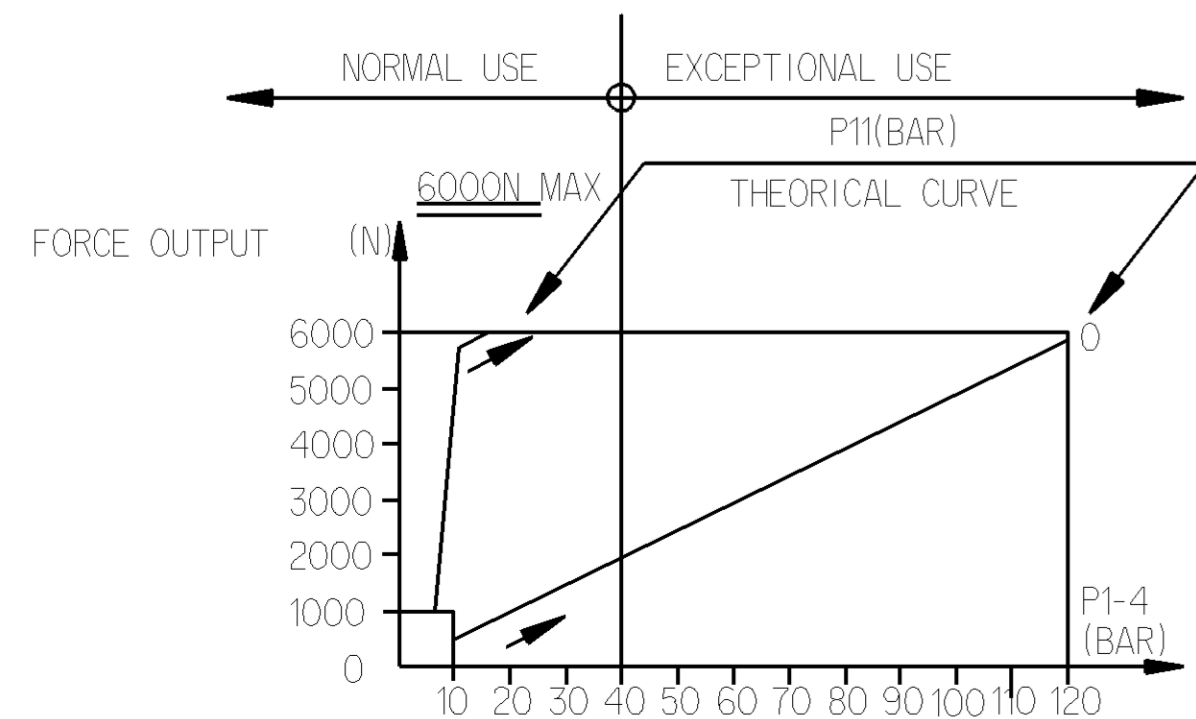
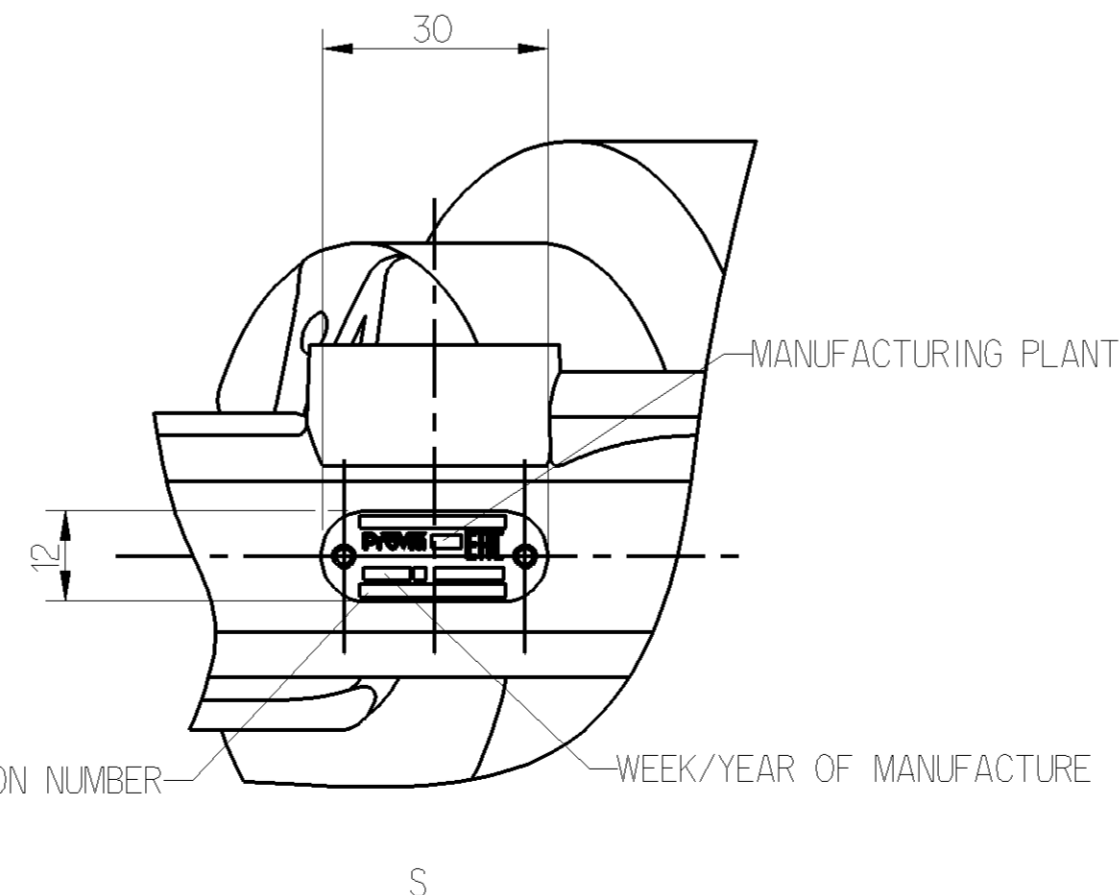


<P> SAFETY CHARACTERISTICS	0
<S> SIGNIFICANT CHARACTERISTICS	0
<CI> CUSTOMER INTERFACE	7



NAME PLATE DETAILS

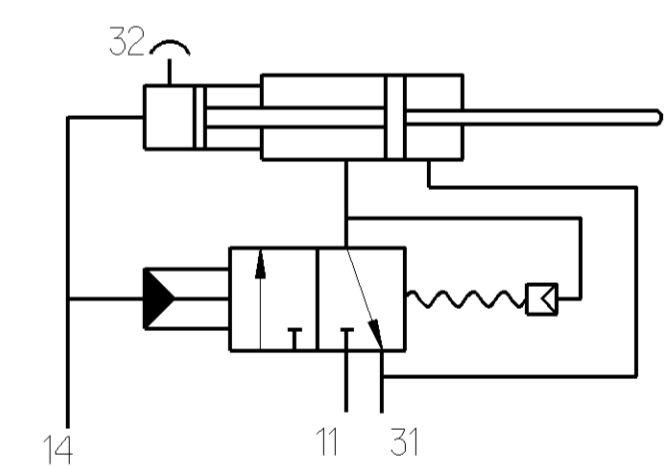


TECHNICAL INFORMATION:

1. HYDRAULIC TANK DIAMETER :  $\varnothing 22\text{mm}$
2. AIR TANK DIAMETER :  $\varnothing 10\text{mm}$
3. HYDRAULIC WORKING PRESSURE : 4MPa
4. HYDRAULIC WORKING PRESSURE : 12MPa MAX
5. AIR WORKING PRESSURE : 1MPa MAX
6. WORKING TEMPERATURE : -40°C TO +80°C
7. MEDIUM : BRAKE OIL, AIR
8. WORKING STROKE : MAX 77mm

- ① TORQUE 25Nm MAX
- ② TORQUE 34Nm MAX

SCHEMATIC DIAGRAM



MARKING OF PORTS  
11-AIR INLET  
14-OIL INLET  
31-AIR EXHAUST  
32-BLEED SCREW

General Specifications: JED-334-1 - Size ISO 14405 LP		Copyright WABCO®	
Further Technical Data: PRO 411 016 0		Date	Signature
Doc. Code: 035	Sheet: 1 To 5	2021-08-10	M.P.
General Tolerances JED-261		Checked	
Range of Nominal Dimensions ( ± mm)		2021-08-10 Verahachelvan	
Class	1)	Expert	
Fine	0.5 1.0 1.5 2.0	Thomas Blising	
Medium	1.0 2.0 3.0 4.0	Mass	Scale
Coarse	2.0 3.5 5.0 6.5	2.8	NTS
Tapped Holes acc. -		Size	CAD System
1) Tolerance Class Applied Crossmarked		A 1	CREO
Material No.:		Date of first issue: 2021-08-10	
PRO 411 016 0		Doc.Code	Language
005 EN		Revision	5630_AM
1/1		Techn. Resp.	Replacement for
100mm			

Non è permesso copiare o riprodurre questo documento, né utilizzare il contenuto in modo commerciale o per fini di lucro. È vietata espressamente la ristampa o l'uso non autorizzato senza permesso scritto dalla WABCO. Toute réimpression ou reproduction de ce document, toute exploitation ou communication de son contenu sont interdites, sauf autorisation écrite de la WABCO. Toute utilisation commerciale ou à fins de profit est formellement interdite. Toute réimpression ou utilisation non autorisée sans la permission écrite de la WABCO est formellement interdite. Copies of this document and giving it to others and the use or communication of the contents thereof, are forbidden without express permission in writing from WABCO. All rights reserved. No part of this document may be reproduced or transmitted in any form or by any means electronic, mechanical, photocopying, recording, or by any information storage or retrieval system without the prior written permission of WABCO.