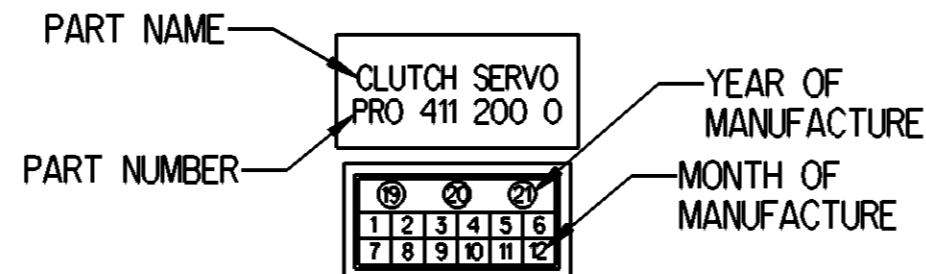
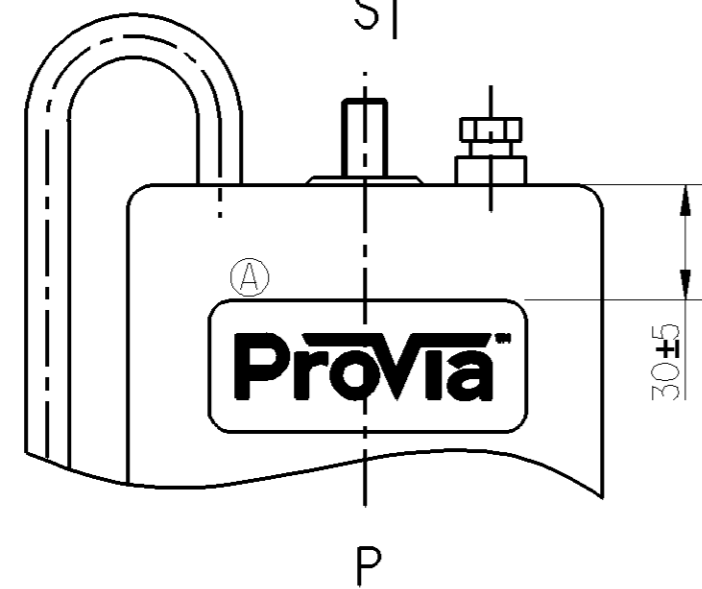
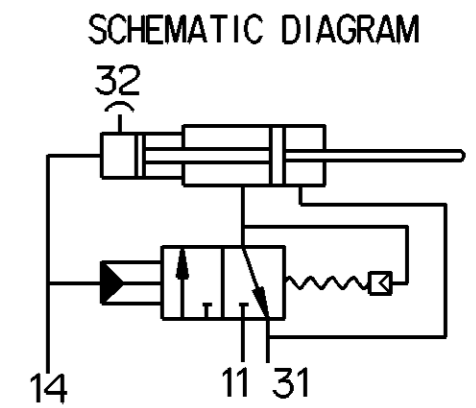
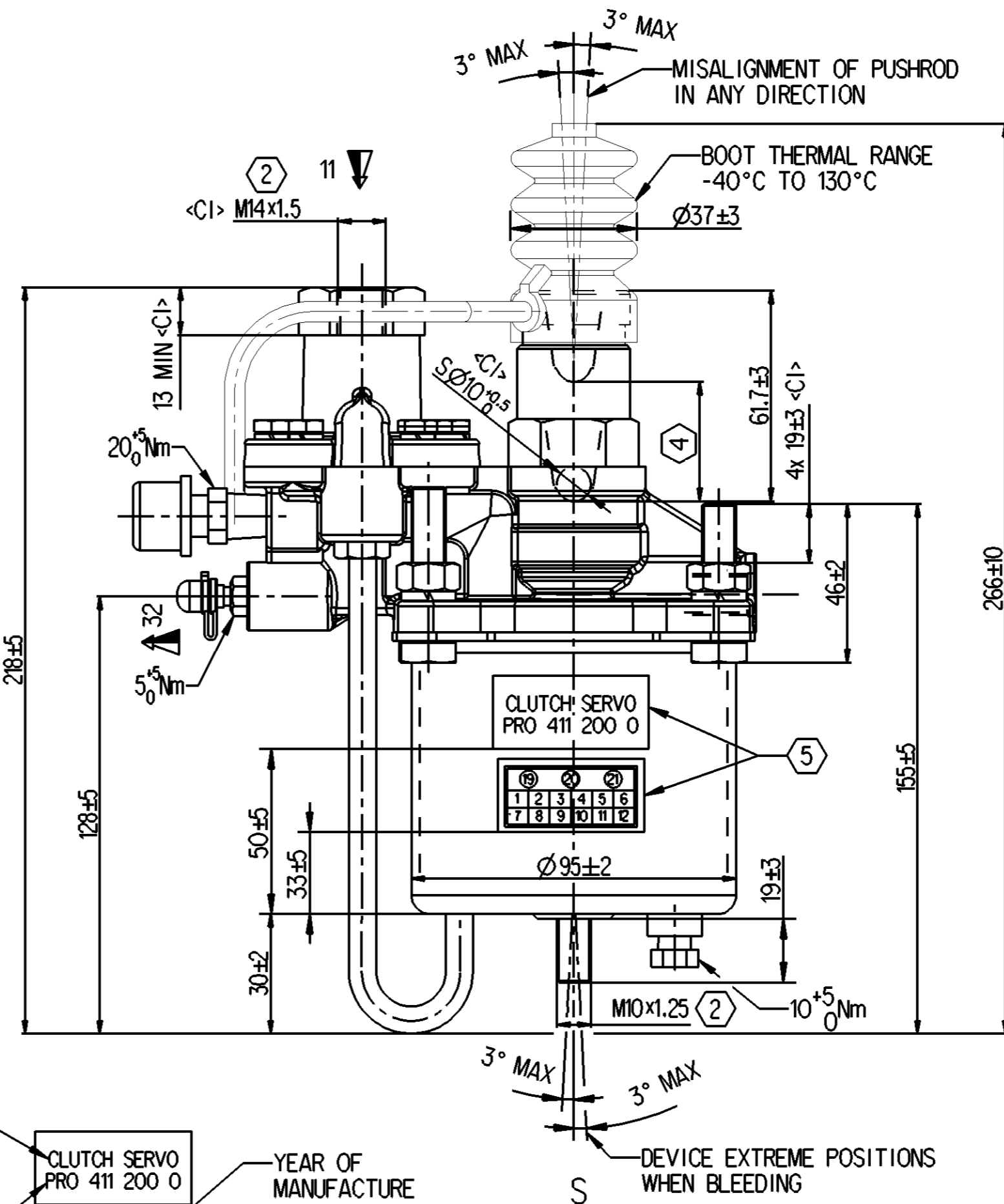
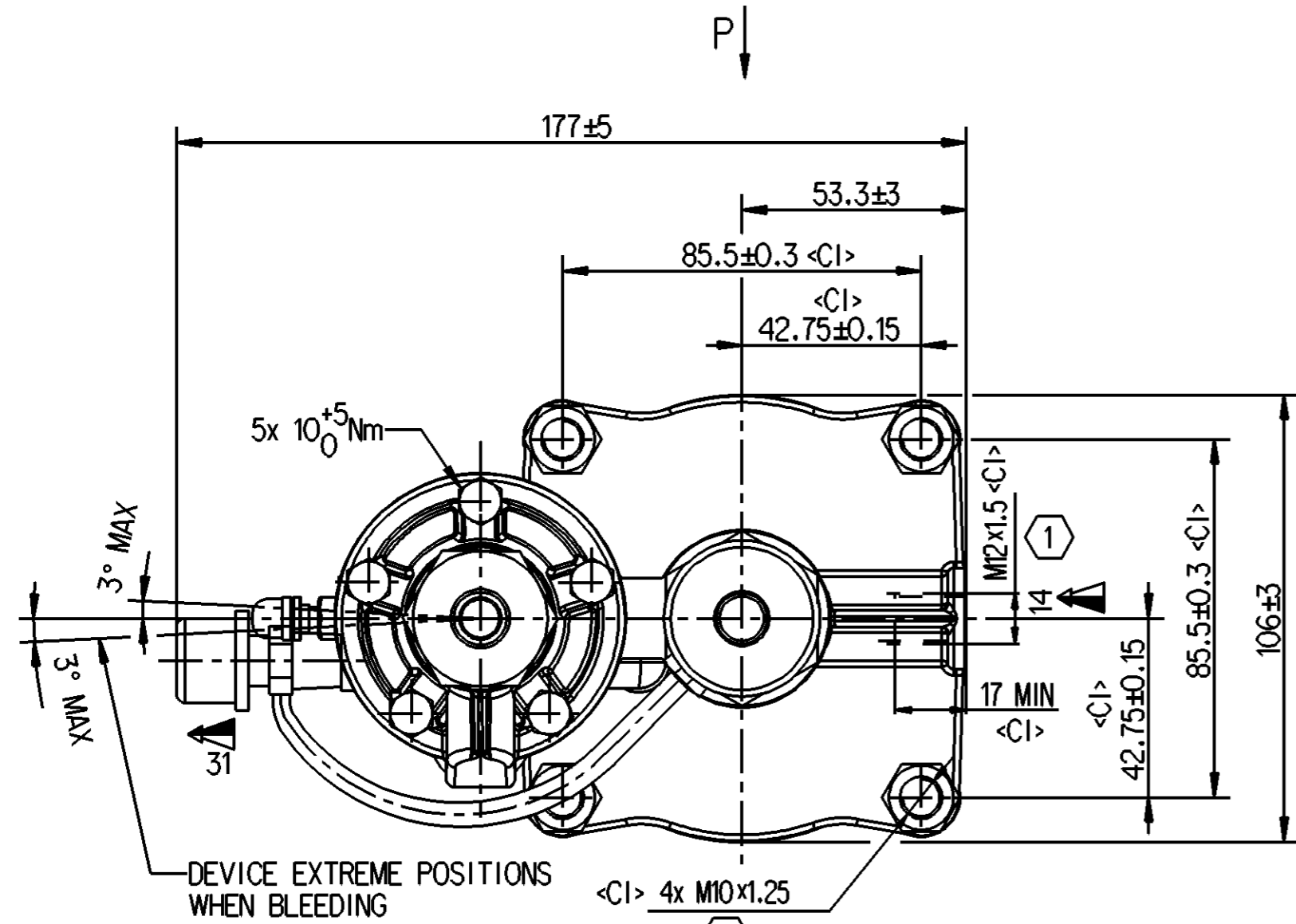
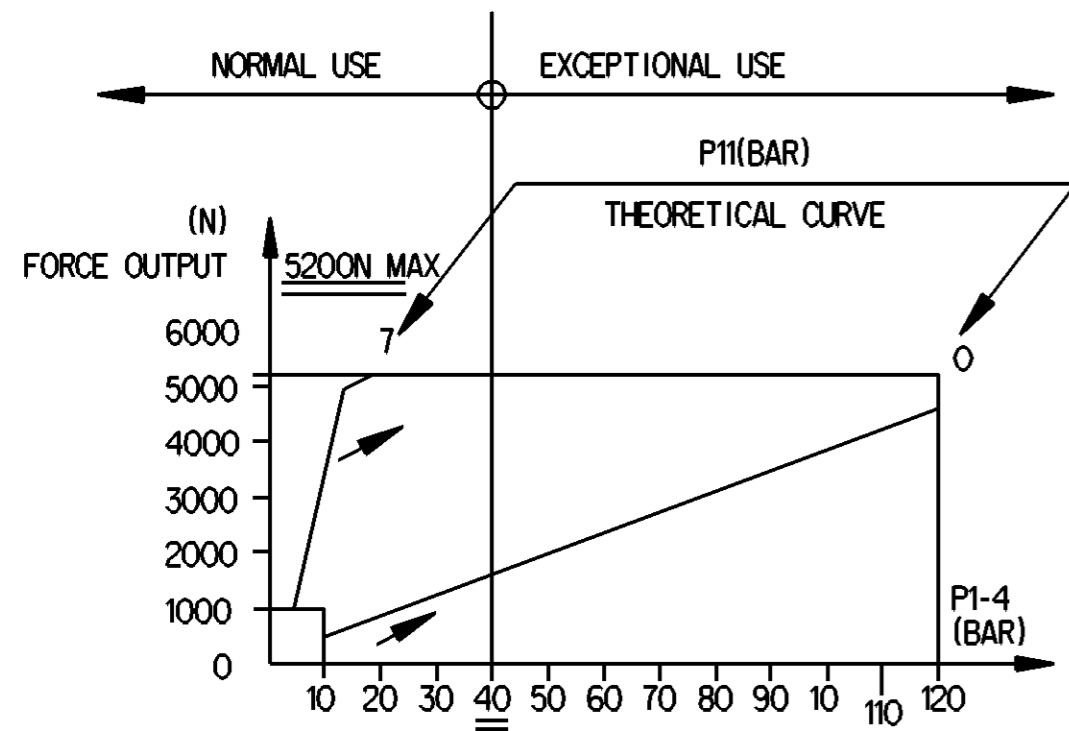


<1> SAFETY CHARACTERISTICS	0
<2> SIGNIFICANT CHARACTERISTICS	0
<CI> CUSTOMER INTERFACE	11



5 STICKER DETAILS



- NOTES:
1. HYDRAULIC TANK DIA: $\varnothing 22.22\text{mm}$;
 2. AIR TANK DIA: $\varnothing 90\text{mm}$;
 3. HYDRAULIC WORKING PRESSURE: 4MPa;
 4. HYDRAULIC WORKING PRESSURE MAX: 12MPa;
 5. AIR WORKING PRESSURE MAX: 1MPa;
 6. WORKING TEMPERATURE: -40 TO +80°C;
 7. MEDIUM: BRAKE OIL, AIR
 8. STROKE LENGTH: 35±3mm

- 1 TORQUE 21Nm MAX
- 2 TORQUE 25Nm MAX
- 3 TORQUE 44Nm MAX

MARKING OF PORTS
 11-AIR INLET
 14-OIL INLET
 31-AIR EXHAUST
 32-BLEED SCREW

General Specification: JED-334-1, Size ISO 14405 LP		Copyright WABCO®		ProVia	
Further Technical Data: PRO 411 100 0		Date	Signature	CLUTCH SERVO - 90 mm	
Doc. Code: 035	Sheet: 1 To 5	2020-09-23	M.P.		
General Tolerances JED-261		Checked	2020-10-06	Yerahochelvan	
Range of Nominal Dimensions (± mm)		Expert		Thomas Bilising	
Class 1)	≤ 50	> 50 ≤ 180	> 180 ≤ 400	> 400	±3°
Fine	0.5	1.0	1.5	2.0	2.11 kg
Medium	X 1.0	2.0	3.0	4.0	
Coarse	2.0	3.5	5.0	6.5	
Tapped Holes acc. -		Mass	Scale	Material No.	
1) Tolerance Class Applied Crossmarked		A 2	CREO	PRO 411 200 0	
		ECN-No.	Revision	Techn. Resp.	Replacement for
		505802	1x A	5630_AM	
		Date of first issue: 2020-04-03	Doc.Code		Language
		005		EN	1/1