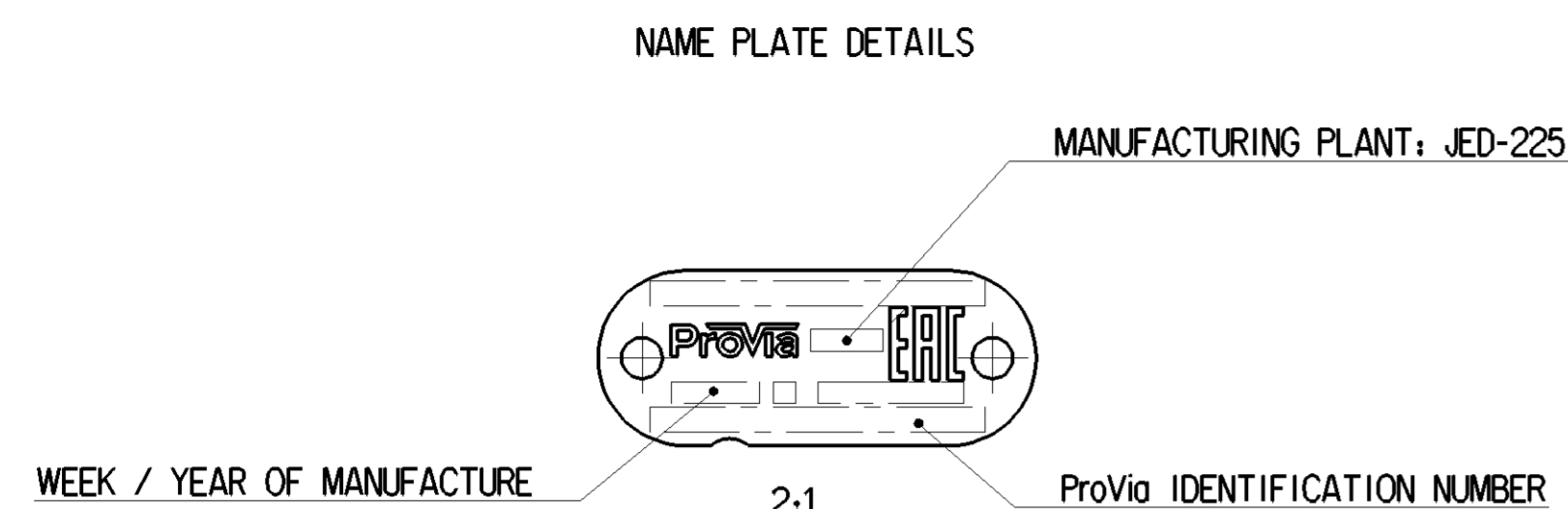
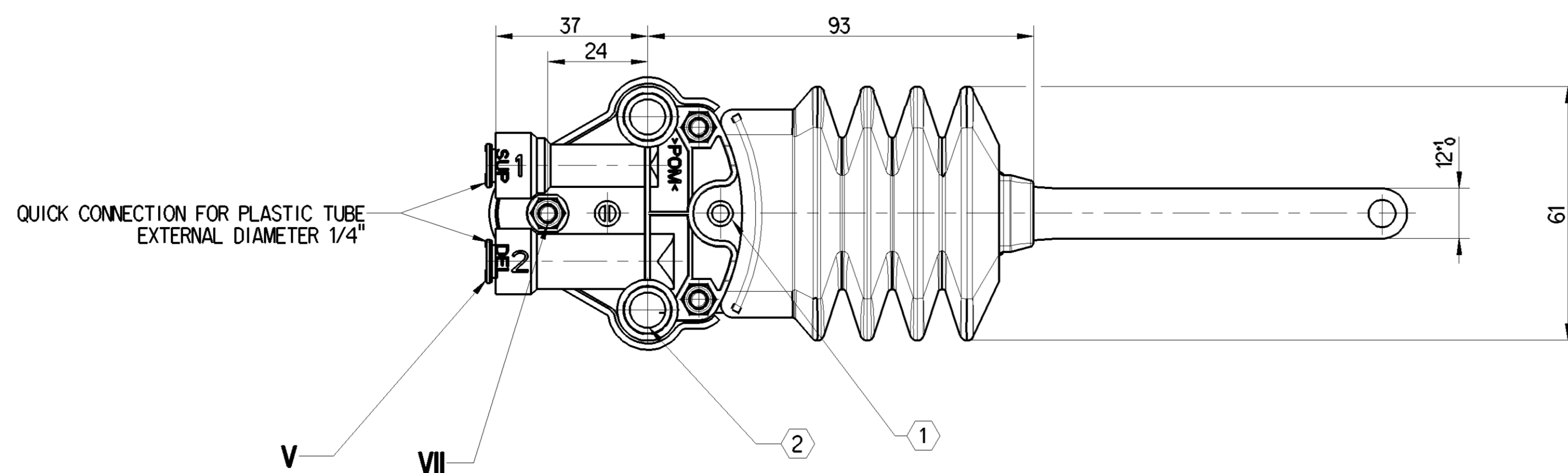
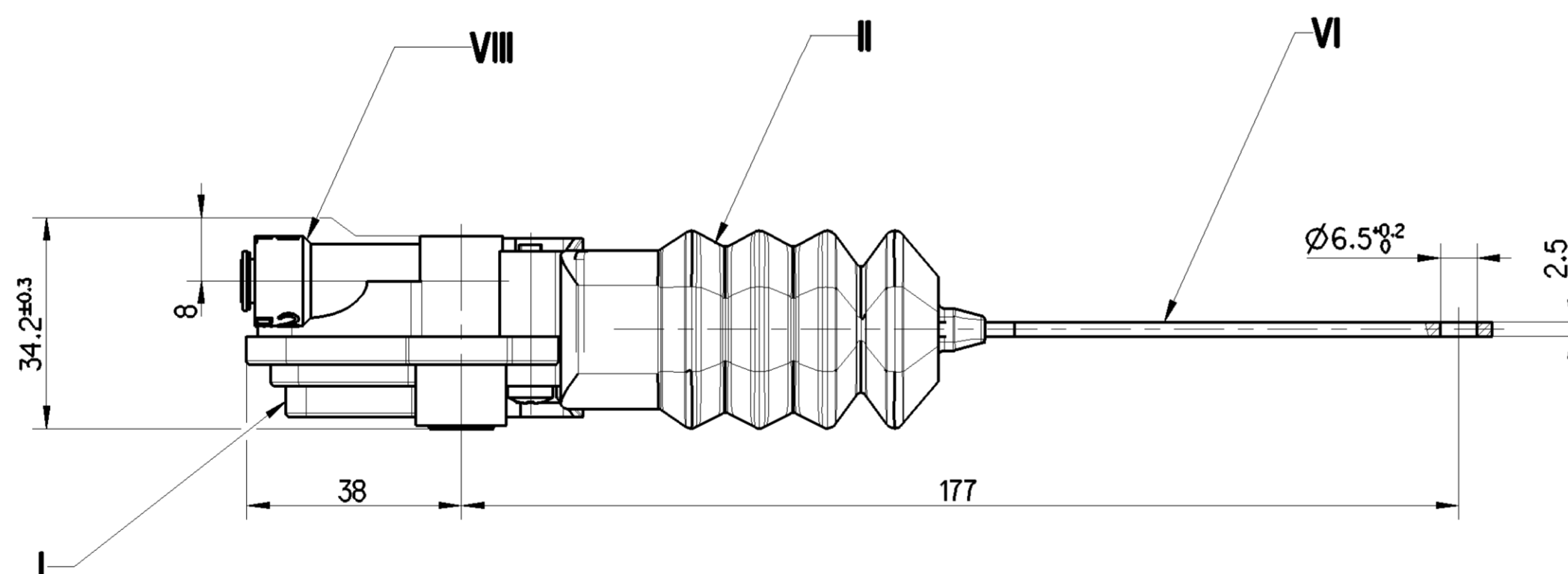
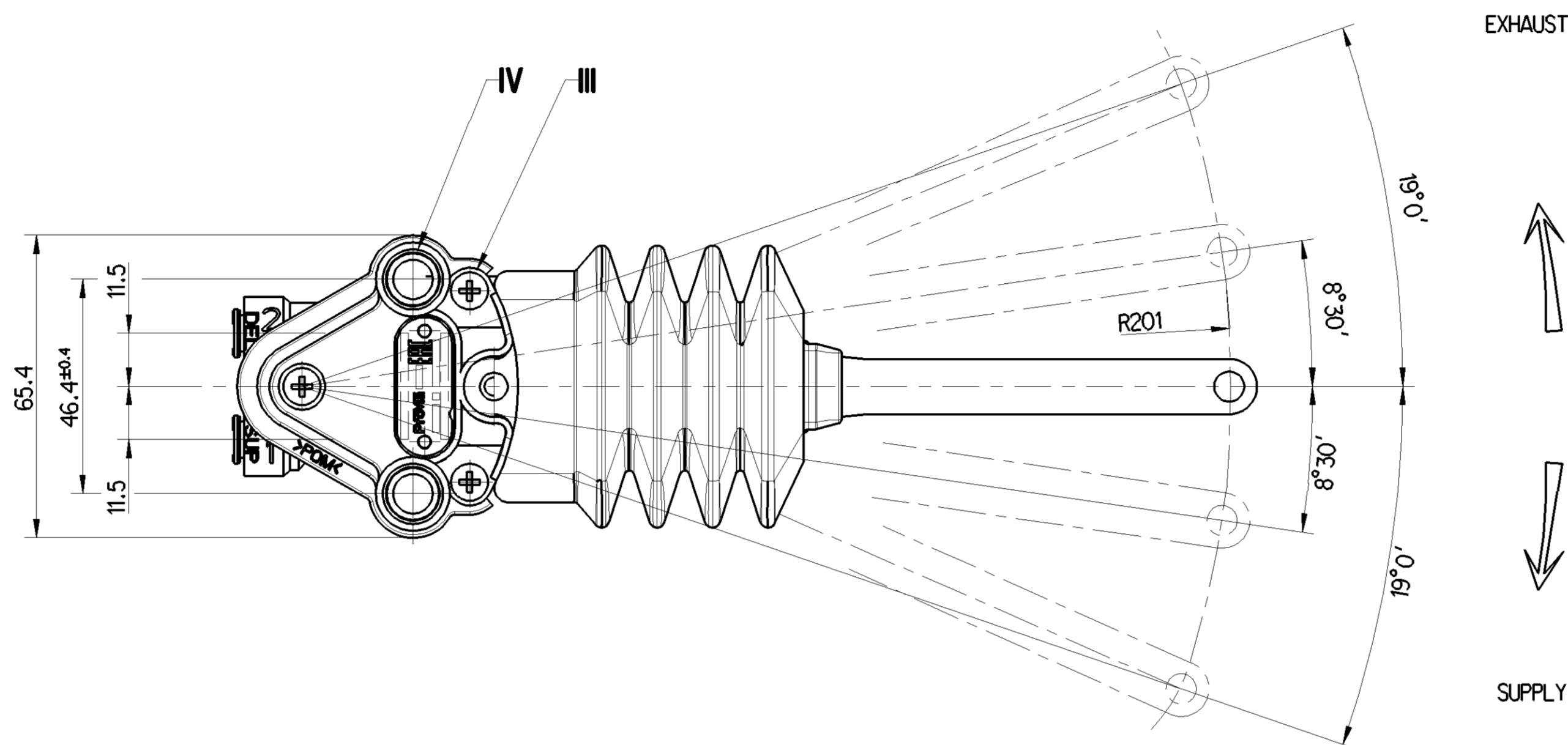
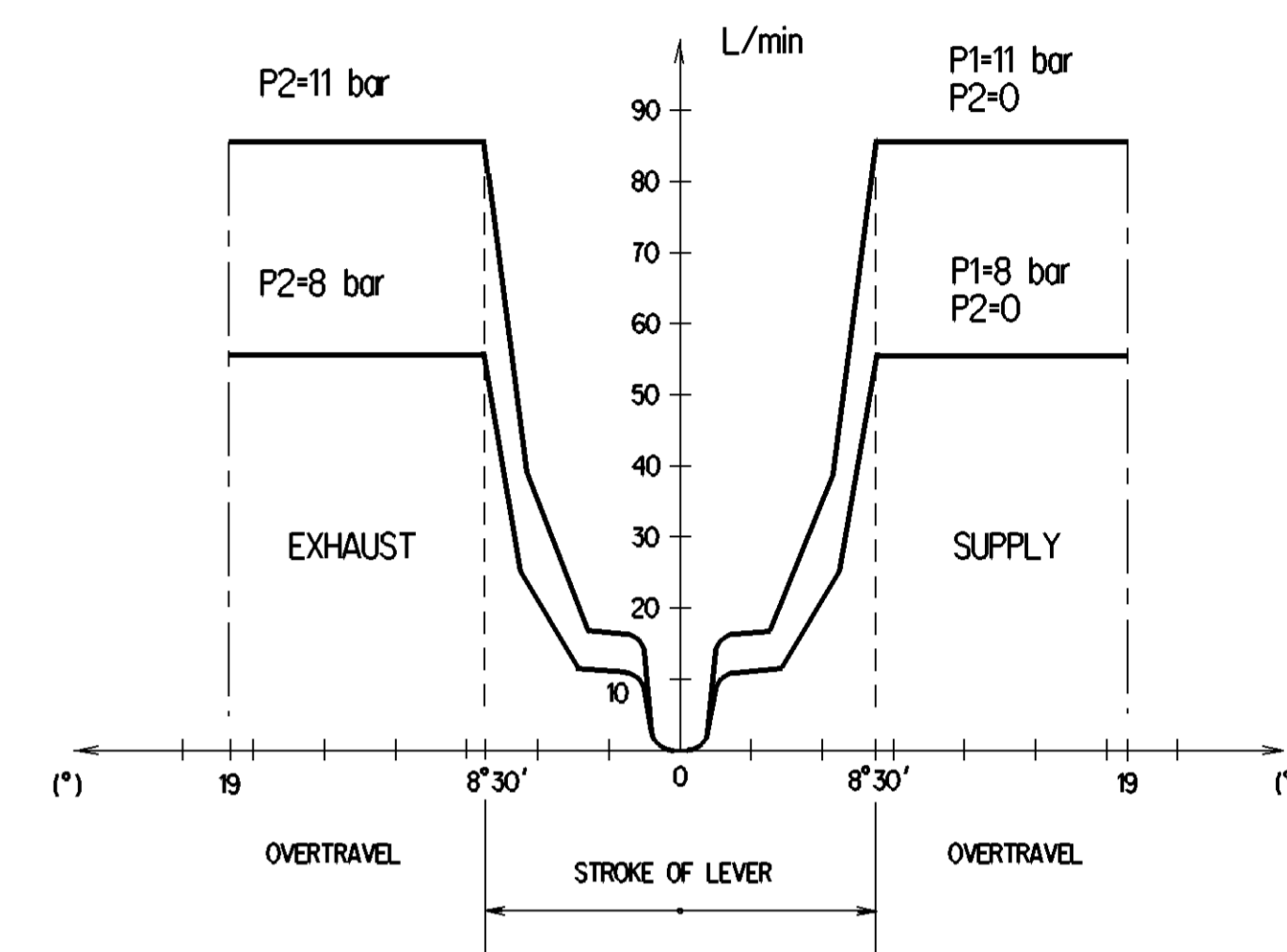


<- SAFETY CHARACTERISTICS	0
<- SIGNIFICANT CHARACTERISTICS	0

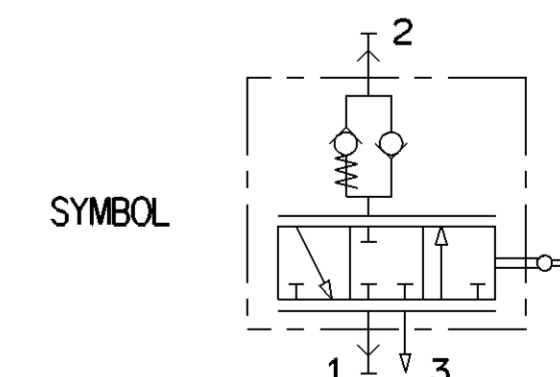


FLOW RATE FOR : P1=8 bar and P1=11 bar



1	SUPPLY
2	DELIVERY
THERMAL RANGE	-40°C ... +80°C
WORKING PRESSURE	P1= 11 bar MAX.
EXCEPTIONAL INLET PRESSURE	P1= 14 bar MAX.
RESIDUAL PRESSURE	P2= 0.6±0.3 bar

- ① HOLE ∅4 TO PRE-INDEX IN MECHANICAL NEUTRAL POSITION
- ② ∅8.5±0.2 (2x), FIXING OF THE VALVE BY SCREW: M8
TORQUE: 28Nm MAX.



General Specifications: JED-334-1 - Size ISO 14405 LP		Copyright WABCO®	
Further Technical Data: PRO 007 001 0		Date: 2018-09-10	Signature: <i>Saravanan</i>
Doc. Code: 035	Sheet: 01 To 05	Checked: 2018-09-10	Expert: <i>Aswinkumar</i>
General Tolerances JED-261		Expert: <i>Murugan</i>	
Range of Nominal Dimensions (± mm)			
Class	1)	< 50	> 50 < 180
Fine		± 0.1	± 0.15
Medium		± 0.2	± 0.3
Coarse		± 0.3	± 0.5
Tapped Holes acc.		± 3°	
1) Tolerance Class Applied Crossmarked		Mass: 0.209 kg	Scale: 1:1
A 1 CREO		Material No.: PRO 417 004 0	Date of first issue: 2018-09-10
		Doc. Code: 005	Language: EN
		Revision: 1	Sheet: 1/1
		Techn. Resp.: 5642_AM	Replacement for:

Non è permesso copiare o riprodurre questo documento, né utilizzare il contenuto a fini commerciali, senza permesso scritto dalla WABCO. È vietata espressamente la ristampa o l'uso non autorizzato. Toute réimpression ou utilisation non autorisée sans la permission écrite de la WABCO est formellement interdite. Toute utilisation non autorisée sera considérée comme une violation des lois en vigueur. All rights reserved. No part of this document may be reproduced, stored in a retrieval system, or transmitted, in any form or by any means, electronic, mechanical, photocopying, recording, or by any information storage and retrieval system, without the prior written permission of WABCO.