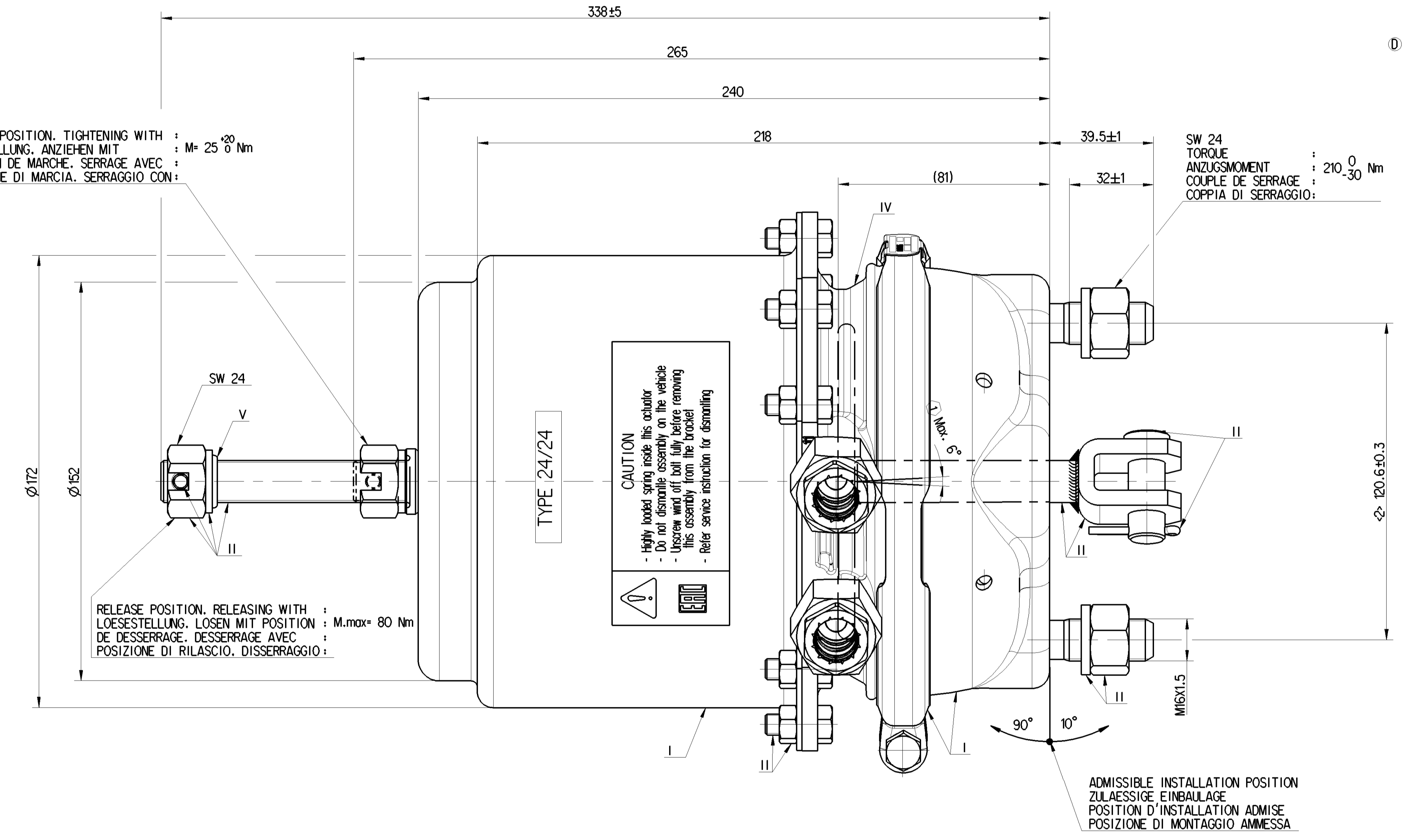
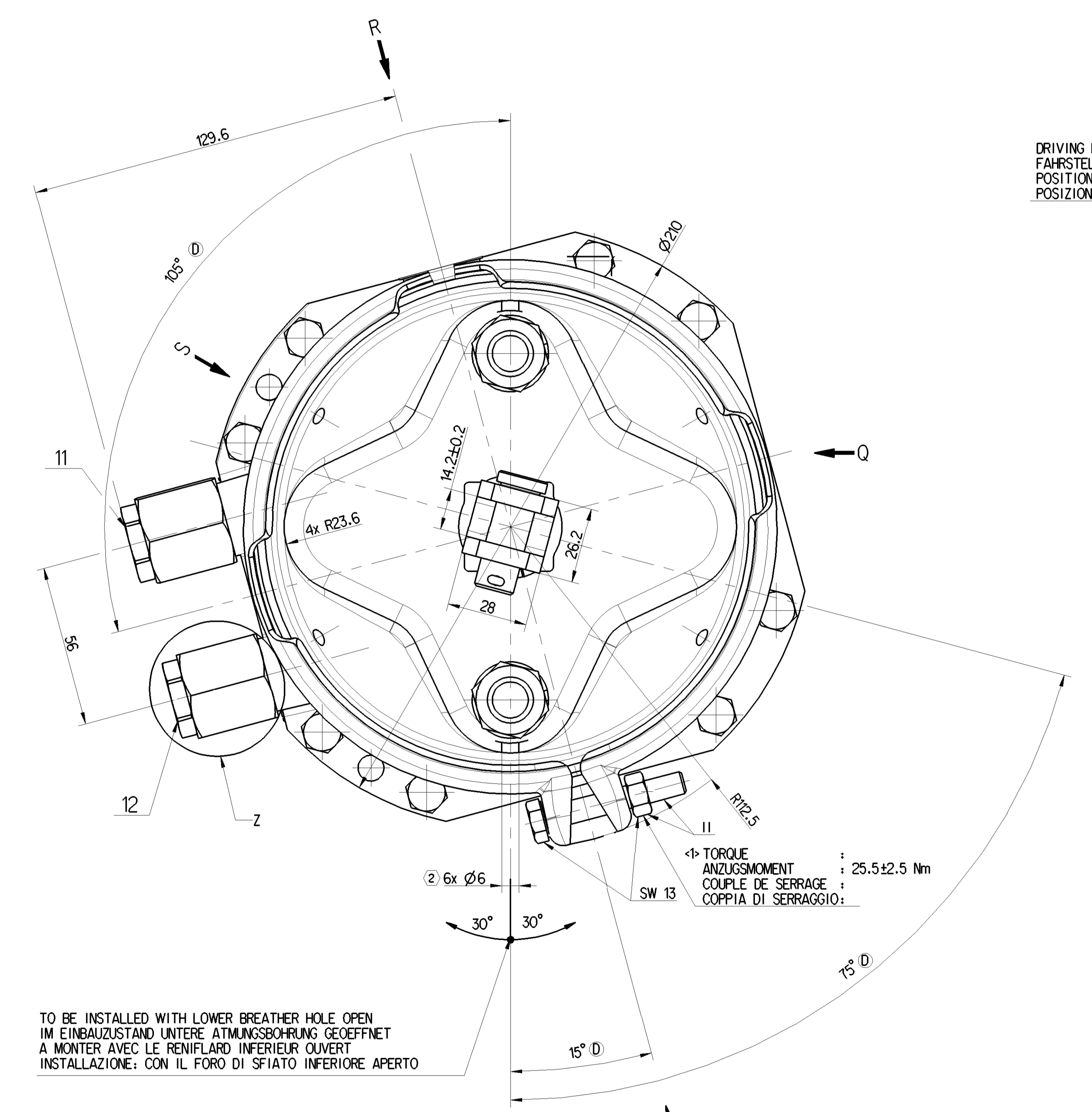
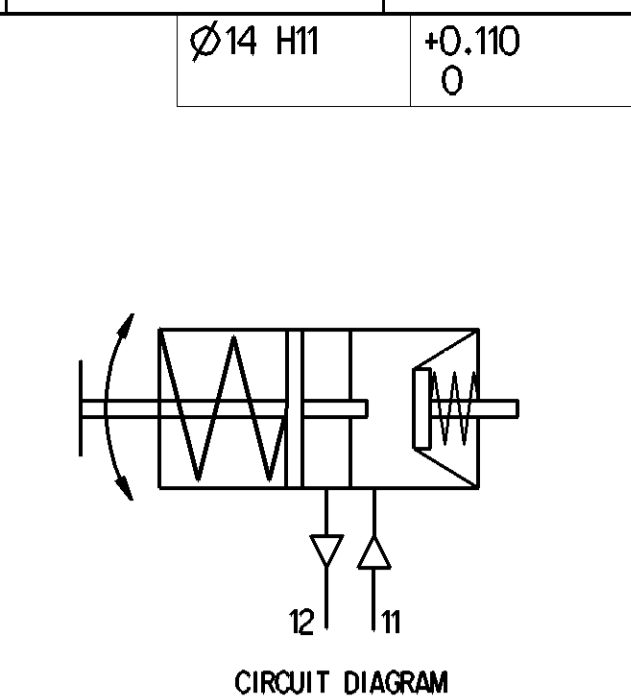
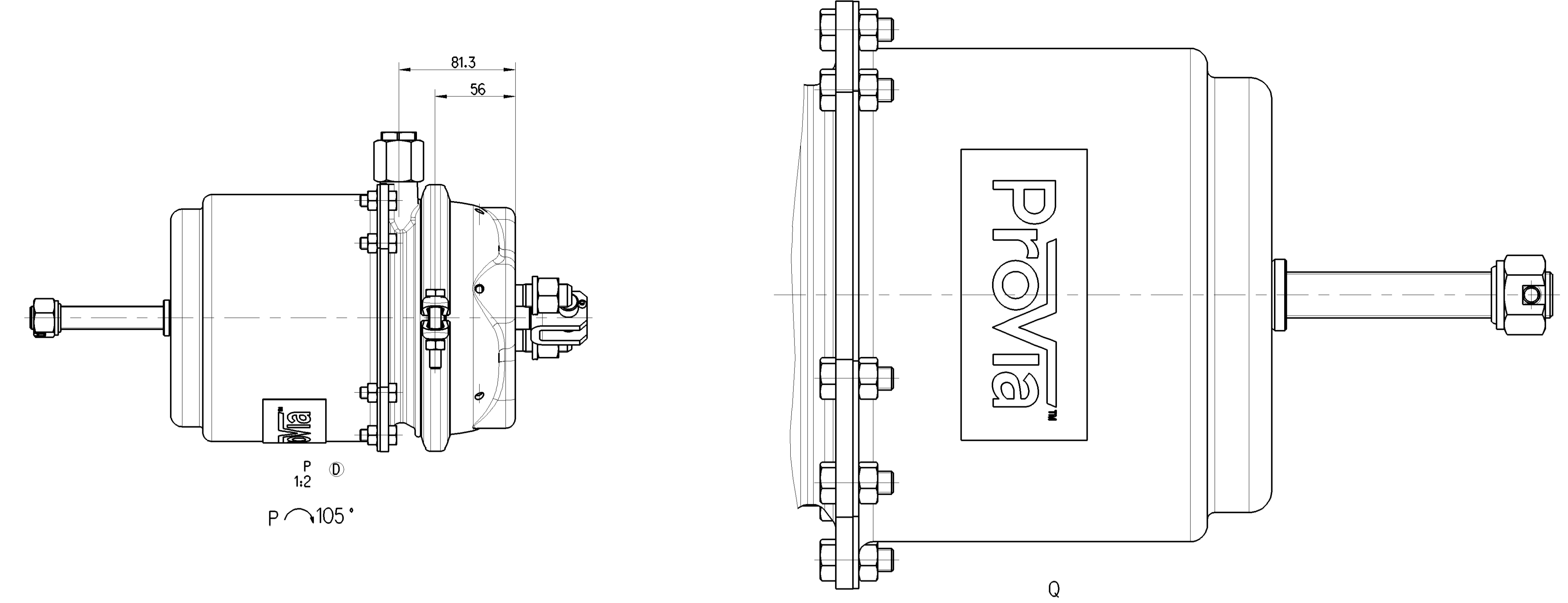
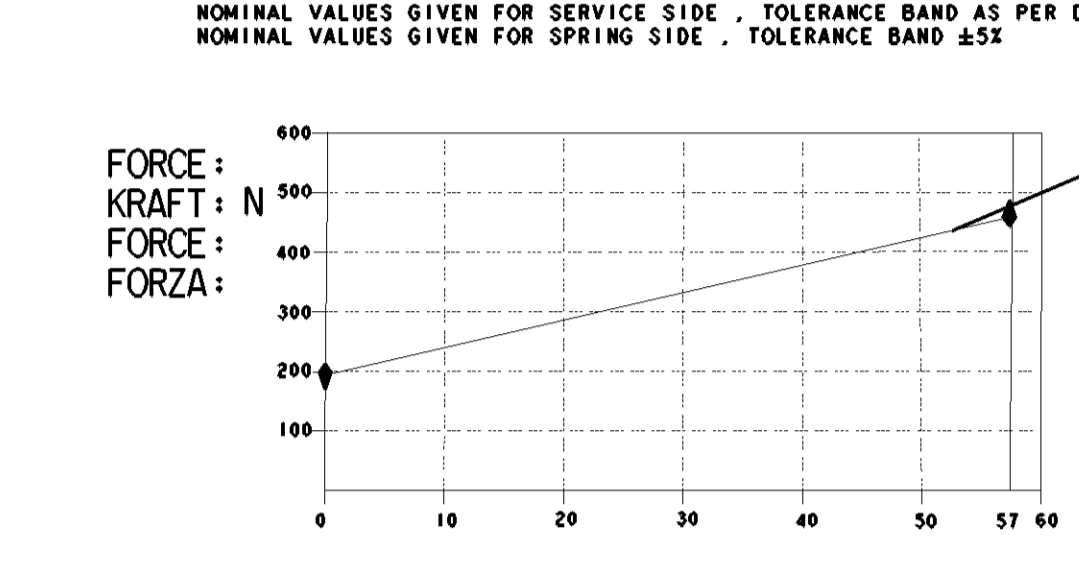
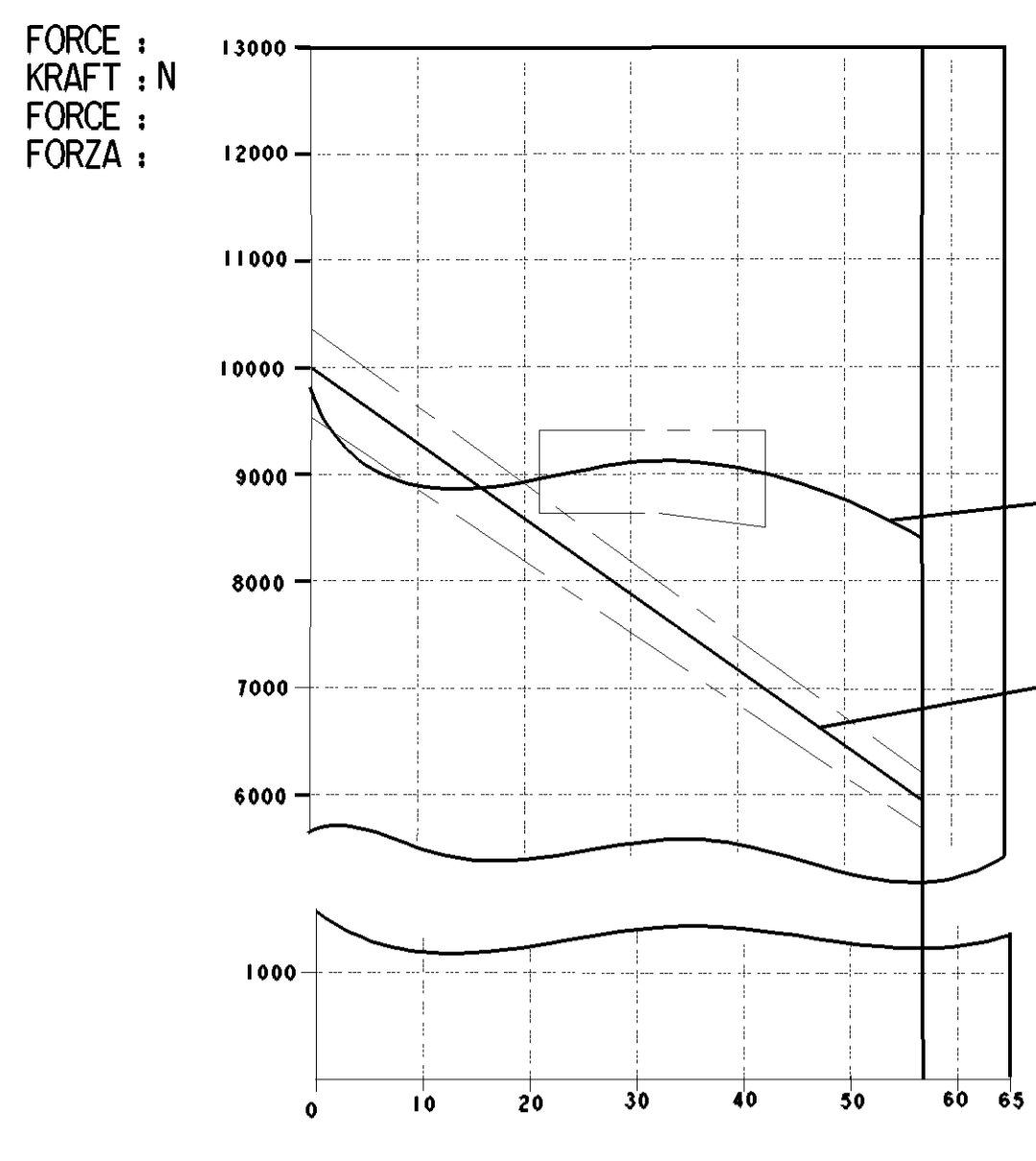
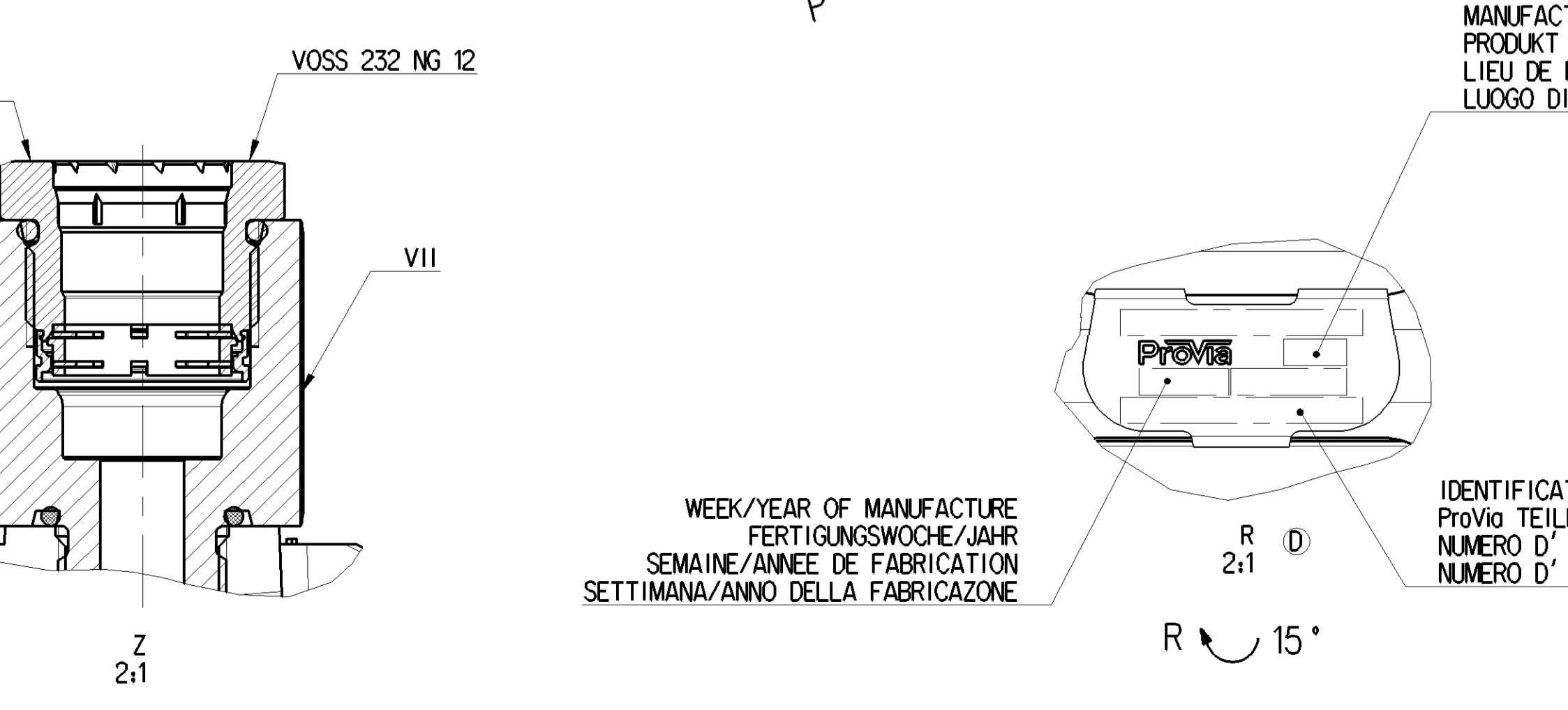
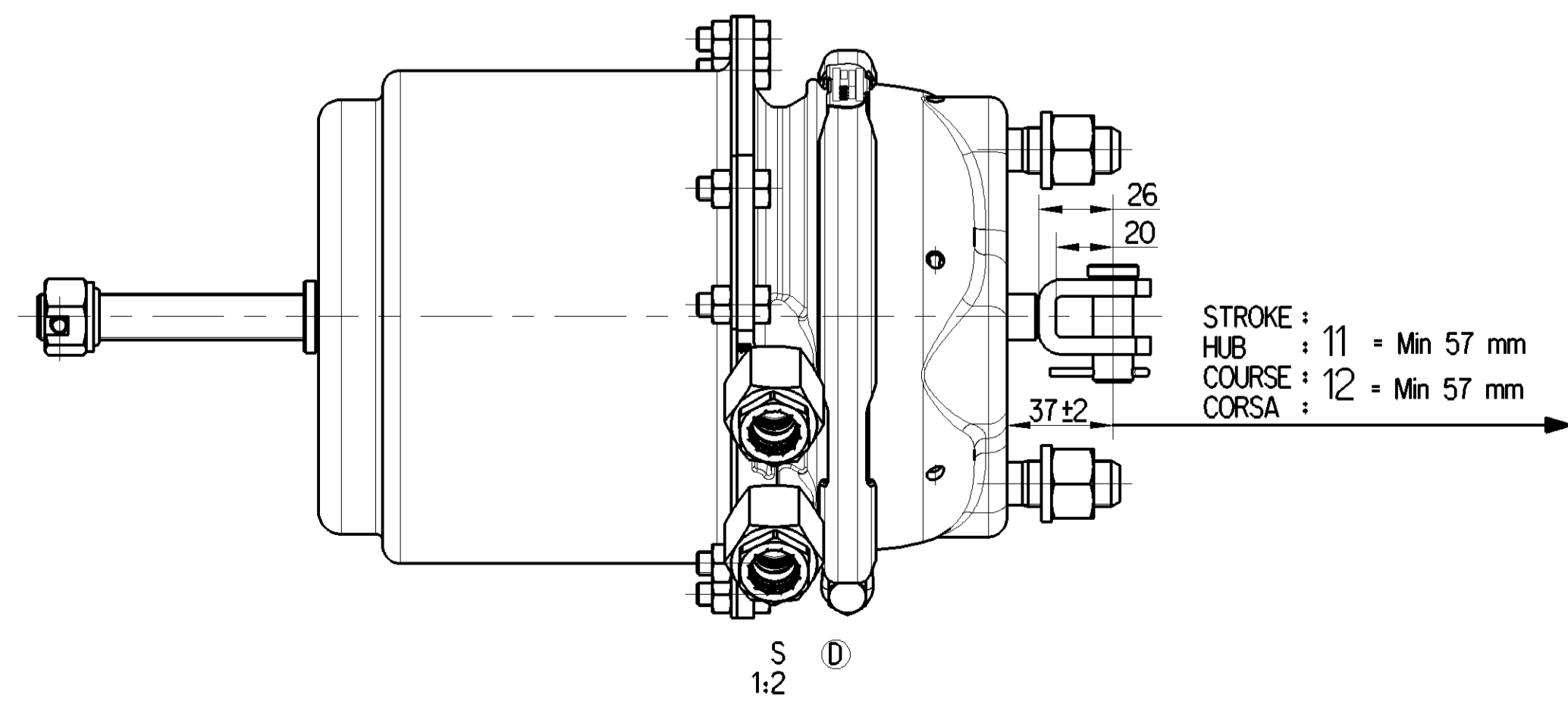


SURFACE PROTECT. OBERFL. SCHUTZ	
I	POWDER COATING JED-240-7
II	Zn JED-256-5
III	PHOSPHATING & OILING JED-371
IV	AL. JED-259
V	RUBBER / PLASTIC
VI	BRASS
VII	AL. JED-007-1

TECHNICAL DATA  
TECHNISCHE DATEN



MEDIUM : AIR MEDIUM : LUFT FLUIDE : AIR FLUIDO : ARIA
NOMINAL DIAMETER : NENNWEITE DIAMETRE NOMINAL DIAMETRO NOMINALE : MIN Ø8.5
WIDTH ACROSS FLATS SW SCHLUESSELWEITE SURPLATS LARGHEZZA IN CHIAVE
THERMAL RANGE OF APPLICATION : THERMISCHER ANWENDUNGSBEREICH : -40°C...+80°C GAMME D'APPLICATION THERMIQUE : CAMPO TERMICO D'APPLICAZIONE :
PORT : SERVICE BRAKING SYSTEM, WORKING PRESSURE : Pe max. = 10 bar ANSCHLUSS : 11 BETRIEBSBREMSEANLAGE, BETRIEBSDRUCK ORIFICE : DISPOSITIF DE FREINAGE DE SERVICE, PRESSION D'UTILISATION ORIFIZIO : DISPOSITIVO DI FRENATURA DI SERVIZIO, PRESSIONE DI ESERCIZIO : (TEMPORARILY / KURZZEITIG / (DE COURTE DUREE / (BREVE TEMPO SOLO) : Pe max. = 13 bar
PORT : SPRING BRAKE CYLINDER, WORKING PRESSURE : Pe max. = 8.5 bar ANSCHLUSS : 12 FEDERSPEICHERZYLINDER, BETRIEBSDRUCK ORIFICE : CYLINDRE A RESSORT, PRESSION D'UTILISATION ORIFIZIO : CILINDRO A MOLLA, PRESSIONE DI ESERCIZIO : (TEMPORARILY / KURZZEITIG / (DE COURTE DUREE / (BREVE TEMPO SOLO) : Pe max. = 11 bar
DEFLECTION : AUSLENKUNG : max. 6° AT STROKE BEI HUB DEFLEXION : A COURSE DEVIATION : A CORSA
OPEN BREATHER HOLE ZULAESSIGE EINBAULAGE OVERT TROU RENIFLEUR APERTO FORO RESPIRATORE
DELIVERY : ANLIEFERUNG : LIVRAISON : FORNITURA : RELEASE POSITION : LOESESTELLUNG : POSITION DE DESERRAGE : POSIZIONE DI RILASCIO : DRIVING POSITION : FAHRSTELLUNG : POSITION DE MARCHE : POSIZIONE DI MARCIA
UNIT DRAWN WITH AIR APPLIED AT PORT 12 EINHEIT MIT LUFT APPLIED AT PORT GEZEICHNET 12 UNIDADE DESENHADA COM ARIA APLICADA NA PORTA 12 UNITA' DISEGNATA CON ARIA APPLICATA A PORTA 12



MANUFACTURING PLANT:  
PRODUKT IONSSTATTE: JED - 225  
LIEU DE FABRICATION:  
LUOGO DI FABBRICAZIONE:

WEEK/YEAR OF MANUFACTURE  
FERTIGUNGSWOCH/JAHR  
SEMAINE/ANNEE DE FABRICATION  
SETTIMANA/ANNO DELLA FABBRICAZIONE

IDENTIFICATION NUMBER  
PROVIA TEILE NUMBER  
NUMERO D' IDENTIFICATION PROVIA  
NUMERO D' IDENTIFICAZIONE

SAFETY CHARACTERISTICS  
SICHERHEITSMERKMALE  
CARACTERISTIQUES DE SECURITE  
CARATTERISTICHE DI SICUREZZA

SIGNIFICANT CHARACTERISTICS  
WESENTLICHE MERKMALE  
CARACTERISTIQUES SIGNIFIANTE  
CARATTERISTICHE SIGNIFICATIVE

General Specifications	Design	Provia
General Specifications: JED-554-1, Size: ISO 150/140 LP	Design: 491002	Provia
Further Technical Data: PRO 491 002 0	Doc. Code: 035	SPRING BRAKE ACTUATOR CAM
General Tolerance: JED-261	Scale: To 4	24/24-57mm
Range of Nominal Dimensions (L ± mm)	Material: K P NAGARAJAN	Material No.: 005 ML 1/1
Class 1: ± 50, ± 80, ± 100, ± 150, ± 200, ± 300, ± 400	Class 2: ± 10, ± 15, ± 20, ± 30, ± 40, ± 50, ± 63, ± 80, ± 100, ± 125, ± 160, ± 200, ± 250, ± 315, ± 400, ± 500, ± 630, ± 800, ± 1000	Revision: 174088
Class 3: ± 0.5, ± 1.0, ± 1.5, ± 2.0	Class 4: ± 0.1, ± 0.2, ± 0.3, ± 0.4, ± 0.5, ± 0.6, ± 0.8, ± 1.0, ± 1.2, ± 1.6, ± 2.0, ± 2.5, ± 3.15, ± 4.0, ± 5.0, ± 6.3, ± 8.0, ± 10.0, ± 12.5, ± 16.0, ± 20.0, ± 25.0, ± 31.5, ± 40.0, ± 50.0, ± 63.0, ± 80.0, ± 100.0, ± 125.0, ± 160.0, ± 200.0, ± 250.0, ± 315.0, ± 400.0, ± 500.0, ± 630.0, ± 800.0, ± 1000.0	Replacement for: -
Class 5: ± 0.025, ± 0.05, ± 0.075, ± 0.1, ± 0.15, ± 0.2, ± 0.3, ± 0.4, ± 0.5, ± 0.6, ± 0.8, ± 1.0, ± 1.2, ± 1.6, ± 2.0, ± 2.5, ± 3.15, ± 4.0, ± 5.0, ± 6.3, ± 8.0, ± 10.0, ± 12.5, ± 16.0, ± 20.0, ± 25.0, ± 31.5, ± 40.0, ± 50.0, ± 63.0, ± 80.0, ± 100.0, ± 125.0, ± 160.0, ± 200.0, ± 250.0, ± 315.0, ± 400.0, ± 500.0, ± 630.0, ± 800.0, ± 1000.0	Class 6: ± 0.01, ± 0.015, ± 0.02, ± 0.03, ± 0.04, ± 0.05, ± 0.06, ± 0.08, ± 0.1, ± 0.15, ± 0.2, ± 0.3, ± 0.4, ± 0.5, ± 0.6, ± 0.8, ± 1.0, ± 1.2, ± 1.6, ± 2.0, ± 2.5, ± 3.15, ± 4.0, ± 5.0, ± 6.3, ± 8.0, ± 10.0, ± 12.5, ± 16.0, ± 20.0, ± 25.0, ± 31.5, ± 40.0, ± 50.0, ± 63.0, ± 80.0, ± 100.0, ± 125.0, ± 160.0, ± 200.0, ± 250.0, ± 315.0, ± 400.0, ± 500.0, ± 630.0, ± 800.0, ± 1000.0	
Class 7: ± 0.005, ± 0.0075, ± 0.01, ± 0.015, ± 0.02, ± 0.03, ± 0.04, ± 0.05, ± 0.06, ± 0.08, ± 0.1, ± 0.15, ± 0.2, ± 0.3, ± 0.4, ± 0.5, ± 0.6, ± 0.8, ± 1.0, ± 1.2, ± 1.6, ± 2.0, ± 2.5, ± 3.15, ± 4.0, ± 5.0, ± 6.3, ± 8.0, ± 10.0, ± 12.5, ± 16.0, ± 20.0, ± 25.0, ± 31.5, ± 40.0, ± 50.0, ± 63.0, ± 80.0, ± 100.0, ± 125.0, ± 160.0, ± 200.0, ± 250.0, ± 315.0, ± 400.0, ± 500.0, ± 630.0, ± 800.0, ± 1000.0	Class 8: ± 0.0025, ± 0.00375, ± 0.005, ± 0.0075, ± 0.01, ± 0.015, ± 0.02, ± 0.03, ± 0.04, ± 0.05, ± 0.06, ± 0.08, ± 0.1, ± 0.15, ± 0.2, ± 0.3, ± 0.4, ± 0.5, ± 0.6, ± 0.8, ± 1.0, ± 1.2, ± 1.6, ± 2.0, ± 2.5, ± 3.15, ± 4.0, ± 5.0, ± 6.3, ± 8.0, ± 10.0, ± 12.5, ± 16.0, ± 20.0, ± 25.0, ± 31.5, ± 40.0, ± 50.0, ± 63.0, ± 80.0, ± 100.0, ± 125.0, ± 160.0, ± 200.0, ± 250.0, ± 315.0, ± 400.0, ± 500.0, ± 630.0, ± 800.0, ± 1000.0	
Class 9: ± 0.00125, ± 0.001875, ± 0.0025, ± 0.00375, ± 0.005, ± 0.0075, ± 0.01, ± 0.015, ± 0.02, ± 0.03, ± 0.04, ± 0.05, ± 0.06, ± 0.08, ± 0.1, ± 0.15, ± 0.2, ± 0.3, ± 0.4, ± 0.5, ± 0.6, ± 0.8, ± 1.0, ± 1.2, ± 1.6, ± 2.0, ± 2.5, ± 3.15, ± 4.0, ± 5.0, ± 6.3, ± 8.0, ± 10.0, ± 12.5, ± 16.0, ± 20.0, ± 25.0, ± 31.5, ± 40.0, ± 50.0, ± 63.0, ± 80.0, ± 100.0, ± 125.0, ± 160.0, ± 200.0, ± 250.0, ± 315.0, ± 400.0, ± 500.0, ± 630.0, ± 800.0, ± 1000.0	Class 10: ± 0.000625, ± 0.0009375, ± 0.00125, ± 0.001875, ± 0.0025, ± 0.00375, ± 0.005, ± 0.0075, ± 0.01, ± 0.015, ± 0.02, ± 0.03, ± 0.04, ± 0.05, ± 0.06, ± 0.08, ± 0.1, ± 0.15, ± 0.2, ± 0.3, ± 0.4, ± 0.5, ± 0.6, ± 0.8, ± 1.0, ± 1.2, ± 1.6, ± 2.0, ± 2.5, ± 3.15, ± 4.0, ± 5.0, ± 6.3, ± 8.0, ± 10.0, ± 12.5, ± 16.0, ± 20.0, ± 25.0, ± 31.5, ± 40.0, ± 50.0, ± 63.0, ± 80.0, ± 100.0, ± 125.0, ± 160.0, ± 200.0, ± 250.0, ± 315.0, ± 400.0, ± 500.0, ± 630.0, ± 800.0, ± 1000.0	