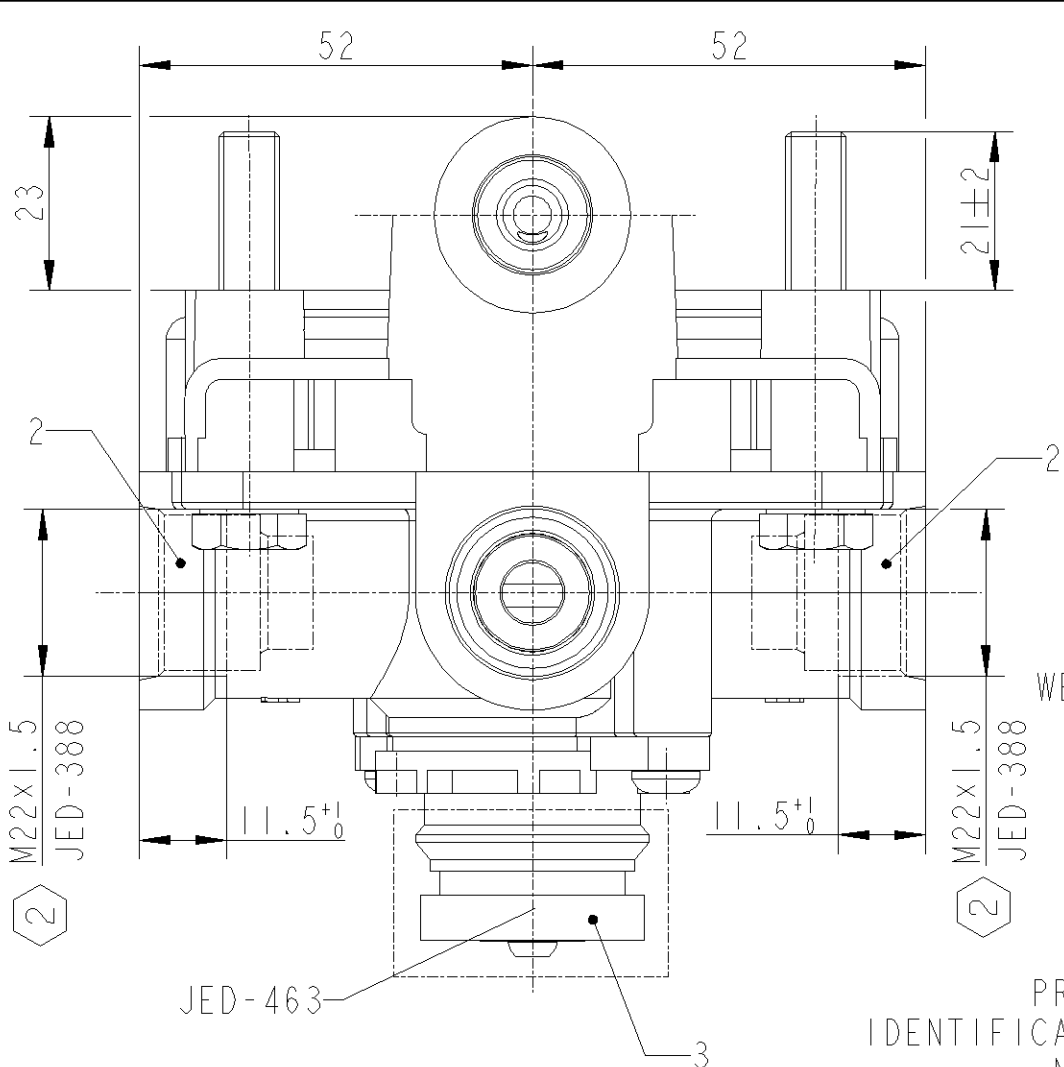
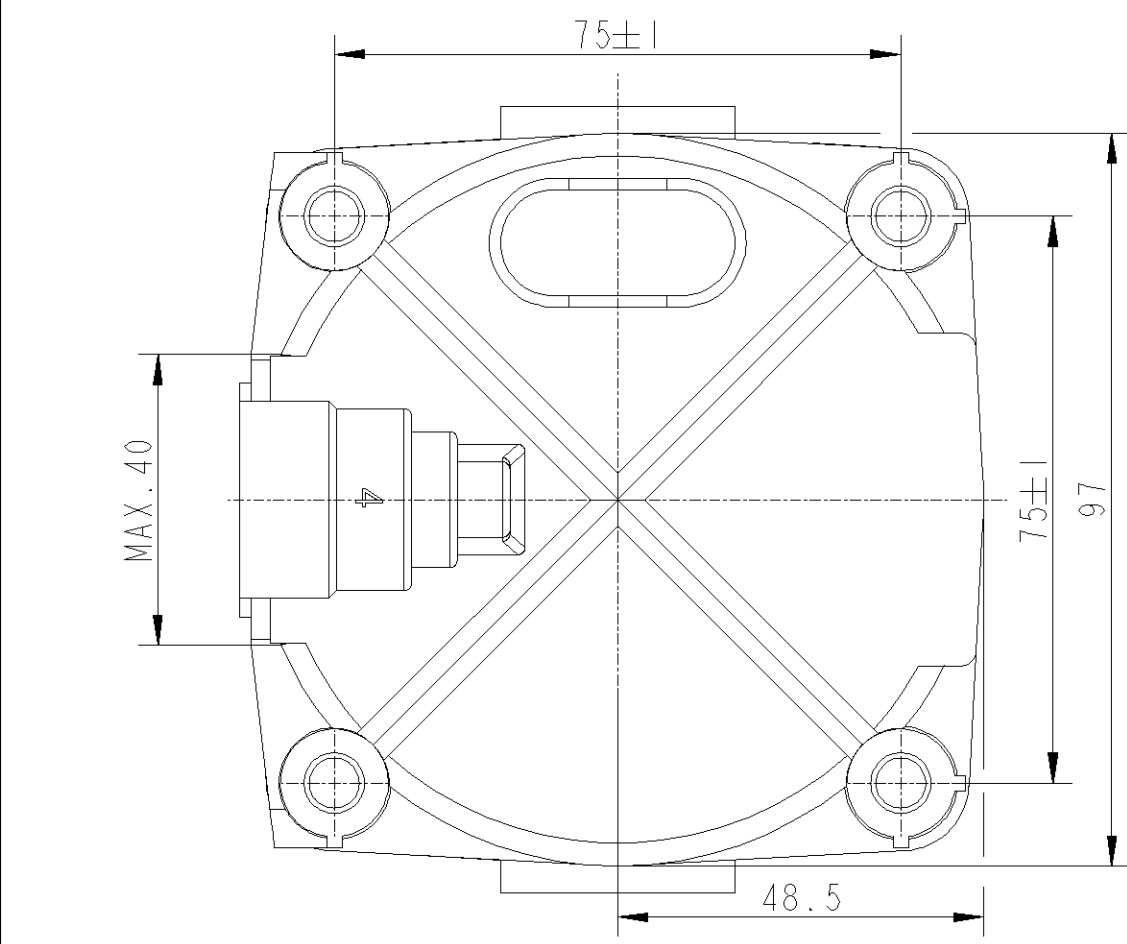
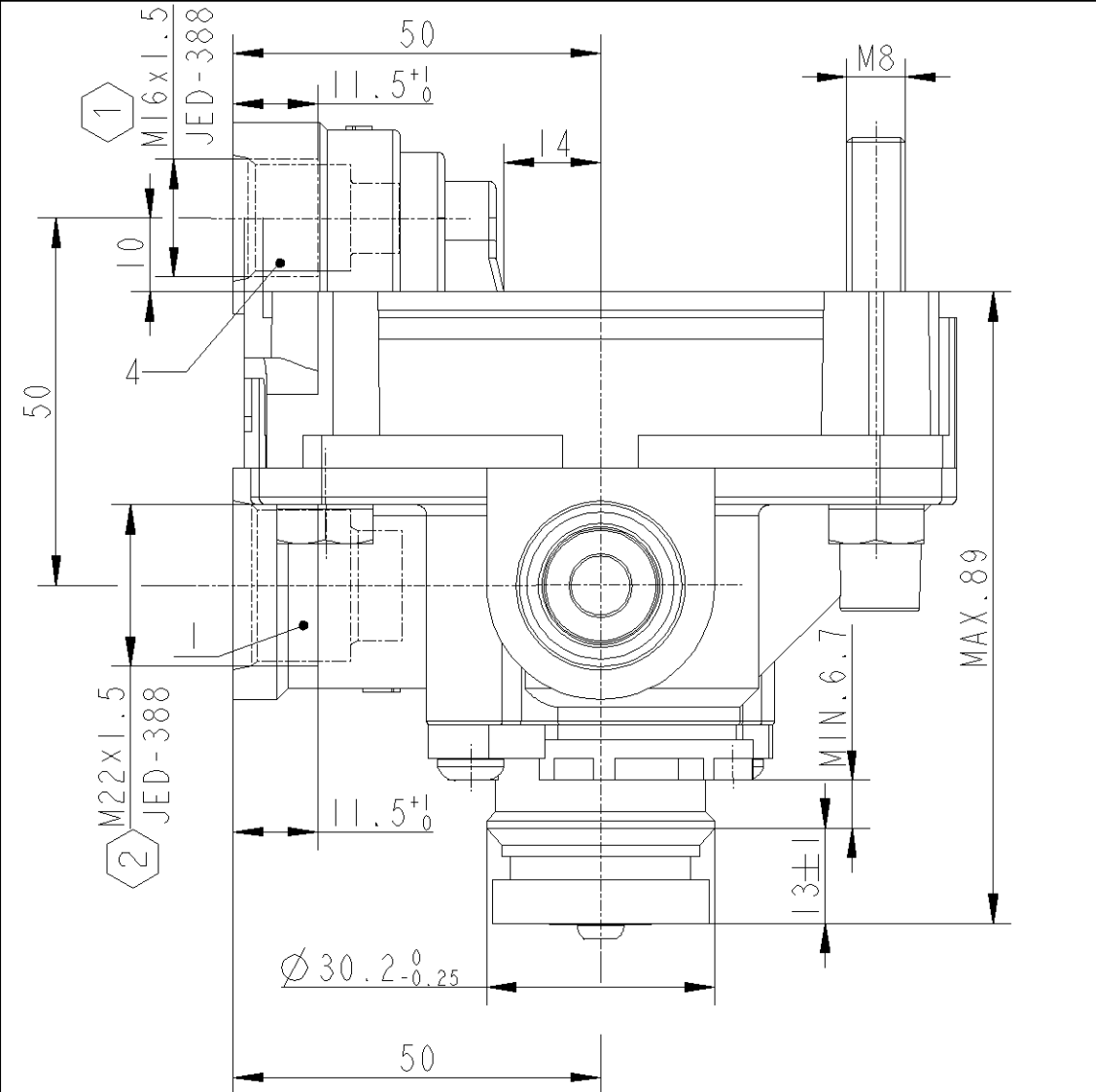


Non è permesso consegnare a terzi o riprodurre questo documento, né utilizzare il contenuto o renderlo comunque noto a terzi senza autorizzazione esplicita. Ogni infrazione costituirà un evidente abuso e comporterà il risarcimento dei danni subiti. È fatta riserva di tutti i diritti derivanti da brevetti o modelli.

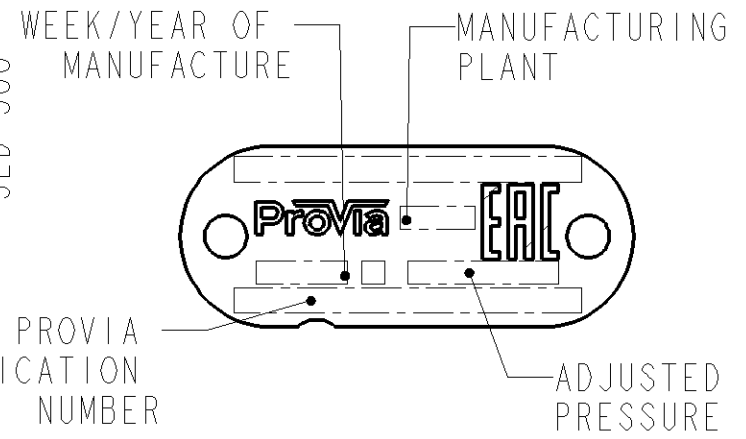
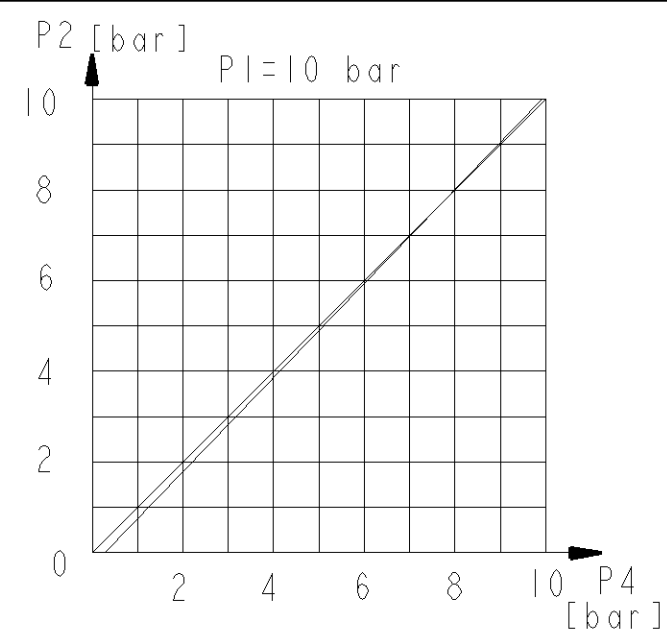
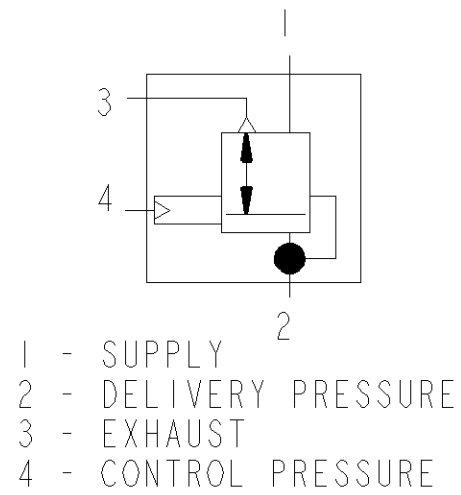
Copying of this document and giving it to others and the use or communication of the contents thereof, are forbidden without express authority. Contrivention of this restriction will constitute an evident abuse and result in a liability to the payment of damages. All rights are reserved in the event of the grant of patent or registration of a utility model or design. This document is the subject of copyright.

Toute communication ou reproduction de ce document, toute exploitation ou communication de son contenu sont interdites, sauf autorisation expresse. Tout manquement à cette règle constitue un abus évident et expose son auteur au versement de dommages et intérêts. Tous droits de propriété industrielle réservés, notamment en matière de brevets et de modèles.

Weitergabe sowie Vervielfältigung dieser Unterlage, Verwertung und Mitteilung ihres Inhalts nicht gestattet, soweit nicht ausdrücklich zugestanden. Zuwiderhandlungen stellen einen offensichtlichen Missbrauch dar und verpflichten zu Schadensersatz. Alle Rechte rüer den Fall der Patenterteilung oder Gebrauchsmuster-Eintragung vorbehalten.



SCHEMATIC DIAGRAM



TECHNICAL INFORMATION:  
 MEDIUM: AIR  
 WORKING PRESSURE: 10 BAR  
 SUPPLY PRESSURE : 13 BAR  
 WORKING TEMPERATURE: -40°C - +80°C  
 OTHERS: ACCORDING TO QC/T35

① TORQUE MAX: 34 Nm  
 ② TORQUE MAX: 53 Nm

|   |               |                  |             |                                 |   |  |
|---|---------------|------------------|-------------|---------------------------------|---|--|
| General Specification: ISO 8015, JED-334-1, Size ISO 14405 LP |               | Copyright WABCO® |             | <b>ProVia</b>                   |   |  |
| Further Technical Data: Product Specification                 |               | Date             | Signature   |                                 |   |  |
| Doc. Code: O35  | Sheet: 1 To 7 | Drawn            |             | Relay Valve                     |   |  |
| General Tolerances JED-261                                    |               | 2022-05-09       | Pakula      |                                 |   |  |
| Range of Nominal Dimensions ( ± mm)                           |               | Checked          |             | Date of first issue: 2022-05-10 |   |  |
|   |               | 2022-05-10       | Pawlowski   |                                 |   |  |
|   |               | Dimensions in mm |             | Doc.Code Language Sheet         |   |  |
| Class 1)  | ≤ 50          | > 50 ≤ 180       | > 180 ≤ 400 | > 400                           | 005 EN 1/1                                    |  |
| Fine  | ±0.5          | ±1               | ±1.5        | ±2                              | ECN-No. Revision Techn. Resp. Replacement for |  |
| Medium  | ±1            | ±2               | ±3          | ±4                              |   |  |
| Coarse  | ±2            | ±3.5             | ±5          | ±6.5                            | -   |  |
| Tapped Holes acc. JED-388                                     |               | Mass             | Scale       | Material No.                    |   |  |
| 1) Tolerance Class Applied Crossmarked                        |               | 0.62 kg          | 1:1 (2:1)   | PRO 643 011 0                   |   |  |
|   |               | Size             | CAD System  |                                 |   |  |
|   |               | A 3              | CREO        |                                 |   |  |