

MATERIAL AND SURFACE PROTECTION	
I	AL JED-029M1 / JED-259
II	FE JED-021M1 / JED-256-4
III	FE JED-051M1 / JED-739-4
IV	POM JED-005MO

ProVia IDENTIFICATION NUMBER  
ProVia TEILE NUMMER  
NUMERO D'IDENTIFICATION ProVia  
NUMERO D'IDENTIFICAZIONE



MANUFACTURING PLANT  
PRODUKTIONSSTAETTE  
LIEU DE FABRICATION  
LUOGO DI FABRICAZIONE

WEEK / YEAR OF MANUFACTURE  
FERTIGUNGSWOCHE / JAHR  
SEMAINE / ANNEE DE FABRICATION  
SETTIMANA / ANNO DELLA FABRICAZIONE

MAX. PERMISSIBLE PRESSURE (TEMPORARY WITHOUT FUNCTION):  
MAXIMAL ZULAESSIGER DRUCK (KURZZEITIG OHNE FUNKTION):  $p_e \text{ max.} = 20 \text{ bar}$   
PRESSION MAXIMALE ADMISSIBLE (DE COURTE DUREE SANS FONCTION):  
MASSIMA PRESSIONE AMMISSIBILE (BREVE TEMPO SOLO SENZA FUNZIONE):

MEDIUM: AIR  
MEDIUM: LUFT  
FLUIDE: AIR  
FLUIDO: ARIA

THERMAL RANGE OF APPLICATION:  
THERMISCHER ANWENDUNGSBEREICH:  
GAMME D'APPLICATION THERMIQUE:  
CAMPO DI APPLICAZIONE TERMICA:  $-40^\circ\text{C} \dots +80^\circ\text{C}$

NOMINAL DIAMETER MIN.:  
MIN. FREIER DURCHGANG:  
DIAMETRE NOMINAL MIN.:  $\varnothing 10 \text{ mm} (78.5 \text{ mm}^2)$   
DIAMETRO NOMINALE MIN.:

INSTALLATION POSITION AS DRAWN:  
EINBAULAGE WIE GEZEICHNET:  
POSITION D'INSTALLATION SUIVANT DESSIN:  $\pm 45^\circ$   
POSIZIONE DI MONTAGGIO COME DISEGNATO:

INLET PRESSURE:  
1= EINGESTEUERTER DRUCK:  
PRESSION D'ALIMENTATION:  $p_1 = 12 \text{ bar}$   
PRESSIONE DI ALIMENTAZIONE:

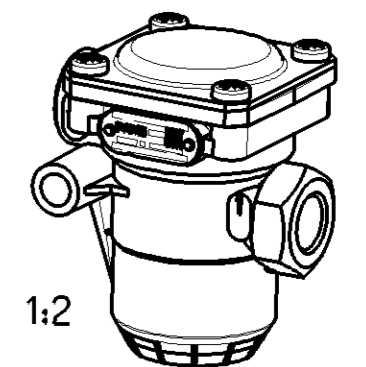
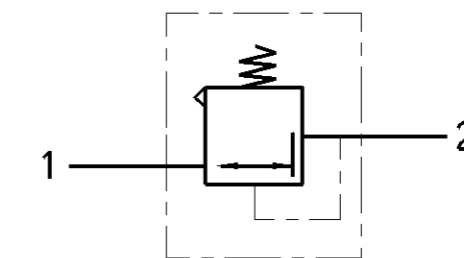
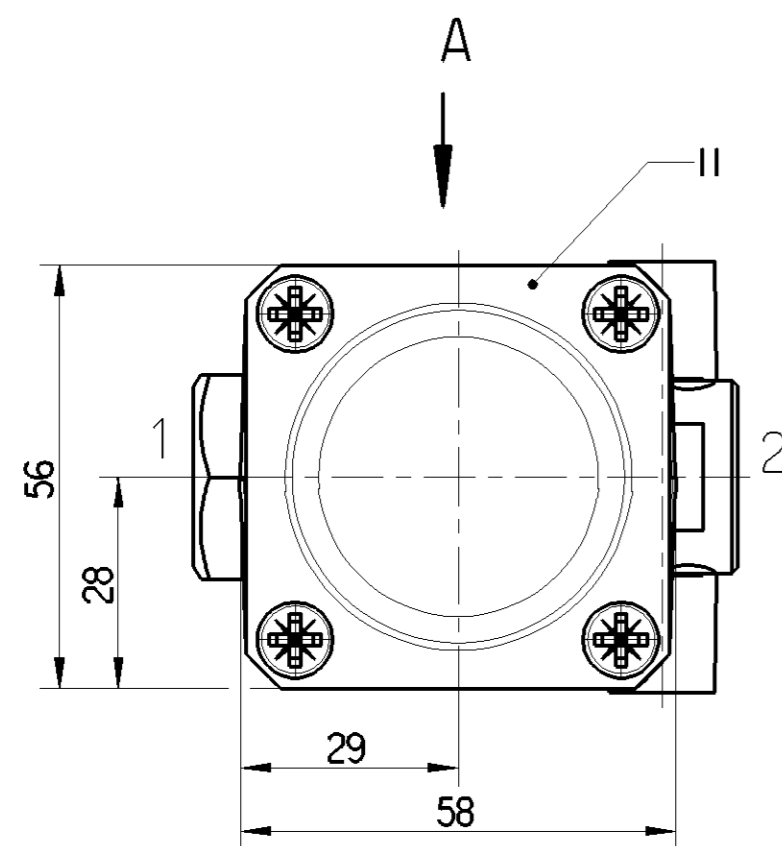
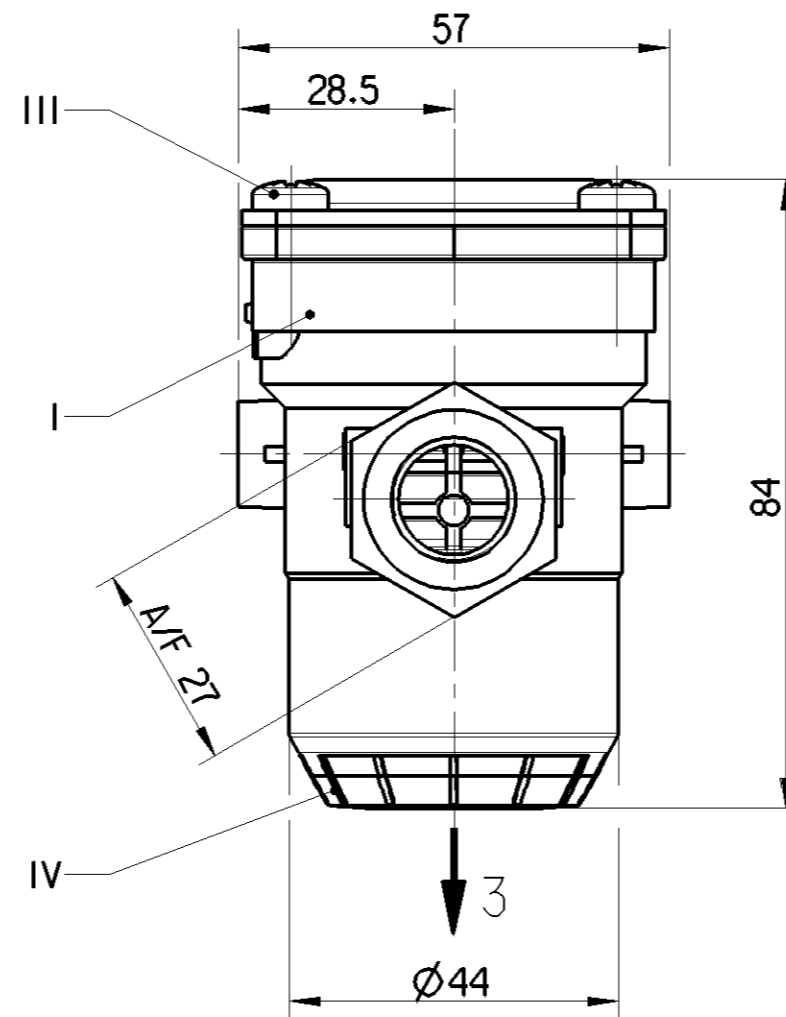
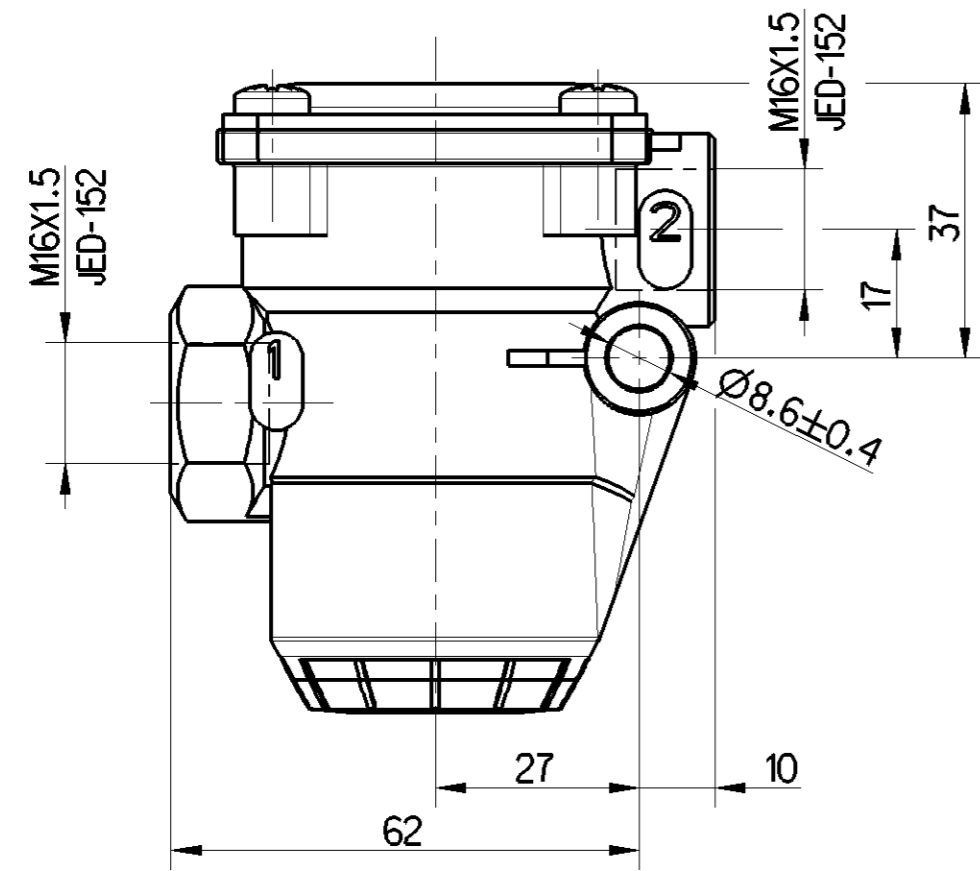
DELIVERY PRESSURE  
2= AUSGESTEUERTER DRUCK  
PRESSION DELIVREE  
PRESSIONE EROGATA

PRESSURE LIMITATION:  
DRUCKBEGRENZUNG:  $p_2 = 8 +0.3/-0.1 \text{ bar}$   
LIMITATION DE PRESSION:  
LIMITAZIONE DELLA PRESSIONE:

EXHAUST  
3= ENTLUEFTUNG  
ECHAPPEMENT  
SCARICO

OPENING OF SAFETY VALVE  
OEFFNUNG DES SICHERHEITSVENTILS  
OUVERTURE DE LA SOUPE DE SECURITE  
APERTURA DELLA VALVOLA DI SICUREZZA  $p_2 + 2.5 \text{ bar (MAX.)}$

TORQUE FOR CONNECTIONS:  
ANZUGSMOMENT FUER EINSCHRAUBSTUTZEN:  
COUPLE DE SERRAGE DES RACCORDS:  
COPPIA DI SERRAGGIO DEI RACCORDI:  $M16x1.5: M_{\text{max.}} = 34 \text{ Nm}$



General Specification: JED-334-1, Size ISO 14405 LP		Copyright WABCO®		<b>ProVia</b>	
Further Technical Data: PRO 643 031 0 (A)		Date	Signature	Date of first issue: <b>2019-06-03</b>	
Doc. Code: 035	Sheet: 1 To 5	2019-10-31	Drawn: <b>Kolkowski</b>	Doc. Code Language Sheet	
General Tolerances JED-261		2019-10-31	Checked: <b>Marcinkiewicz</b>	005 ML 1/1	
Range of Nominal Dimensions (± mm)		Expert: <b>Kolkowski</b>		Replacement for	
Class 1)	$\leq 50$ $> 50 \leq 180$ $> 180 \leq 400$ $> 400$	Mass	Scale	Material No.	
Fine		0.377	1:1	PRO 643 083 0	
Medium	X	1.0	(1:2)		
Coarse		2.0			
Tapped Holes acc. JED-152		Size	CAD System	ECN-No. Revision Techn. Resp.	
1) Tolerance Class Applied Crossmarked		A 2	CREO	502818	1 x A 5160_AM

Non e permesso copiare, o terzi o riprodurre questo documento, ne utilizzare il contenuto o renderlo comunque noto o terzi senza autorizzazione esplicita. Ogni infrazione costituisce un evidente abuso e comportera il risarcimento dei danni subiti. E' fatta riserva di tutti i diritti derivanti da brevetti o modelli.

Copying of this document and giving it to others and the use or communication of the contents thereof, are forbidden without express authority. Contention of this restriction will constitute an evident abuse and result in a liability to the payment of damages. All rights are reserved in the event of the grant of patent or registration of a utility model or design. This document is the subject of copyright.

Tout e permis de copier, ou de reproduire ce document, ou de communiquer son contenu sans autorisation expresse. Toute violation de ces droits constitue un abus evident et sera sanctionnee par le versement de dommages et interets. Tous droits de propriete industrielle reserves, notamment en matiere de brevets et de modesles.

Wielokrotna bezwzględna rozpisywanie i rozpisywanie tego dokumentu, jak i rozpisywanie jego treści, jest zabronione bez wyraźnej zgody producenta. Wszelkie naruszenia tych przepisów będą skutkować odpowiedzialnością prawną. Wszelkie prawa zastrzeżone. Wszelkie prawa do wynalazków i wzorów przemysłowych są w pełni chronione. Wszelkie prawa do znaków towarowych i znaków firmowych są w pełni chronione. Wszelkie prawa do znaków towarowych i znaków firmowych są w pełni chronione. Wszelkie prawa do znaków towarowych i znaków firmowych są w pełni chronione.

dw: PRO6430830...005 / Version: -1 / status: Approved / mod: PRO6430830...A02