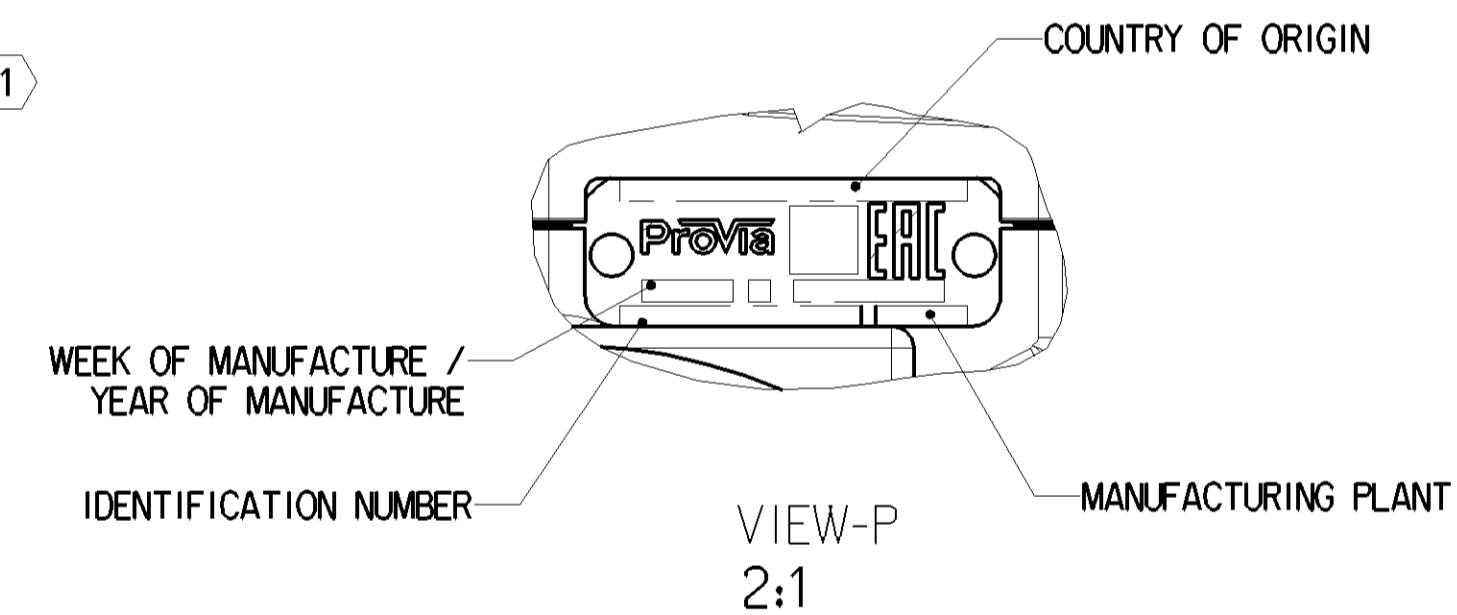
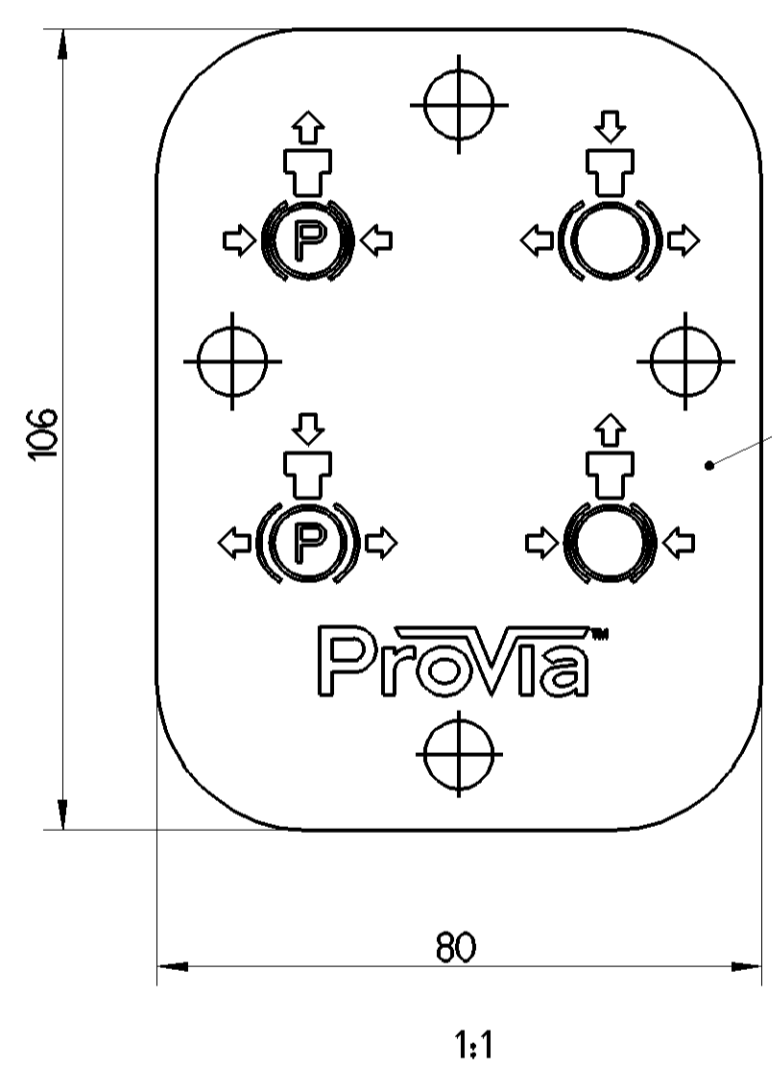
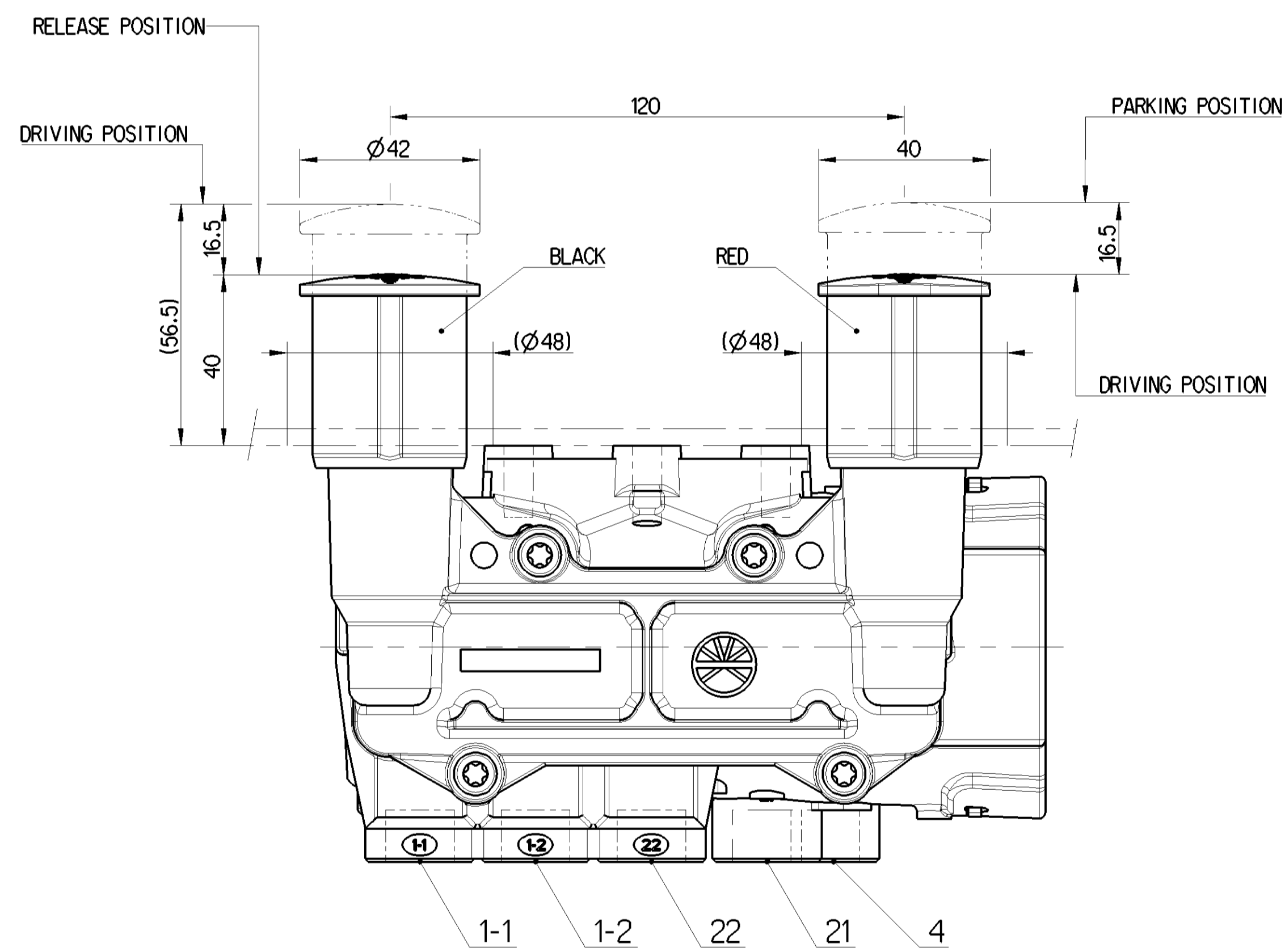
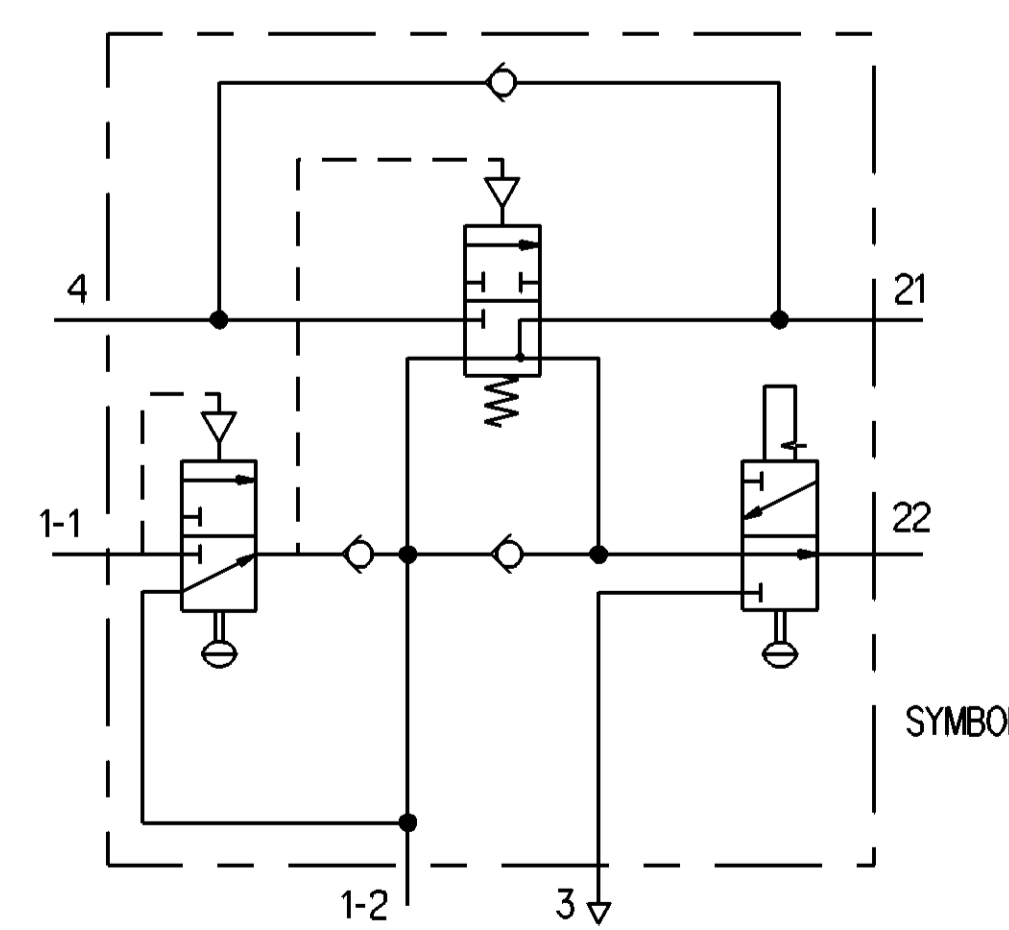
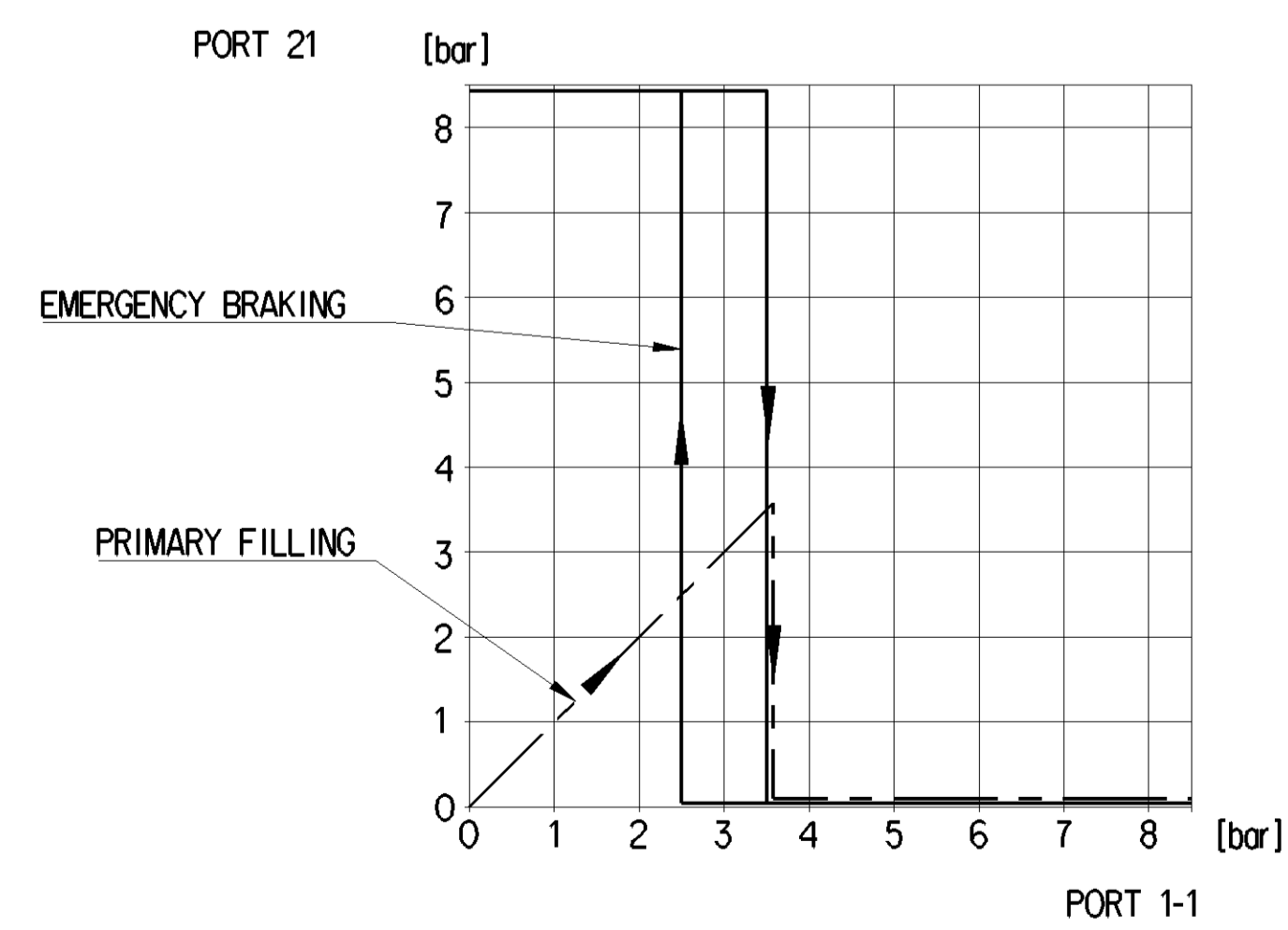
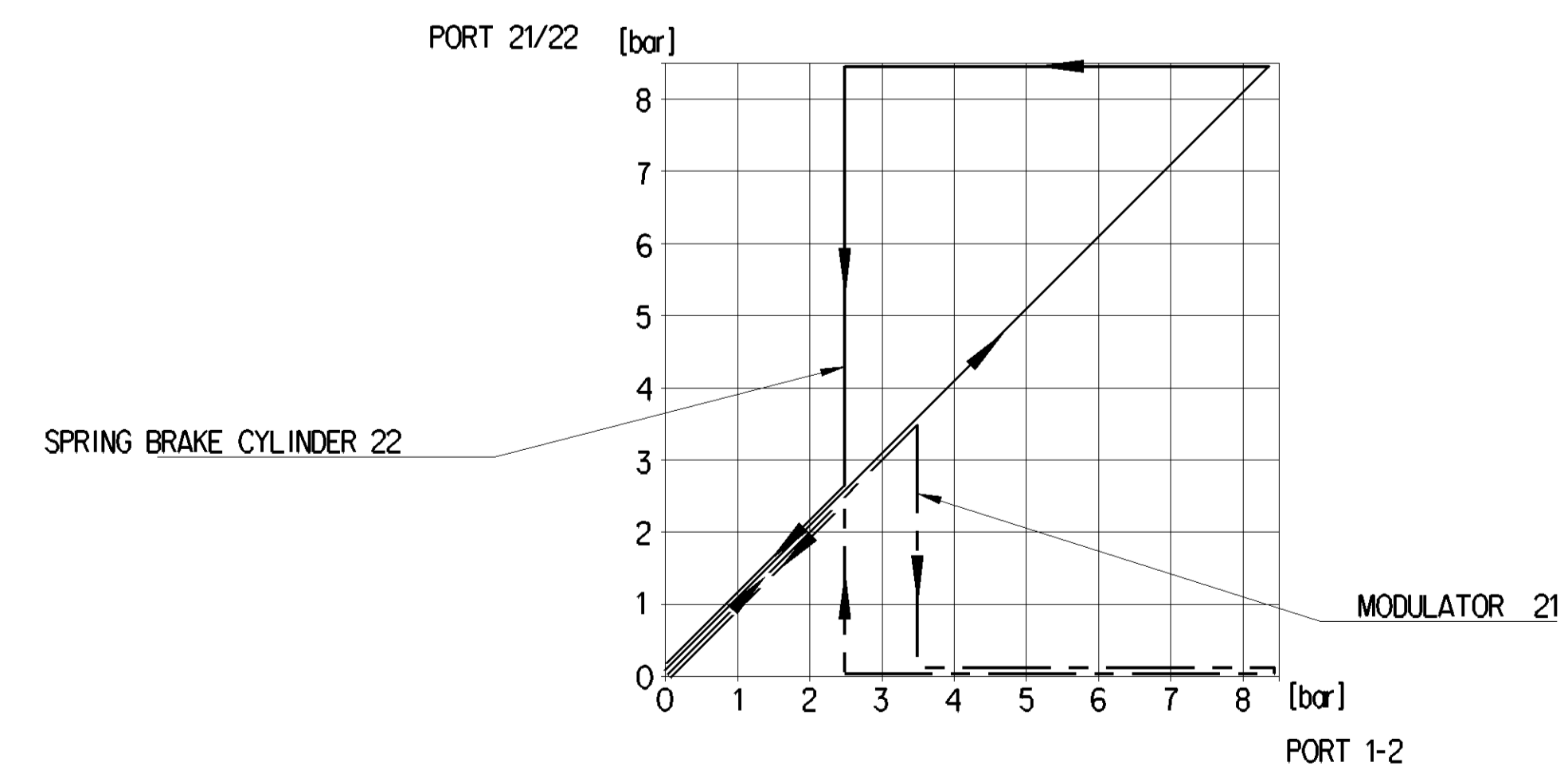


PORT	FUNCTION	TAPPED HOLES
1-1	SUPPLY	M16X1.5 JED-152
1-2	AIR RESERVOIR	M16X1.5 JED-152
21	MODULATOR	M16X1.5 JED-152
22	SPRING BRAKE CYLINDER	M16X1.5 JED-152
3	AIR EXHAUST	---
4	SERVICE LINE	M16X1.5 JED-152
TORQUE FOR CONNECTIONS		30±3 Nm PLEASE REFER TO THE MAX. TORQUE OF THE FITTINGS
TORQUE FOR MOUNTING		15 Nm

- ① COVER PORT PART NUMBER IS 3750000644. DELIVERED UNASSEMBLED
- ② 2-HOLE MOUNTING
- ③ ALTERNATIVE 3-HOLE MOUNTING



WORKING MEDIUM	AIR (WATER, OIL AND ALCOHOL CONTAINING)	
WORKING ENVIRONMENT	AIR (CONTAINING WATER, SALT, DUST AND OIL)	
THERMAL RANGE OF APPLICATION UNDER NORMAL AMBIANT CONDITIONS	-40 °C ... +65 °C SEE PRODUCT SPECIFICATION	
SHORT TERM RESISTANCE TO HEAT	MAX. 90 °C MAX. 100 °C AT 2 h	WITHOUT FUNCTION
WORKING PRESSURE (SUPPLY)	$p_{11} = 8.5 \text{ bar}$	
MAX. PERMISSIBLE WORKING PRESSURE (SUPPLY)	$p_{11} = 10 \text{ bar}$	TEMPORARILY
INSTALLATION LIMITATIONS:	MAX. DEVIATION OF THE DEVICE FROM THE VERTICAL:	$\pm 15^\circ$



General Specification: JED-334-1, Size ISO 14405 LP	Copyright: 2021	ProVia
Further Technical Data: PRO6480000	Date: 2021-09-15	ProVia
Doc. Code: 030	Sheet: 01 To 07	PRO6480000
Class: 1	Series: 1	PRO6480000
File: 1	1:1	PRO6480000
Medium: X	1:1	PRO6480000
Course: 2,0	3,5	5,0
Tapped holes acc. JED-152		1:1
1) Tolerance class: Approx. (unmarked)		1:1
A 0 PRO		PRO 648 000 0
		005 EN 1/1