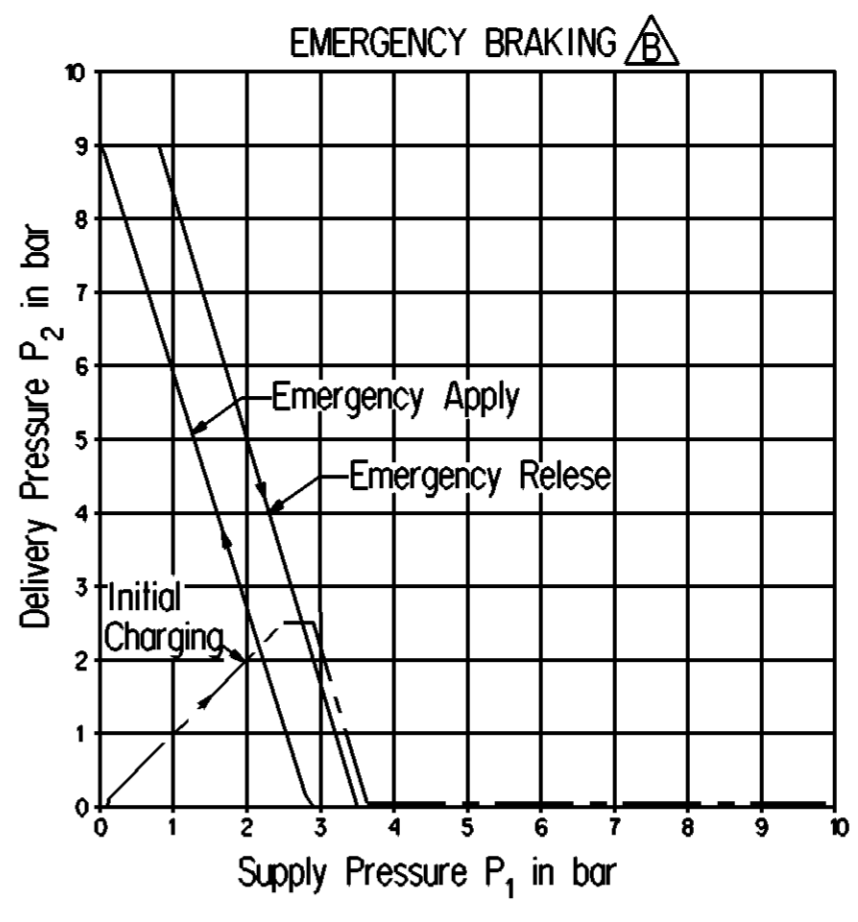
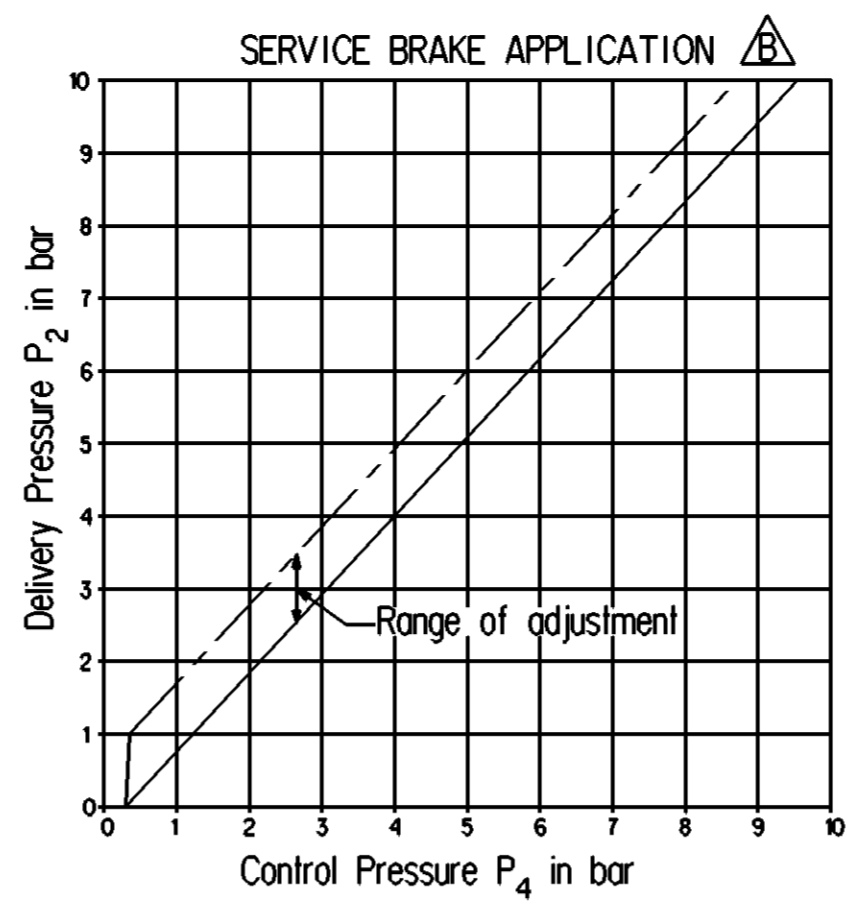
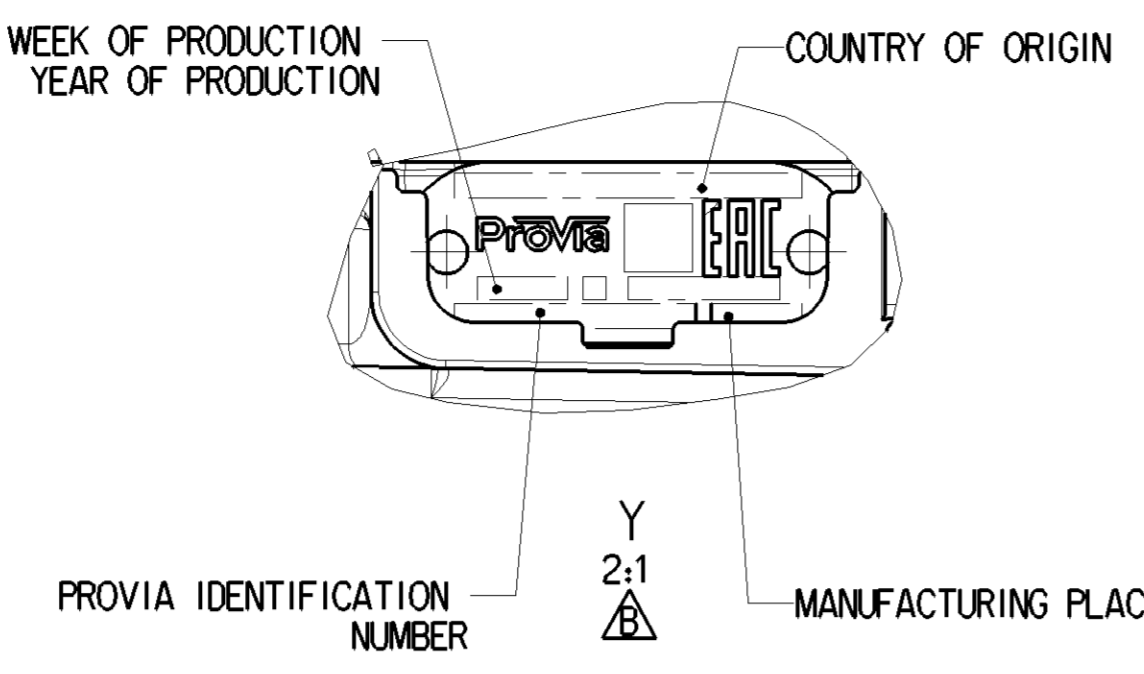
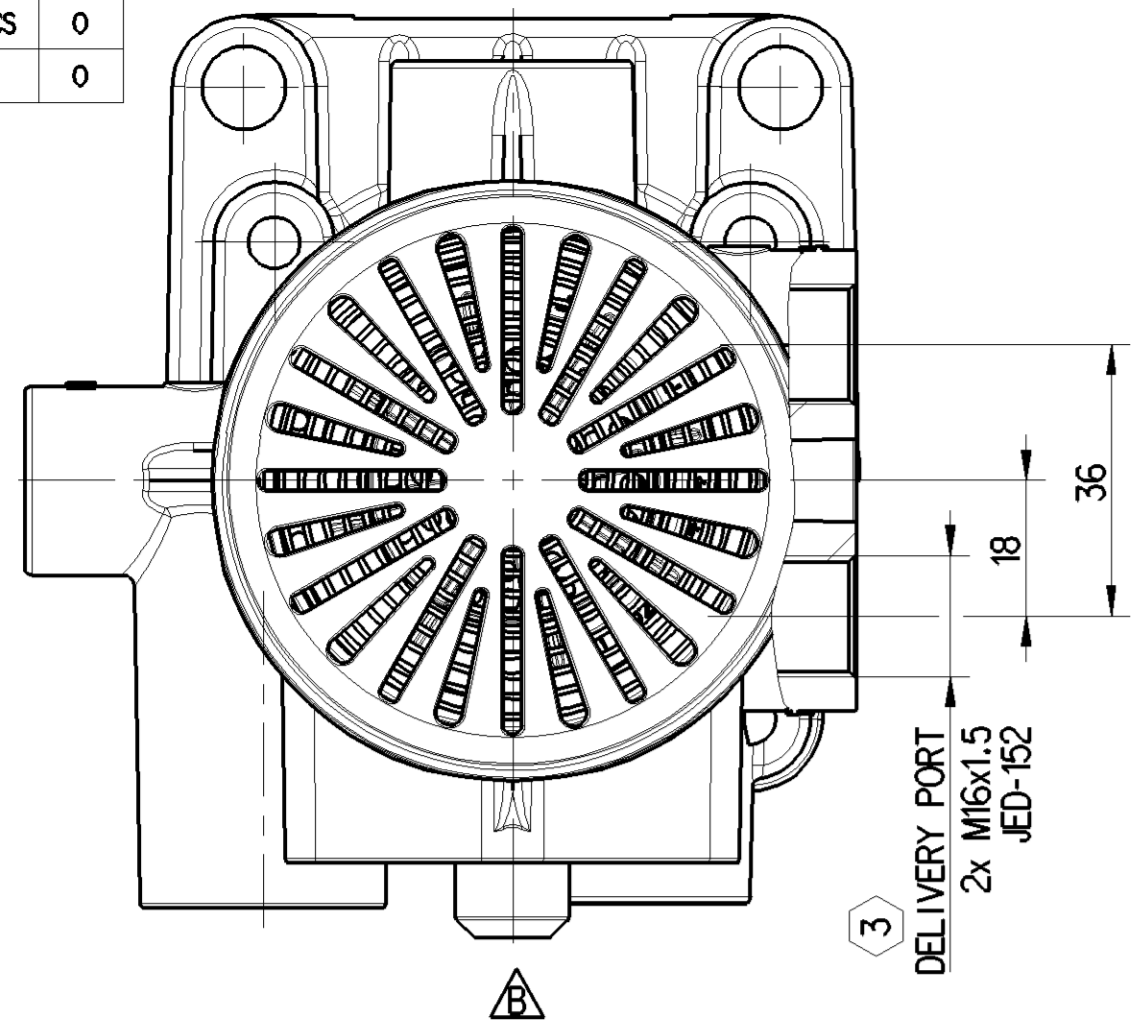
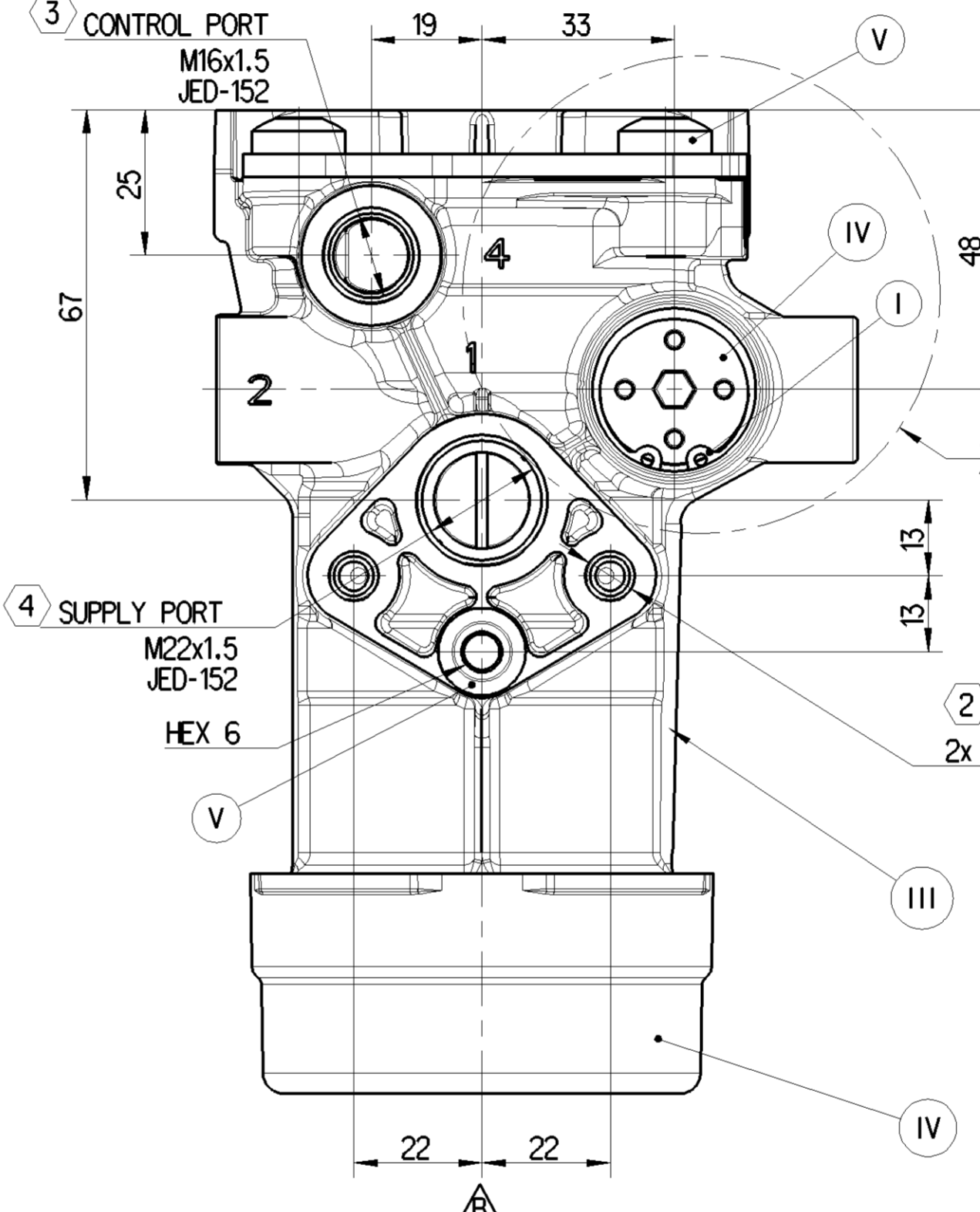
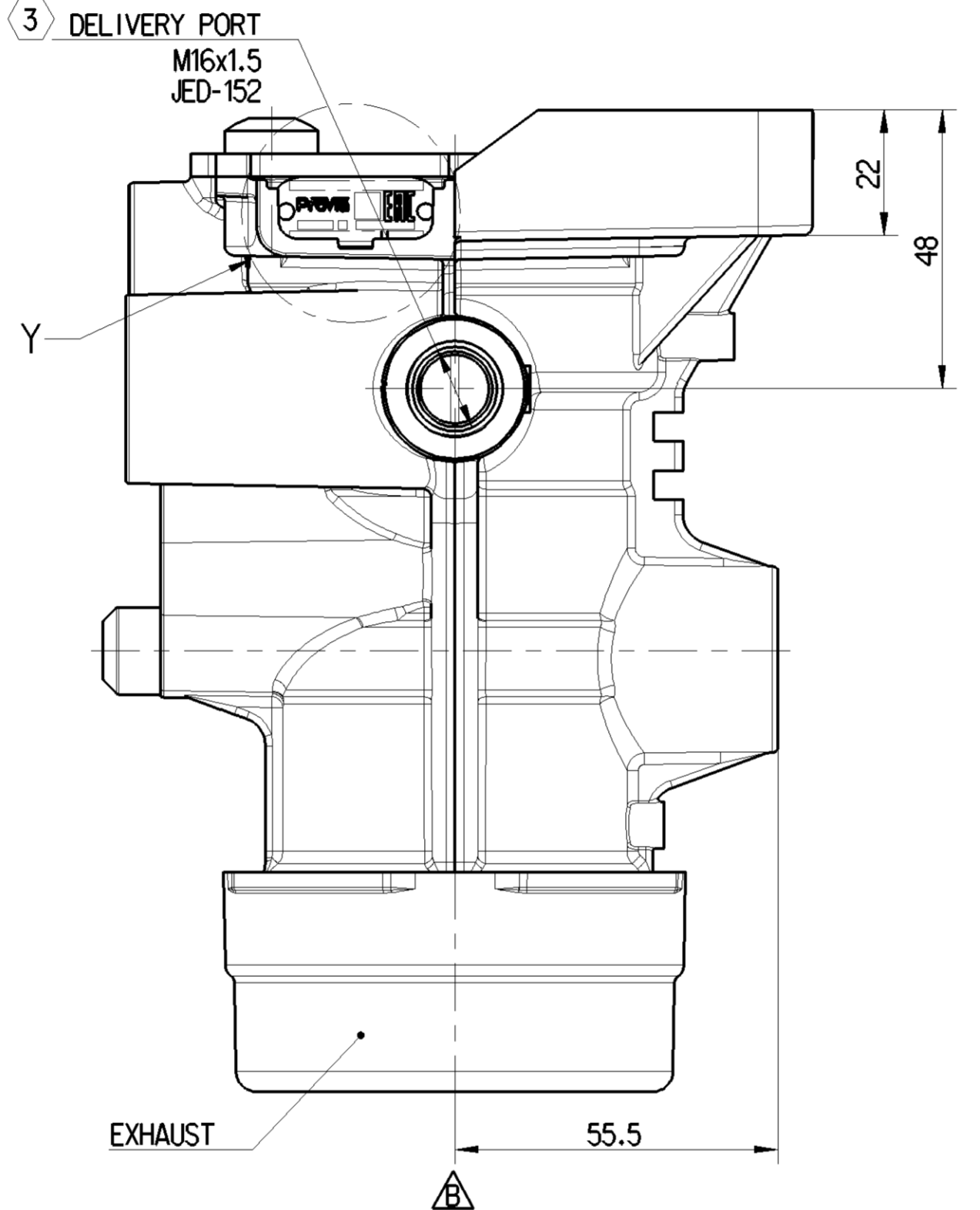
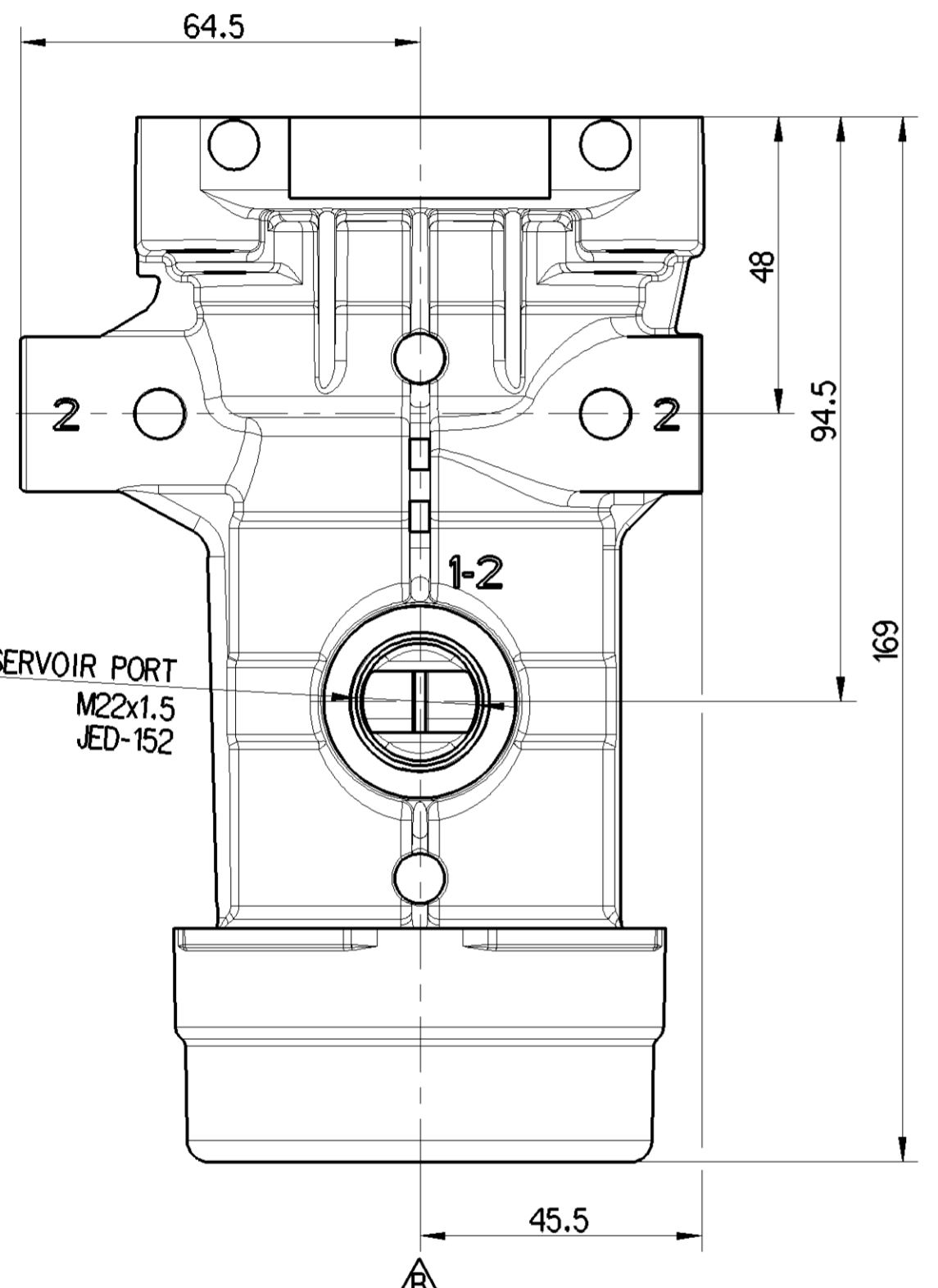


<1> SAFETY CHARACTERISTICS	0
<2> SIGNIFICANT CHARACTERISTICS	0
<C1> CUSTOMER INTERFACE	0



WORKING MEDIUM	AIR
THERMAL RANGE OF APPLICATION	-40° TO +65°C
SHORT TERM RESISTANCE TO HEAT	MAX. 1h AT 110°C
NOMINAL WORKING PRESSURE	9 bar
MAXIMUM WORKING PRESSURE	10 bar
PREDOMINANCE ADJUSTMENT RANGE PRESSURE	0 TO 0.7 bar
FILLING CRACK-OFF	0.5 bar MAX.
RELAY RATIO	>1
CRACK-OFF PRESSURE (WITHOUT PREDOM)	0.3 bar MAX. (+65°C TO -20°C) 0.35 bar MAX. (-20°C TO -40°C)
INSTALLATION POSITION	VERTICAL ±60° ALLOWED
PORT 1	SUPPLY PORT
PORT 1-2	RESERVOIR PORT
PORT 2 (3x)	DELIVERY PORT
PORT 4	CONTROL PORT
TIGHTENING TORQUE FOR MOUNTING BOLTS	45±2 Nm

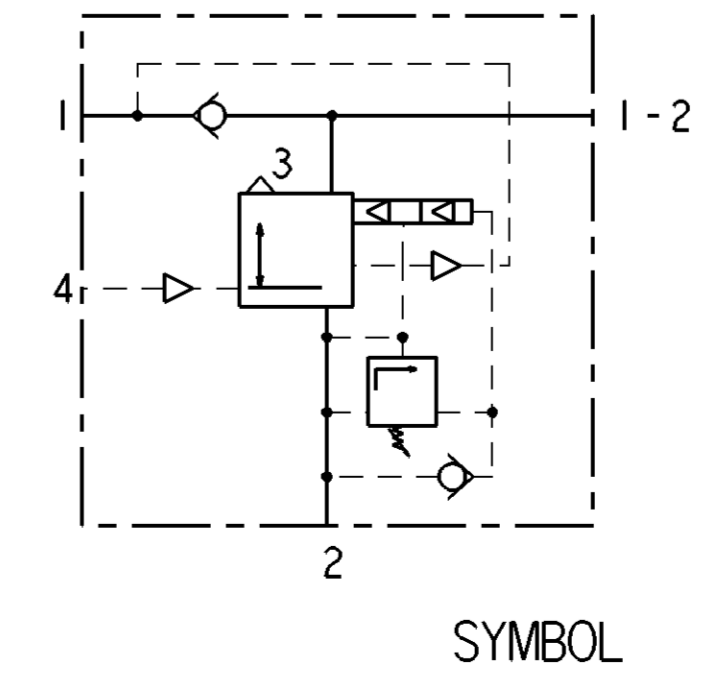
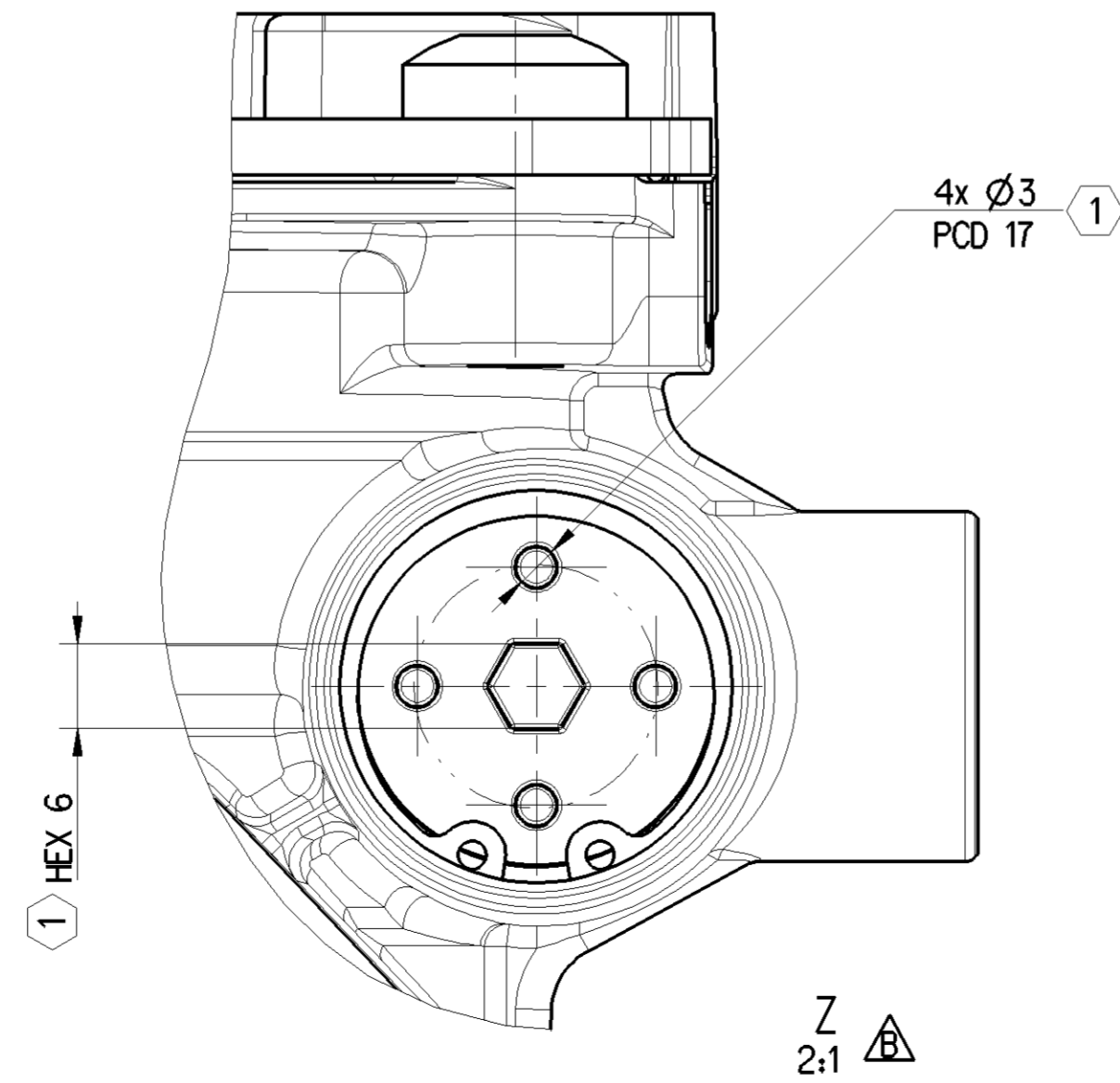
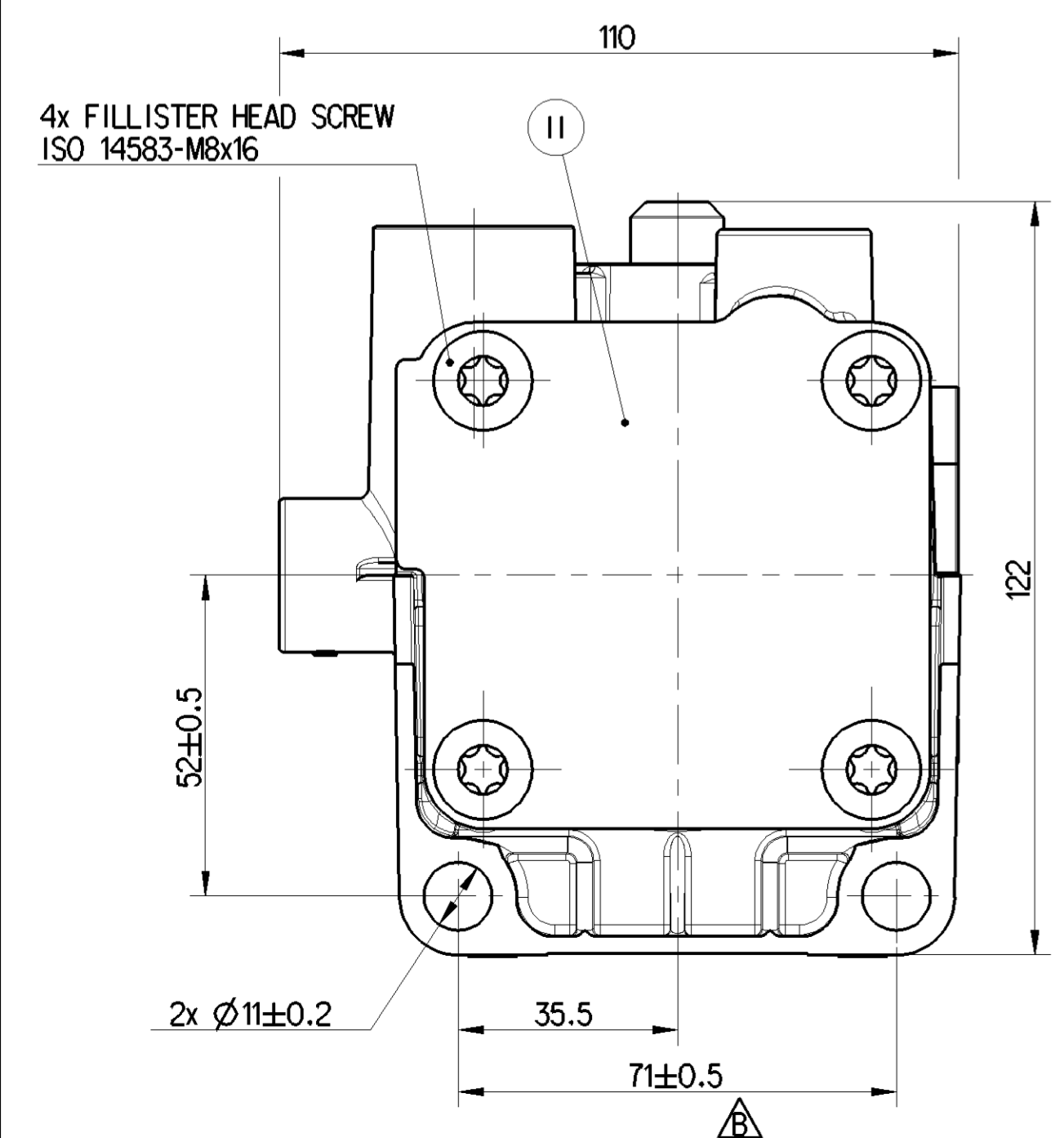


CONDITION	FROM	TO	NOMINAL DIAMETER
FILLING	PORT 1	PORT 1-2	≥10 mm
BRAKING	PORT 1-2	PORT 2	≥11.5 mm
EXHAUSTING	PORT 2	PORT 3	≥10.6 mm

V	STEEL	ZINC NICKEL PLATED
IV	PLASTIC	NO TREATMENT
III	ALUMINIUM ALLOY	CHROMATED
II	STEEL	POWDER COATED
I	STEEL	ZINC PLATED
PART CODE	MATERIAL	SURFACE PROTECTION

NOTE:  
 1 PREDOMINANCE ADJUSTMENT  
 2 ATTACHMENT OF TRAILER RELEASE VALVE RECOMMENDED TORQUE: 18±2 Nm

RECOMMENDED TORQUE FOR FITTINGS:  
 3 THREAD-M16x1.5, TIGHTENING TORQUE: 30 TO 35 Nm  
 4 THREAD-M22x1.5, TIGHTENING TORQUE: 34 TO 40 Nm



General Specifications: JED-334-1 - Size ISO 14405 LP		Copyright WABCO®	
Further Technical Data: PRO 648 001 0		Date: 2022-06-01	Signature: Saravanan
Doc. Code: 035	Sheet: 01 To 36	Checked: Palaniswamy	Expert: Kolkowski
General Tolerances JED-261			
Range of Nominal Dimensions (± mm)			
Class	1)	≤ 50	> 50 &lt; 180
Fine		0.5	1.0 1.5 2.0
Medium	X	1.0	2.0 3.0 4.0 ±3°
Coarse		2.0	3.5 5.0 6.5
Tapped Holes acc.			
1) Tolerance Class Applied Crossmarked			
Mass	239 kg	Scale	1:1
Size	2:1	Scale	2:1
A 1 CREO		Material No.	PRO 648 001 0
EOL-No.		Revision	5250_AM
507937		28x	B
Date of first issue: 2017-07-19		Doc.Code	005
Language		EN	1/1
Sheet		Replacement for	

Non è permesso copiare o riprodurre questo documento, né utilizzare il contenuto in modo commerciale, senza permesso scritto dalla WABCO. È vietata espressamente la ristampa o l'uso non autorizzato. Toute réimpression ou utilisation non autorisée sans la permission écrite de la WABCO est formellement interdite. Toute utilisation non autorisée sera considérée comme acte de contrefaçon et sera poursuivie en justice.