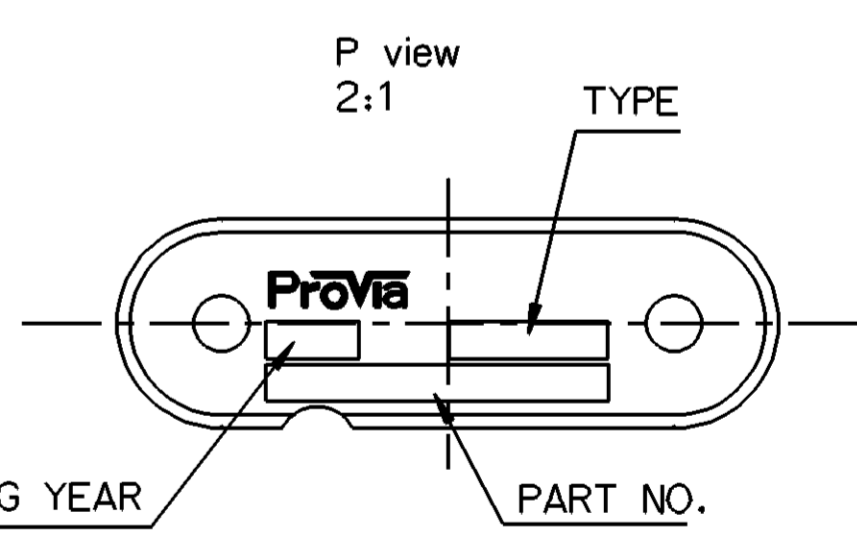
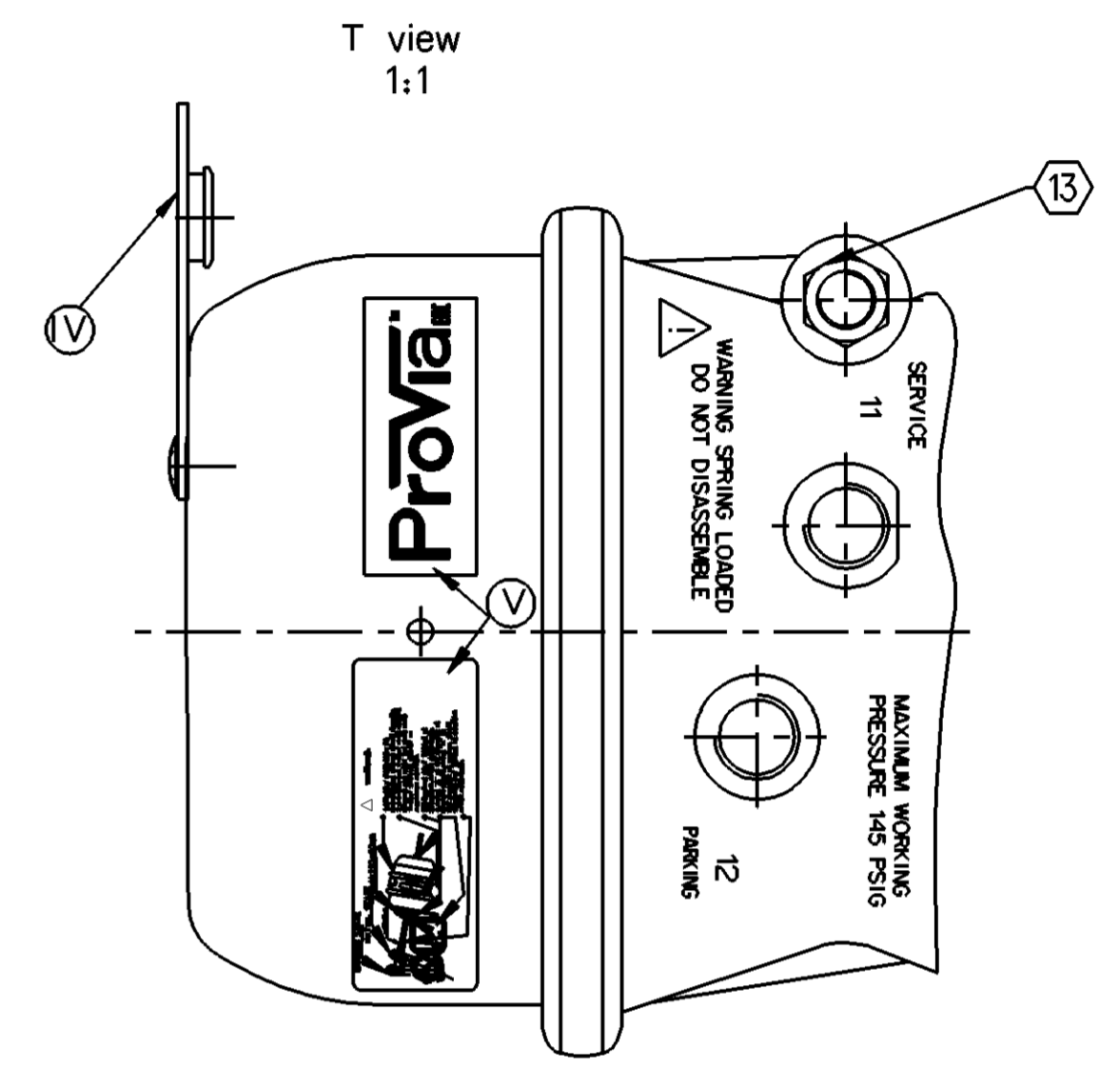
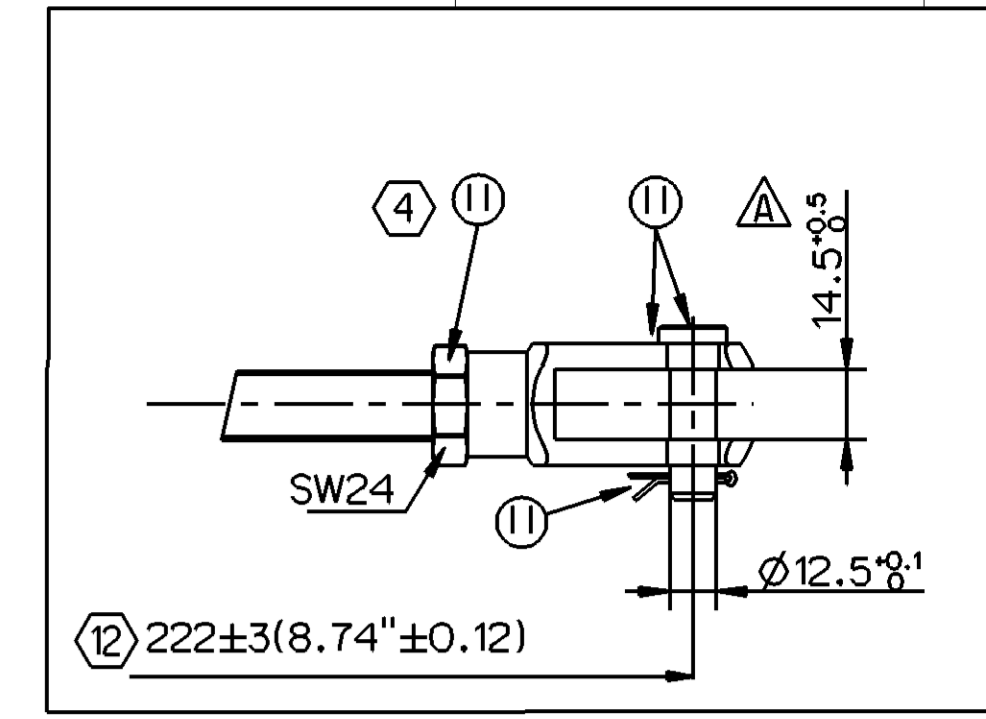
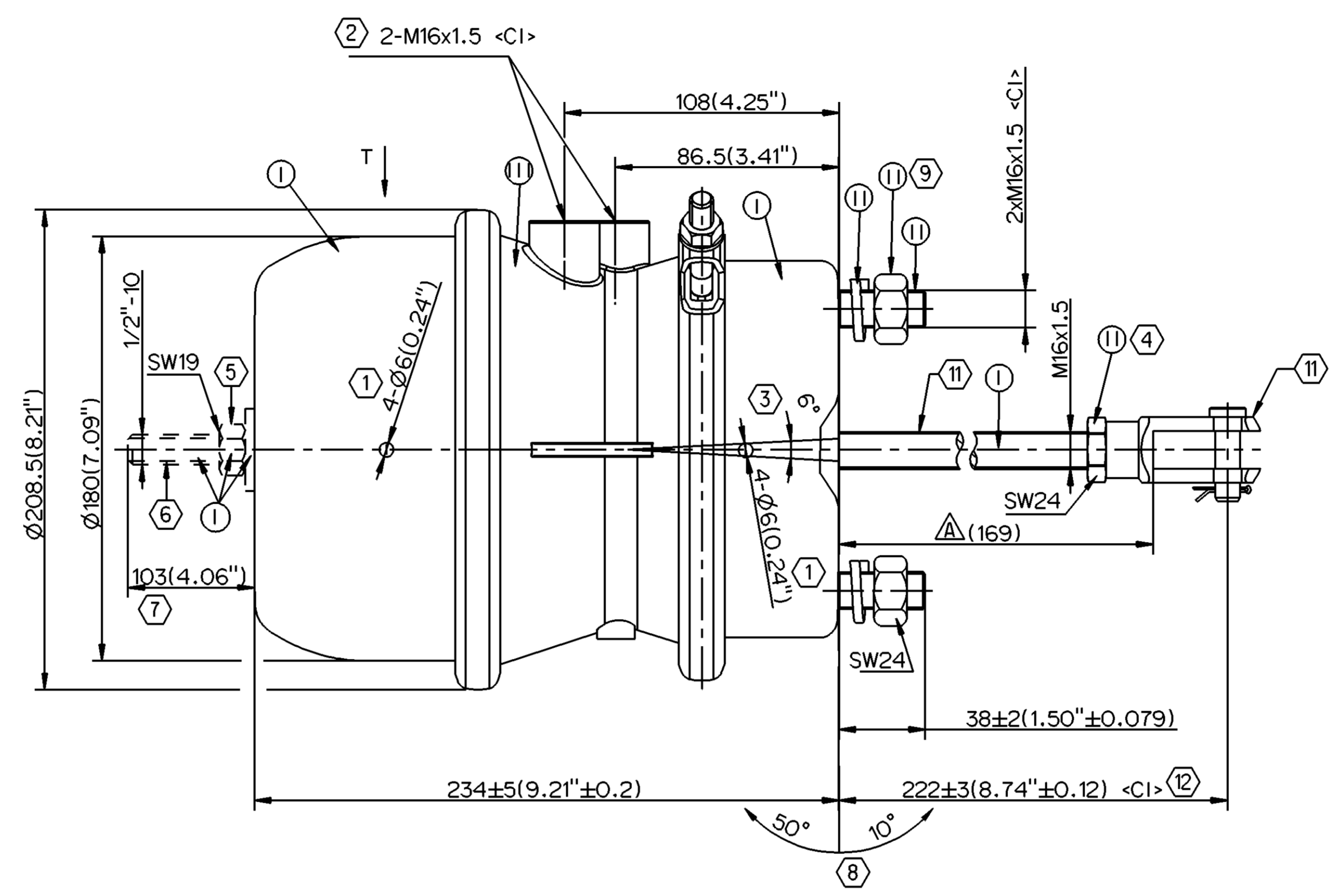
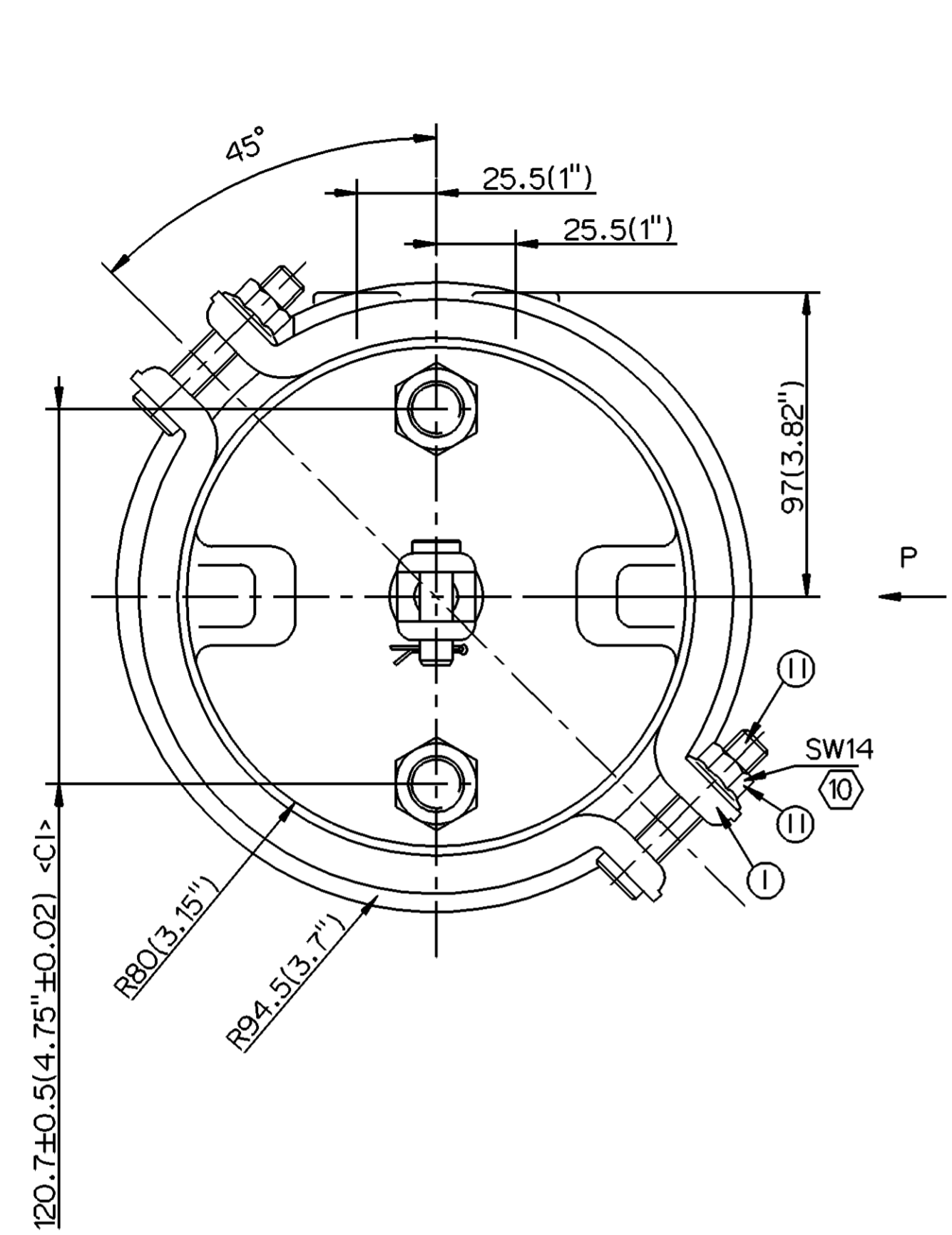
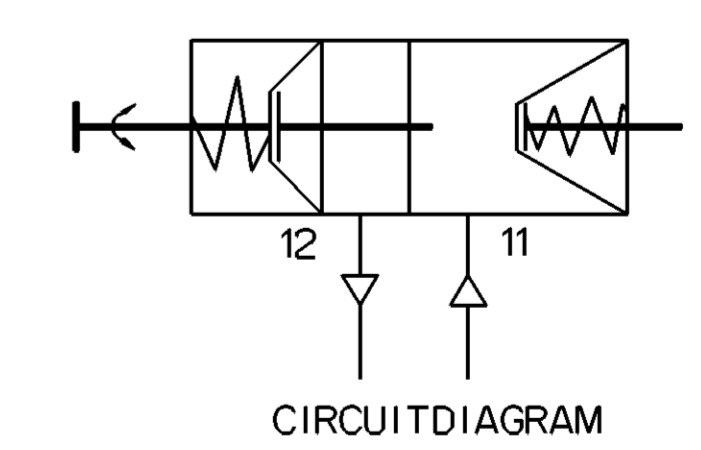


EXTERNAL SURFACE	
I	ELECTRO-PAINTING
II	ZINC PLATED WITH CR6+ FREE
III	SURFACE OXIDIZATION
IV	HARD POLYETHYLENE
V	STICKER

<I>	SAFETY CHARACTERISTICS	0
<II>	SIGNIFICANT CHARACTERISTICS	0
<CI>	CUSTOMER INTERFACE	4



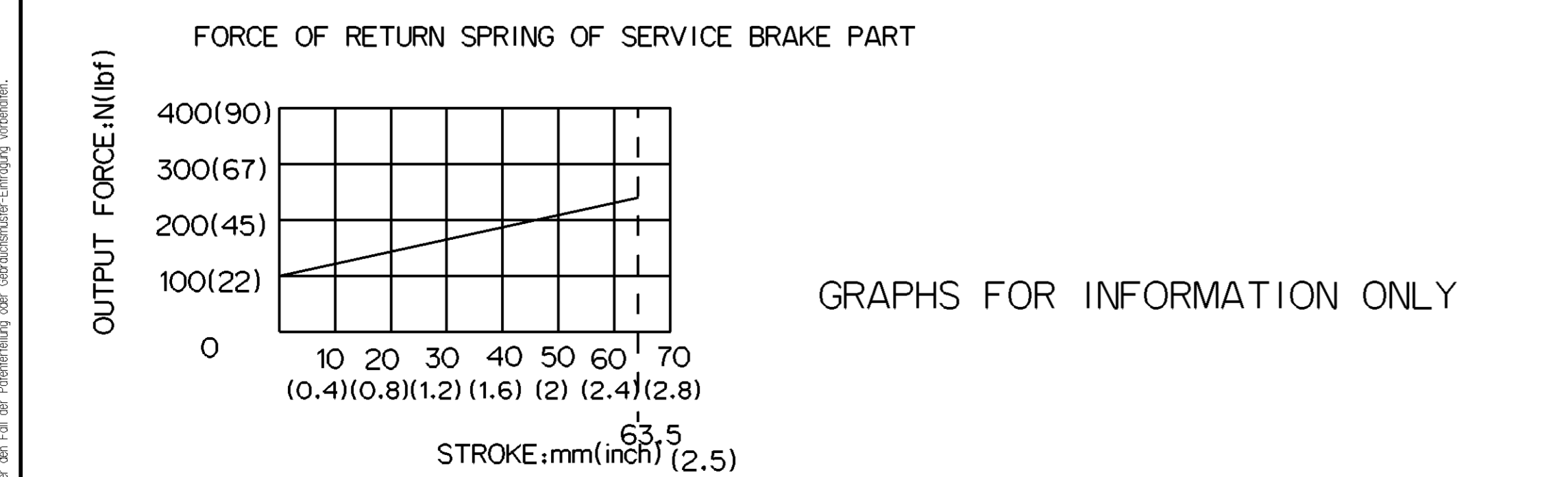
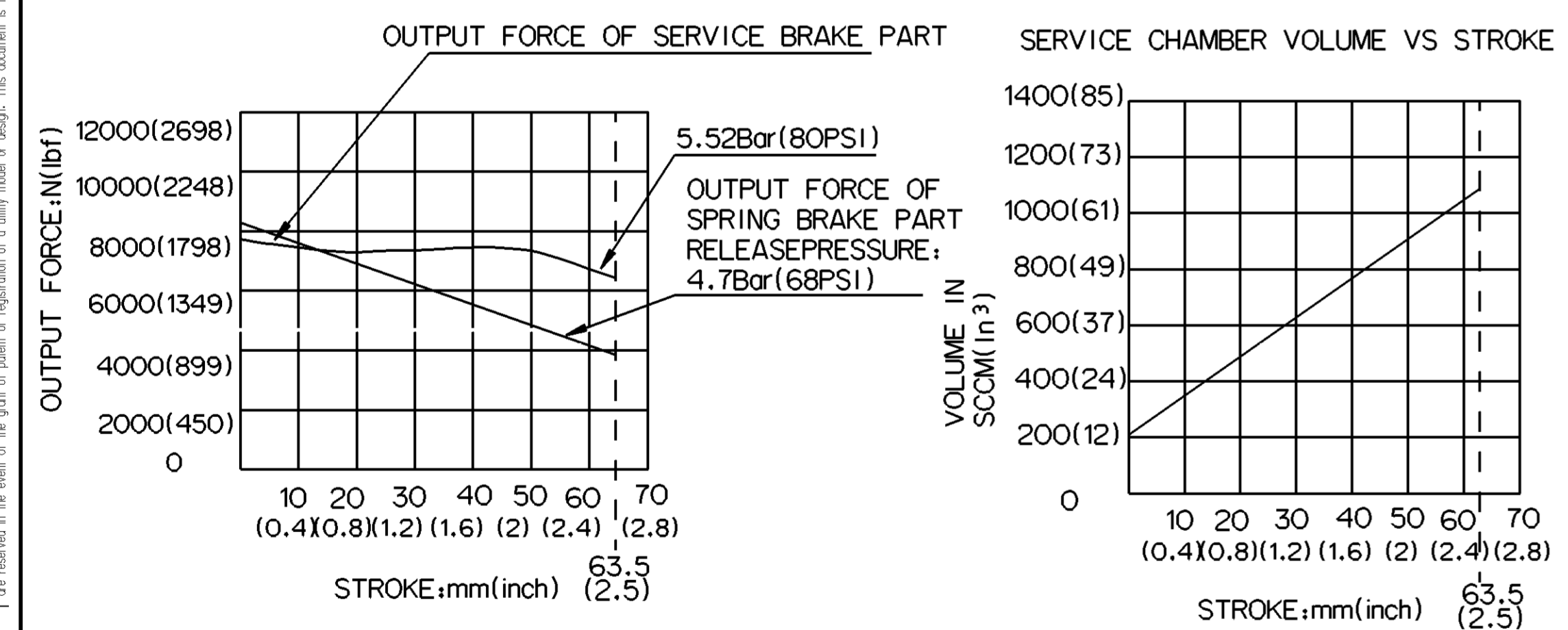
WEEK NO. AND MANUFACTURING YEAR



- ① OPEN BREATHER HOLE, DEFLECTION ANGLE  $\pm 30^\circ$
- ② TORQUE:  $45 \pm 5 \text{ Nm}$
- ③ DEFLECTION: MAX  $6^\circ$  AT 0mm STROKE
- ④ TORQUE:  $80 \pm 10 \text{ Nm}$
- ⑤ TORQUE: MAX 25Nm
- ⑥ CONDITION AS SUPPLIED: SPRING RELEASED
- ⑦ SIZE WHEN SPRING COMPRESSED
- ⑧ PARTIAL DEFLECTION ANGLE ALLOWED
- ⑨ TORQUE:  $220 \pm 20 \text{ Nm}$
- ⑩ TORQUE:  $\geq 25 \text{ Nm}$
- ⑪ DURING DELIVERY CONDITION YOKE WILL BE ASSEMBLED WITH PUSH ROD WITH LIMITED TORQUE. YOKE NEED TO BE TIGHTENED WITH TORQUE OF  $80 \pm 10 \text{ Nm}$  BY CUSTOMER DURING INSTALLATION IN VEHICLE.
- ⑫ STAND-OUT DIMENSION AFTER ASSEMBLING YOKE
- ⑬ TIGHTENING TORQUE  $M=20 \pm 5 \text{ Nm}$

TECHNICAL REQUIREMENT:

- STROKE-PARKING CHAMBER:  $\geq 63.5 \text{ mm (2.5'')}$   
SERVICE CHAMBER:  $\geq 63.5 \text{ mm (2.5'')}$ ;
- WORKING PRESSURE: APPLIED PRESSURE 8Bar (116PSI);  
MAX. WORKING PRESSURE: 10Bar (145PSI);
- WORKING TEMPERATURE:  $-40^\circ\text{C} \dots +80^\circ\text{C} (-40^\circ\text{F} \dots +176^\circ\text{F})$ ;
- THE DRAWING IS AT CAGED CONDITION, THE PARKING CHAMBER WILL BE AT UNCAGED CONDITION DURING SHIPMENT



GRAPHS FOR INFORMATION ONLY

General Specifications: ISO 8015, JED-334-1, Size ISO H4405 LP		Copyright ZF*																
Further Technical Data: PRO 392 202 0		Date	Signature															
Doc. Code: 035	Sheet: 1 To 2	2023-05-09	Murugan															
General Tolerances JED-261		Checked	Manivannan															
Range of Nominal Dimensions (± mm)		Dimensions in mm																
Class	1) $\leq 50$	$> 50$	$> 180$	$> 400$	Mass	Scale	Material No.	Date of first issue: 2023-05-09										
Fine	$\pm 0.5$	$\pm 1$	$\pm 1.5$	$\pm 2$					8.5	NTS	PRO 712 019 0	005	EN	1/1				
Medium	$\pm 1$	$\pm 2$	$\pm 3$	$\pm 4$					kg						Revision	Tech. Resp.	Replacement for	
Coarse	$\pm 2$	$\pm 3.5$	$\pm 5$	$\pm 6.5$					Size									CAD System
Tapped Holes acc. -		A 1		CREO														
1) Tolerance Class Applied Crossmarked																		

Non è permesso copiare o riprodurre questo documento, né utilizzare il contenuto o i marchi commerciali senza permesso scritto dalla ZF. È vietata espressamente la ristampa o l'uso non autorizzato di questo documento. Toute réimpression ou utilisation non autorisée sans la permission écrite de la ZF est formellement interdite. Toute réimpression ou utilisation non autorisée sans la permission écrite de la ZF est formellement interdite.