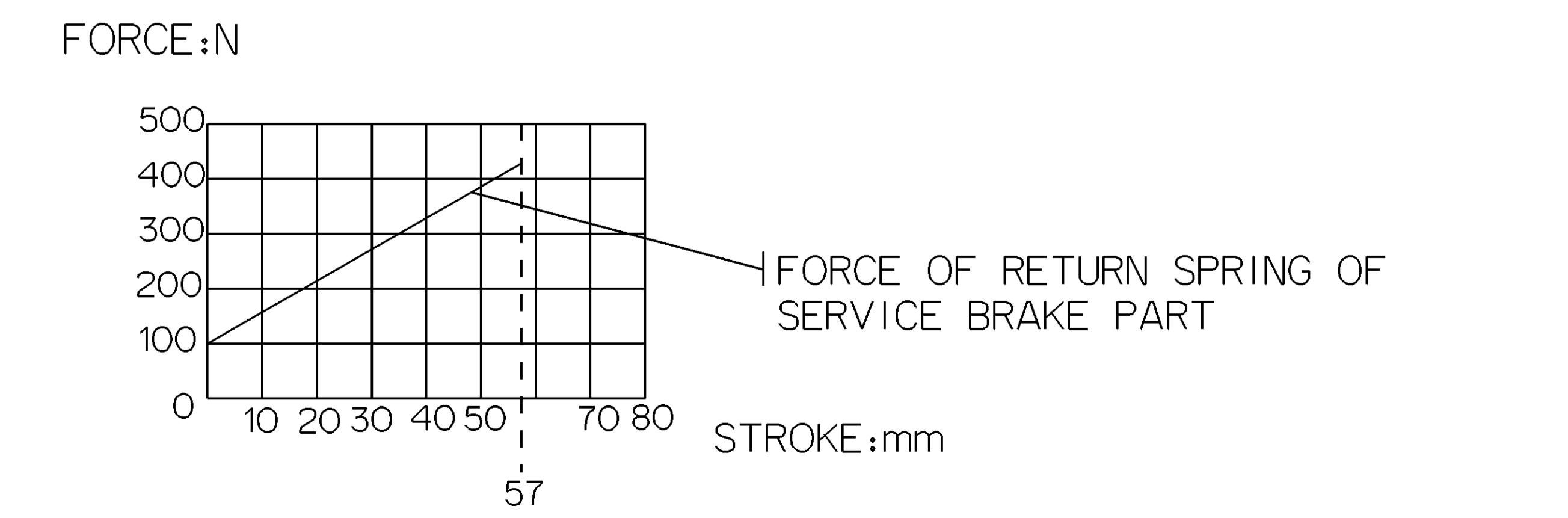
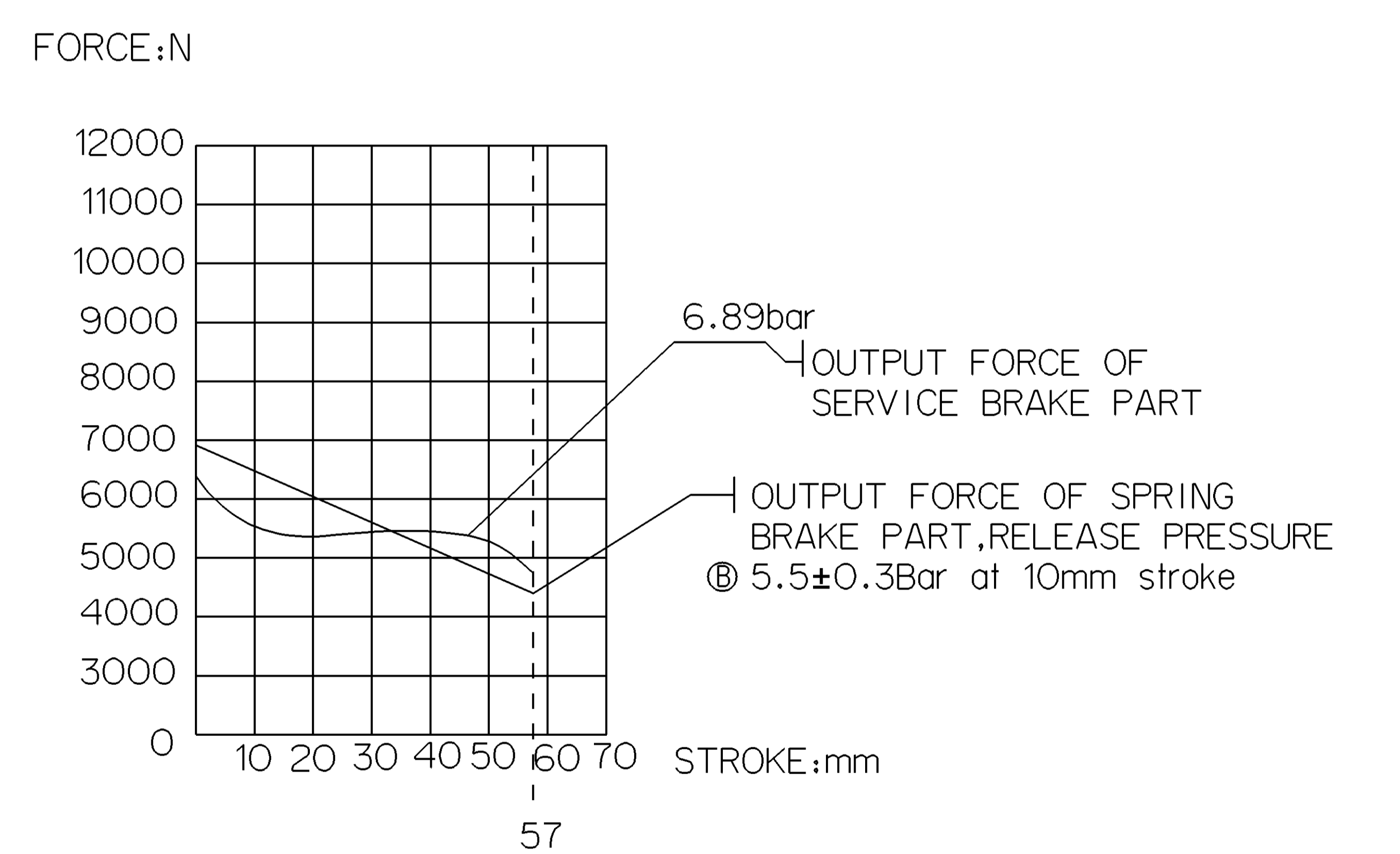
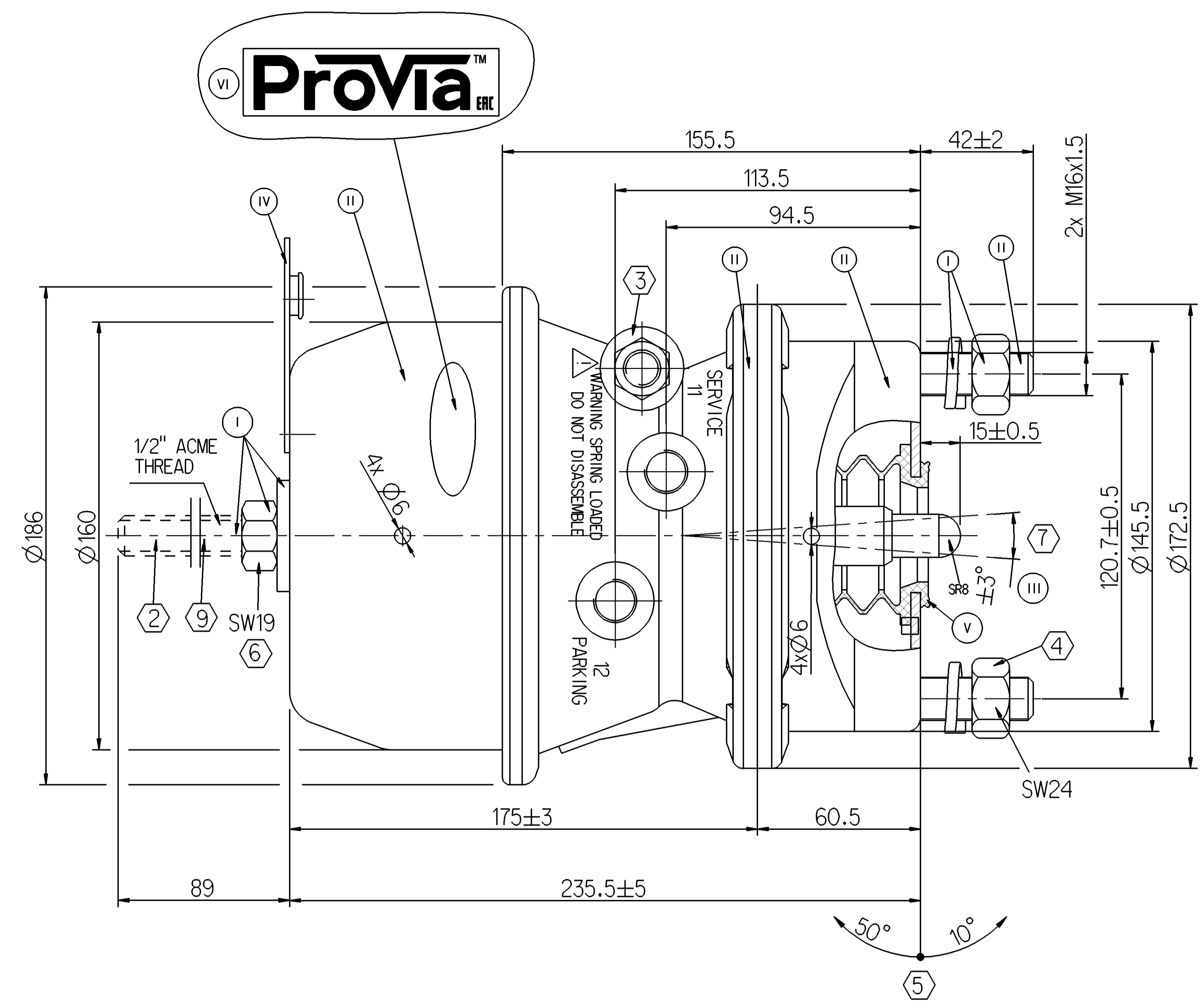
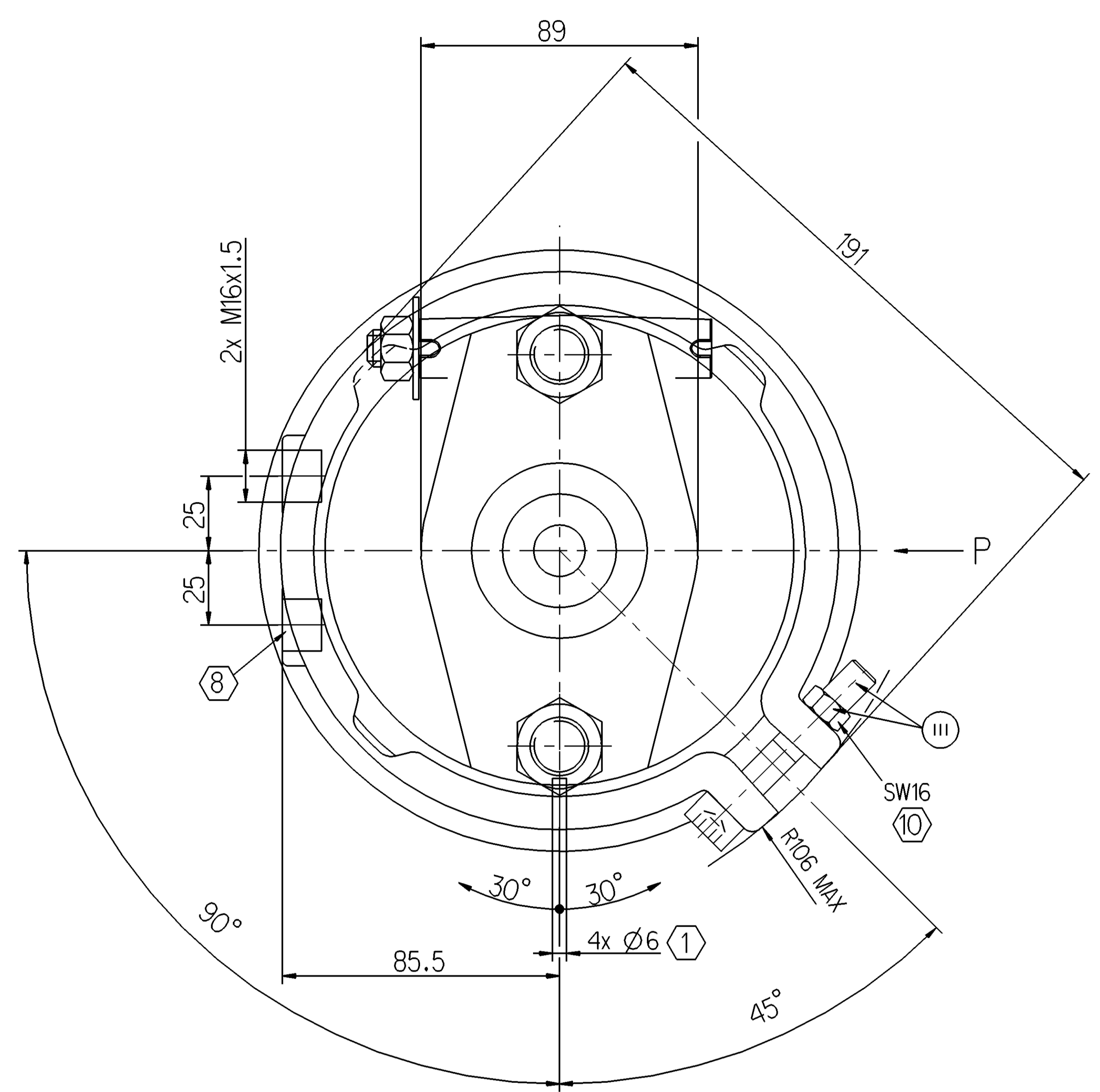
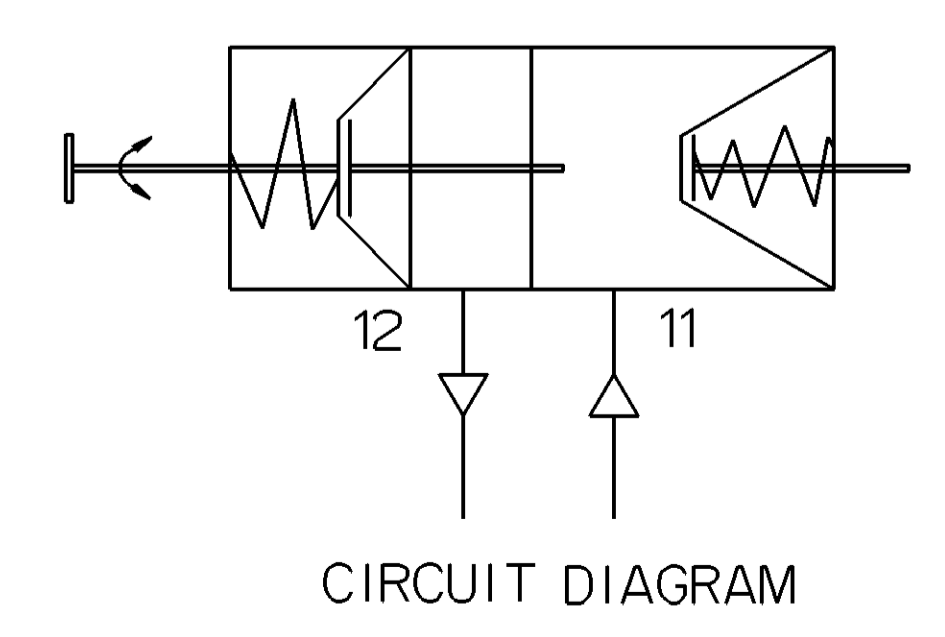
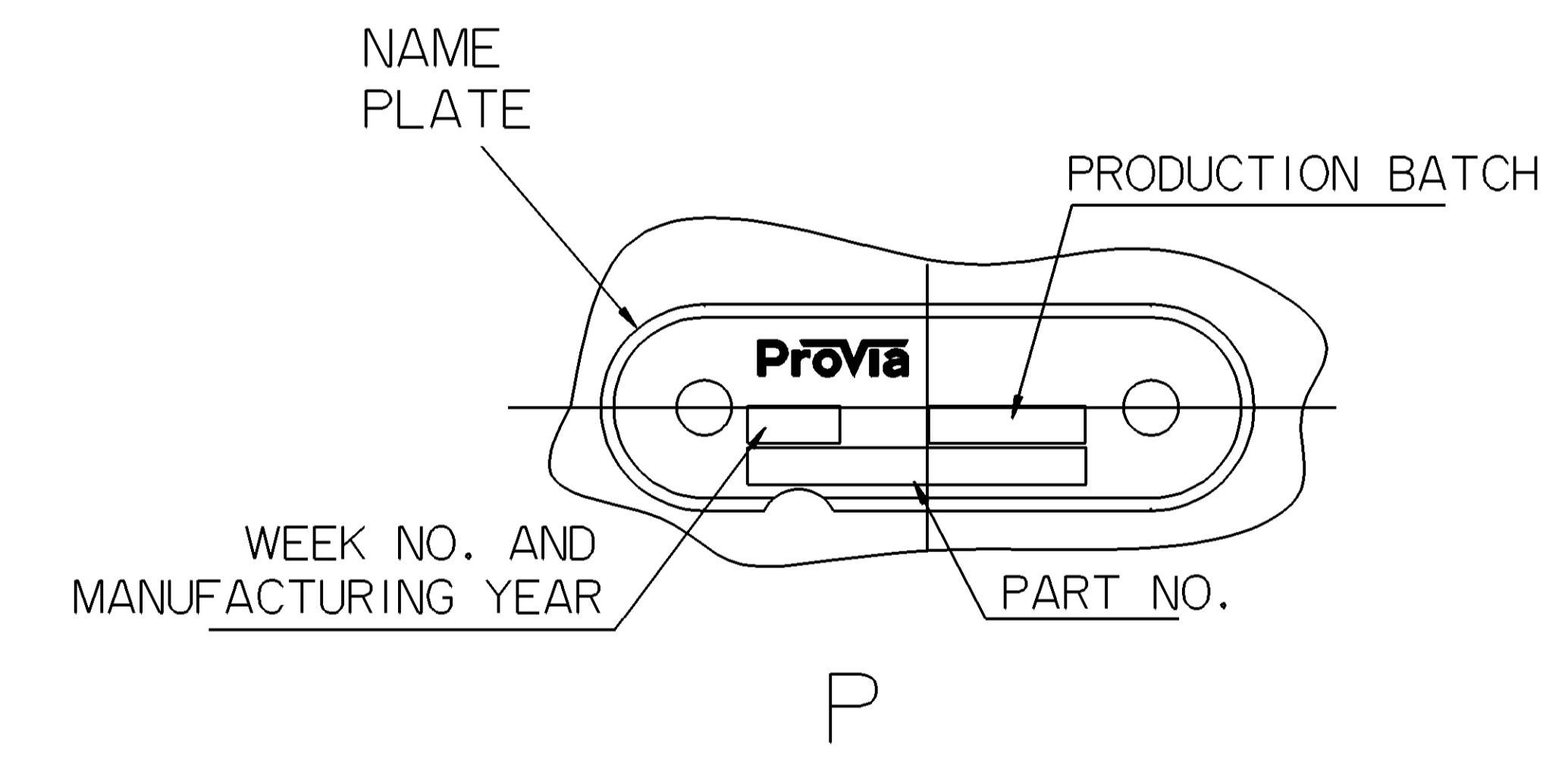


SURFACE PROTECTION	
I	ZINC PLATED WITH CR6+ FREE
II	ELECTRO-PAINTING
III	DACROMET
IV	HARD POLYETHYLENE
V	RUBBER
VI	STICKER



- ① OPEN BREATHER HOLE
- ② CONDITION AS SUPPLIED : SPRING BRAKE APPLIED
- ③ FIXTURE OF RELEASE BOLT TORQUE: 22.5±2.5 Nm
- ④ TORQUE: 220±20 Nm
- ⑤ ADMISSIBLE INSTALLATION POSITION
- ⑥ TORQUE:MAX.25Nm
- ⑦ DEFLECTION: 6° MAX AT STROKE:0 mm
- ⑧ TORQUE: 34Nm MAX.
- ⑨ RELEASED POSITION
- ⑩ TORQUE: ≥25Nm

TECHNICAL REQUIREMENT
 1.STROKE:
 PARKING CHAMBER: ≥57mm
 SERVICE CHAMBER: ≥57mm;
 2.WORKING PRESSURE:
 SERVICE CHAMBER: Pmax 10.5 bar, TEMPORARILY 13 bar MAX;
 PARKING CHAMBER: Pmax 8.5 bar, TEMPORARILY 10 bar MAX
 3.WORKING TEMPERATURE:-40°C..+80°C
 4.THE DRAWING IS AT CAGED CONDITION,THE PARKING CHAMBER WILL BE AT UNCAGED CONDITION DURING SHIPMENT



GRAPHS FOR INFORMATION ONLY

General Specification: EB-334-1, Size ISO 14405 LP		Copyright: ProVia	
Further Technical Data: PRO 712 0		Doc. Code: 043	
Date: 2019-08-19		Version: 1 To 7	
Drawn: Sharmagan S		Checked: 16/24	
Approved: 16/24		Project: 16/24	
Range of Nominal Dimensions (mm)		Class: 1	
Fine: 0.5, 1.0, 1.5, 2.0		Medium: 3.0, 4.0, 5.0	
Coarse: 2.0, 3.5, 5.0, 6.5		Surface: 12.5, 25, 50, 100, 200, 400	
Tapped Holes acc.:		Material No.: 005	
A 0		Revision: 1	
CSE0		Tech. Resp: 005	
S02293		Drawn by: 005	
1		EN	
1		1/1	