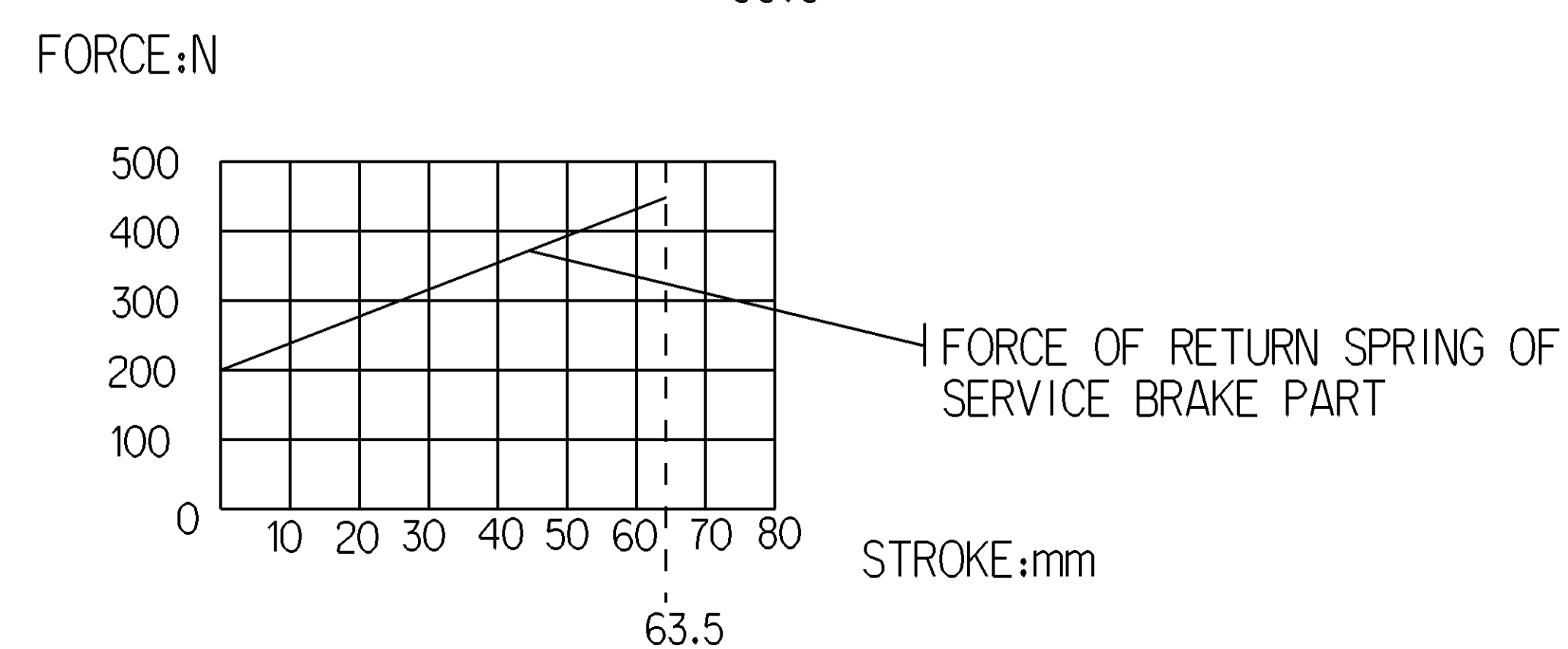
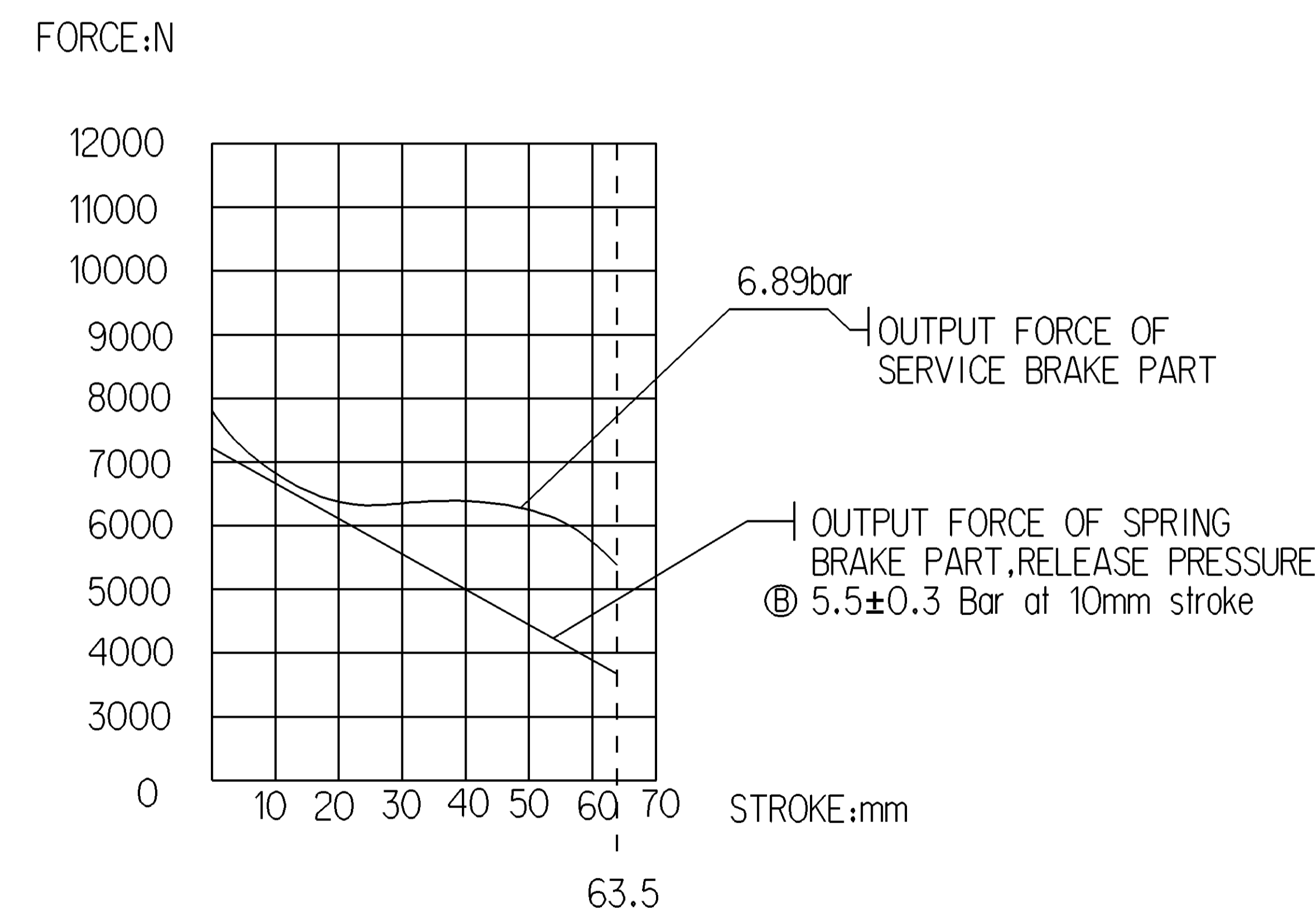
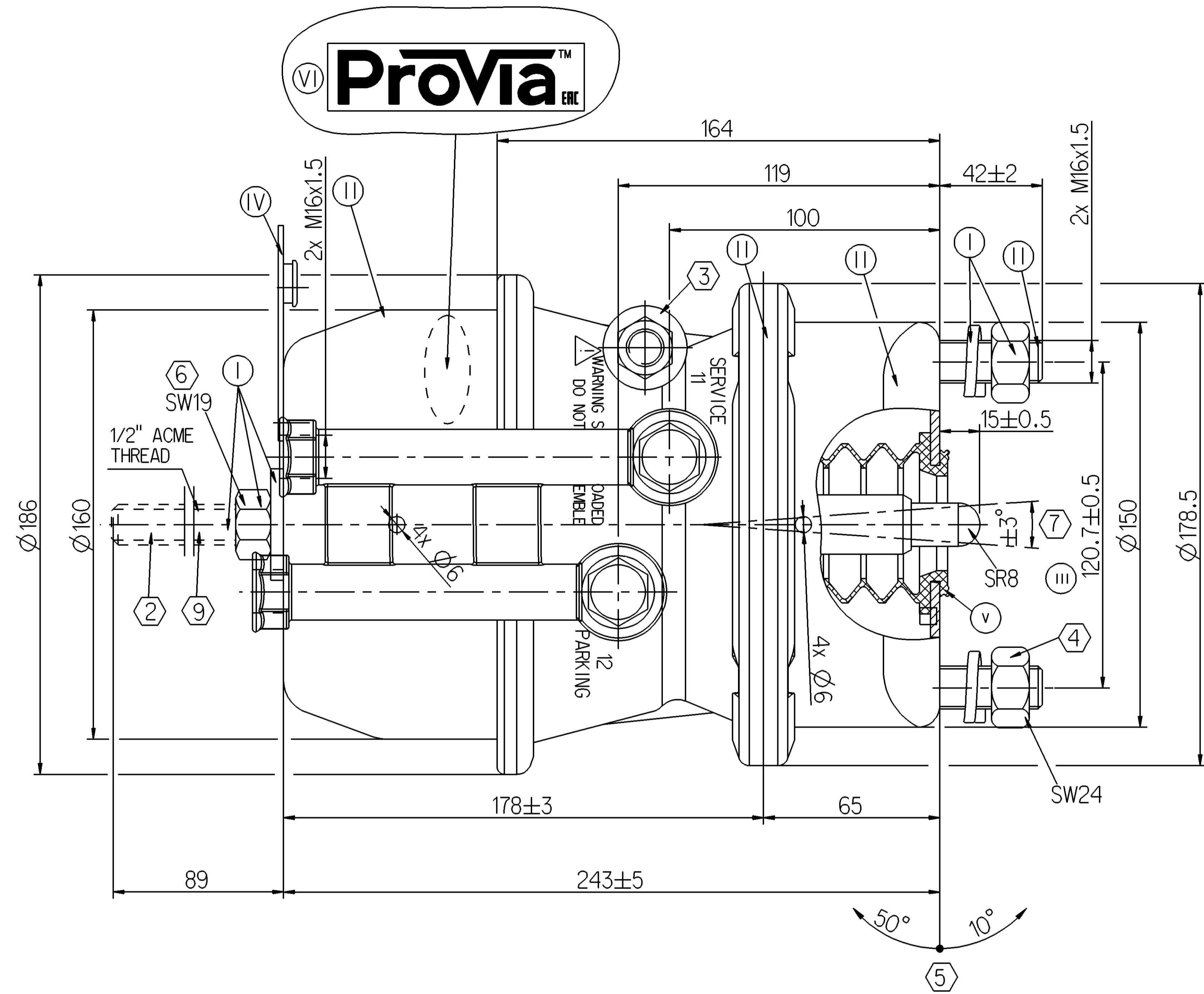
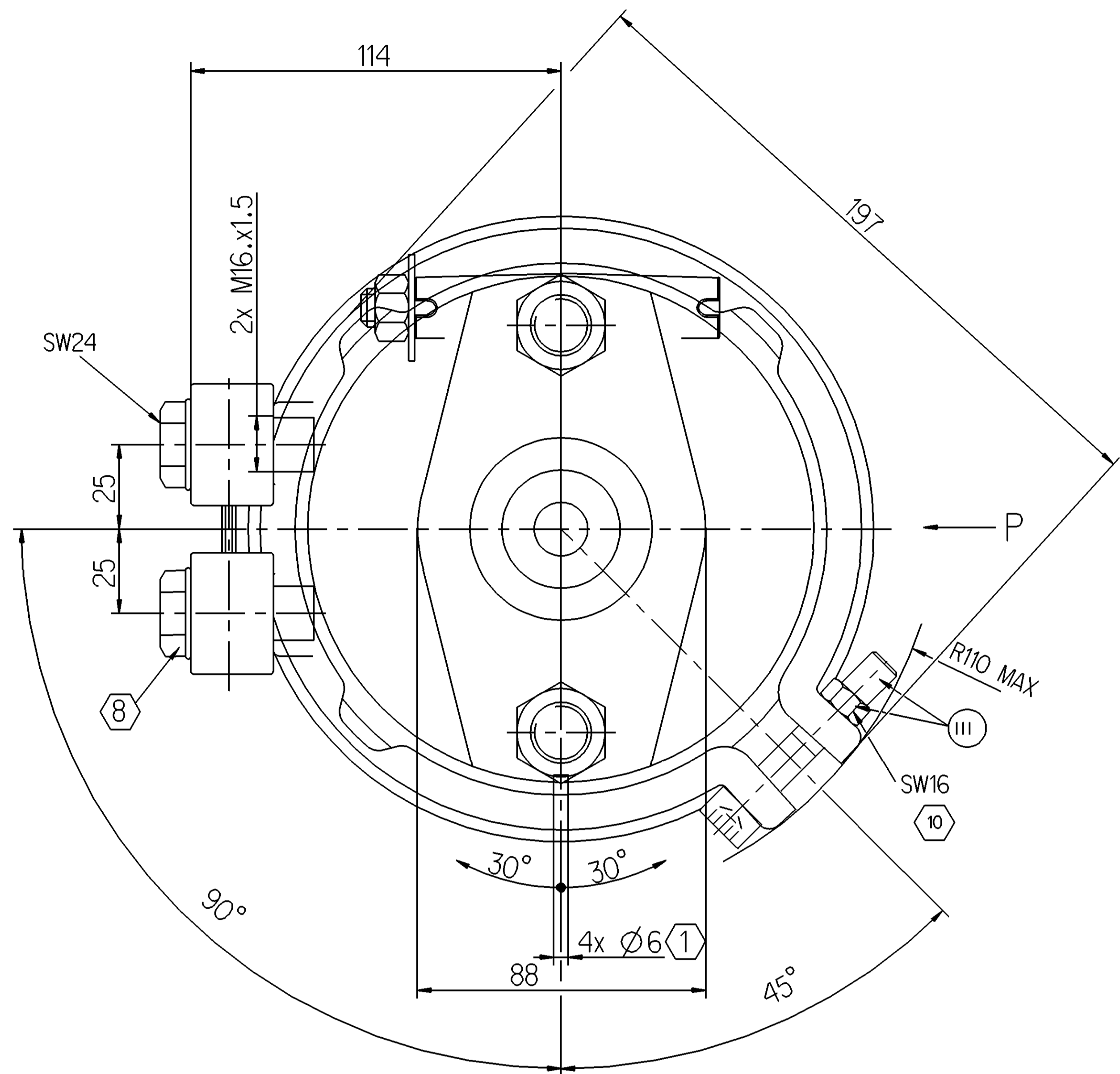


SURFACE PROTECTION

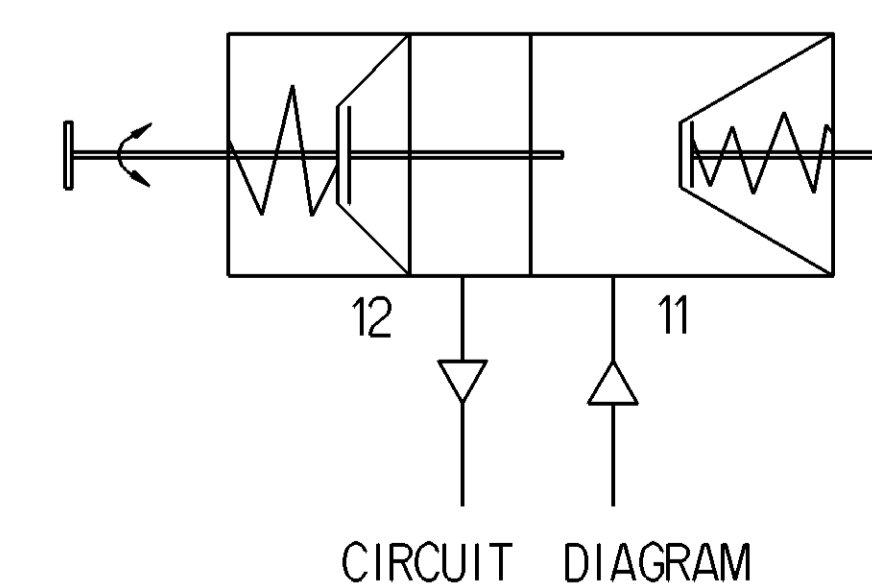
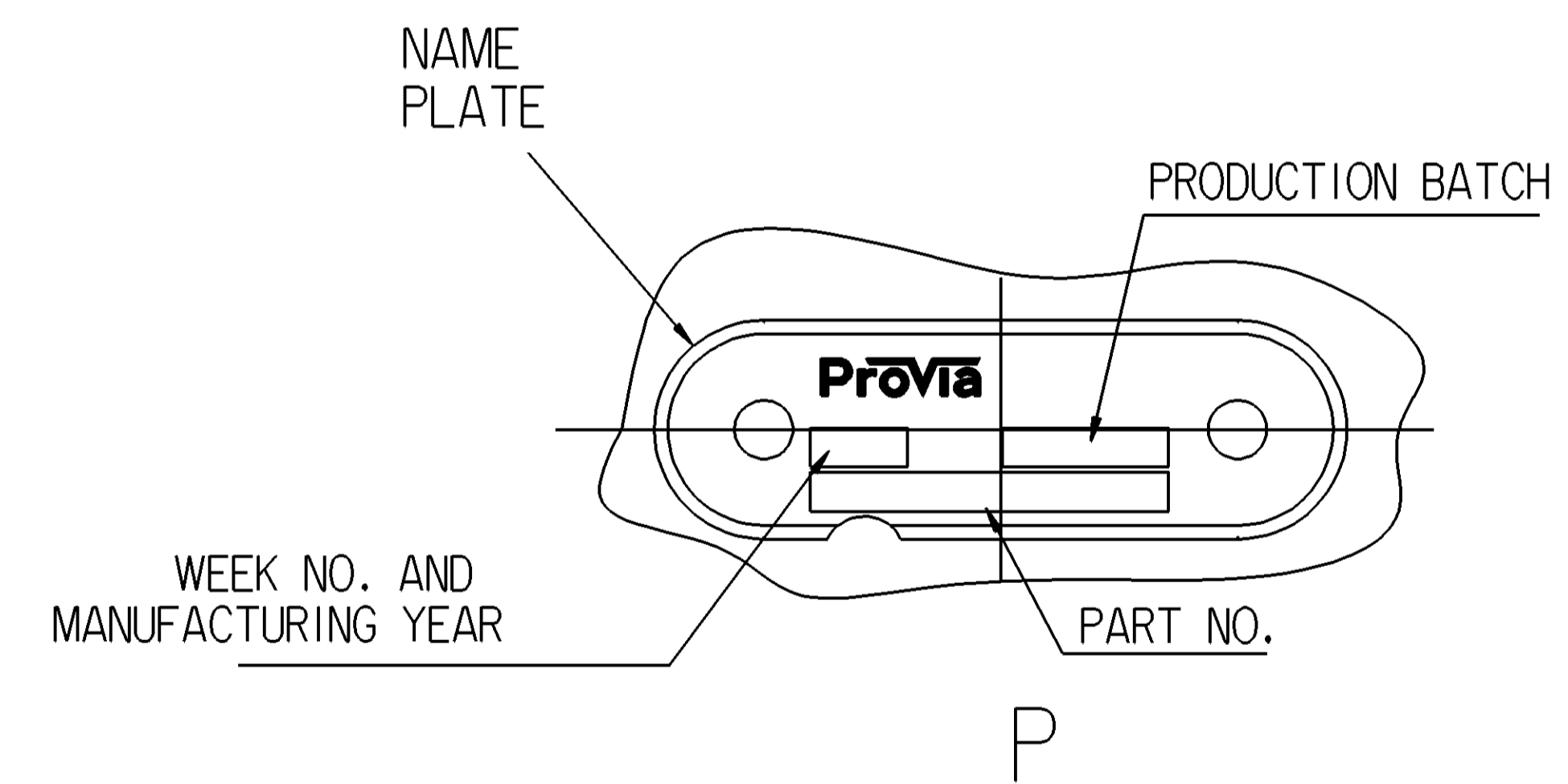
I	ZINC PLATED WITH CR6+ FREE
II	ELECTRO-PAINTING
III	DACROMET
IV	HARD POLYETHYLENE
V	RUBBER
VI	STICKER



- Ⓛ OPEN BREATHER HOLE
- Ⓜ CONDITION AS SUPPLIED : SPRING BRAKE APPLIED
- Ⓨ FIXTURE OF RELEASE BOLT TORQUE: 22.5±2.5 Nm
- ⓐ TORQUE: 220±20 Nm
- ⓑ ADMISSIBLE INSTALLATION POSITION
- ⓓ TORQUE:MAX.25Nm
- ⓔ DEFLECTION: 6° MAX AT STROKE:0 mm
- ⓕ TORQUE: 34Nm MAX.
- ⓖ RELEASED POSITION
- ⓗ TORQUE: ≥25Nm

TECHNICAL REQUIREMENT

- 1.STROKE:
PARKING CHAMBER: ≥63.5mm
SERVICE CHAMBER: ≥63.5mm;
- 2.WORKING PRESSURE:
SERVICE CHAMBER: Pmax 10.5 bar, TEMPORARILY 13 bar MAX;
PARKING CHAMBER: Pmax 8.5 bar, TEMPORARILY 10 bar MAX
- 3.WORKING TEMPERATURE:-40°C..+80°C
- 4.THE DRAWING IS AT CAGED CONDITION,THE PARKING CHAMBER WILL BE AT UNCAGED CONDITION DURING SHIPMENT



GRAPHS FOR INFORMATION ONLY

General Specification: ED-234-1, Size ISO 14405 LP	Copyright: WIPAC®	ProVia						
Further Technical Data: PRO 712 716 G	Doc. Code: 043	Doc. Code: Language: 005 EN 1/1						
Issue: 01 To 07	2019-08-19	Sharmagan S						
General Tolerance: g12-d10	2019-08-19	Yashachalvan						
Range of Nominal Dimensions (i in mm)	0.5	1.0	1.5	2.0	3.0	4.0	5.0	6.5
Class	± 50	± 80	± 100	± 150	± 200	± 300	± 400	± 500
Medium	1.0	2.0	3.0	4.0	5.0	6.5	8.0	10.0
Surface	± 0.2	± 0.4	± 0.6	± 1.0	± 1.5	± 2.0	± 3.0	± 4.0
Size	A	B	C	D	E	F	G	H
Material No.	PRO 712 716 0	Revision	005	Techn. Resp.	Replacement for			
Doc. Code: 043	002293	1	EN	1/1				