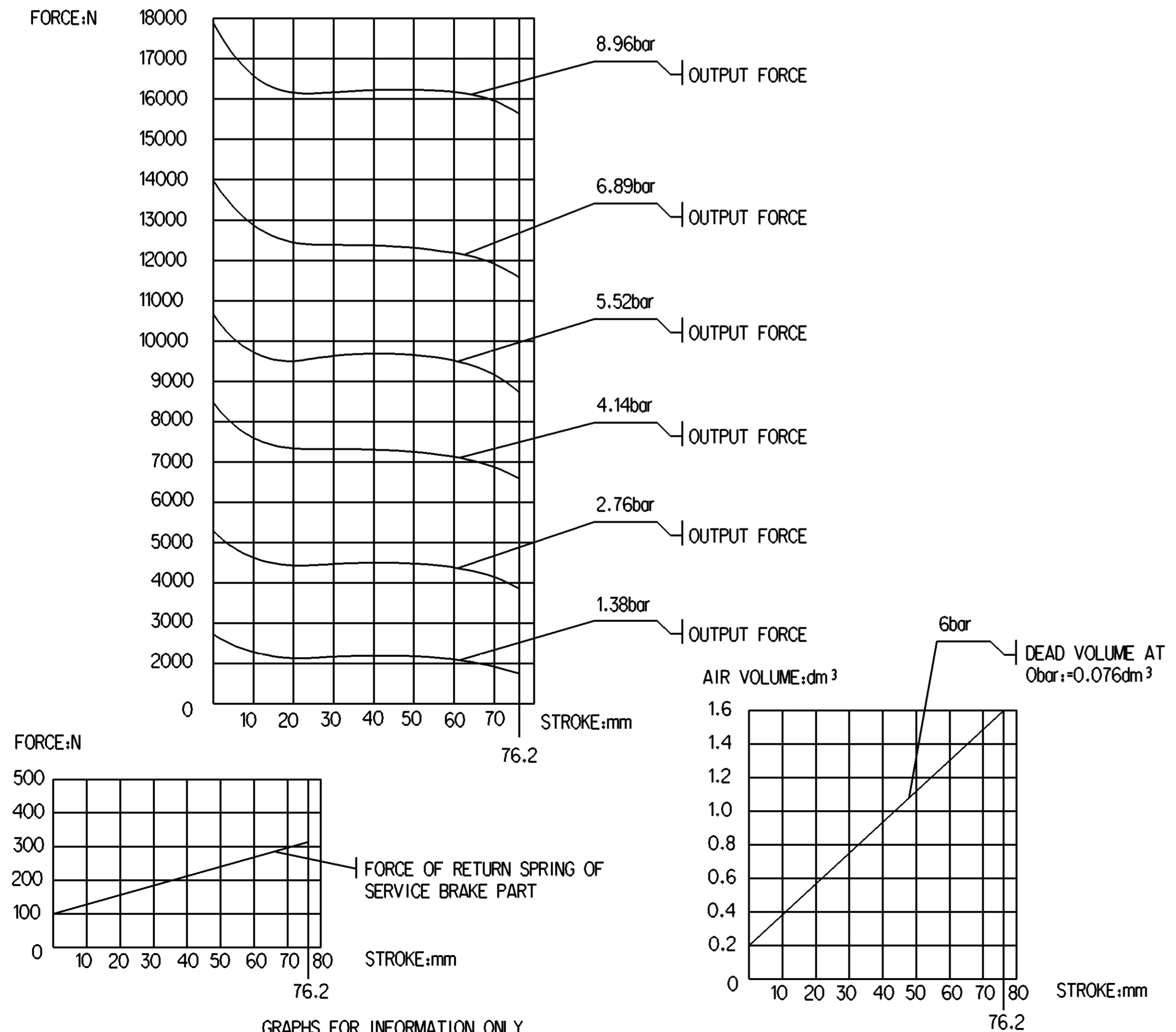
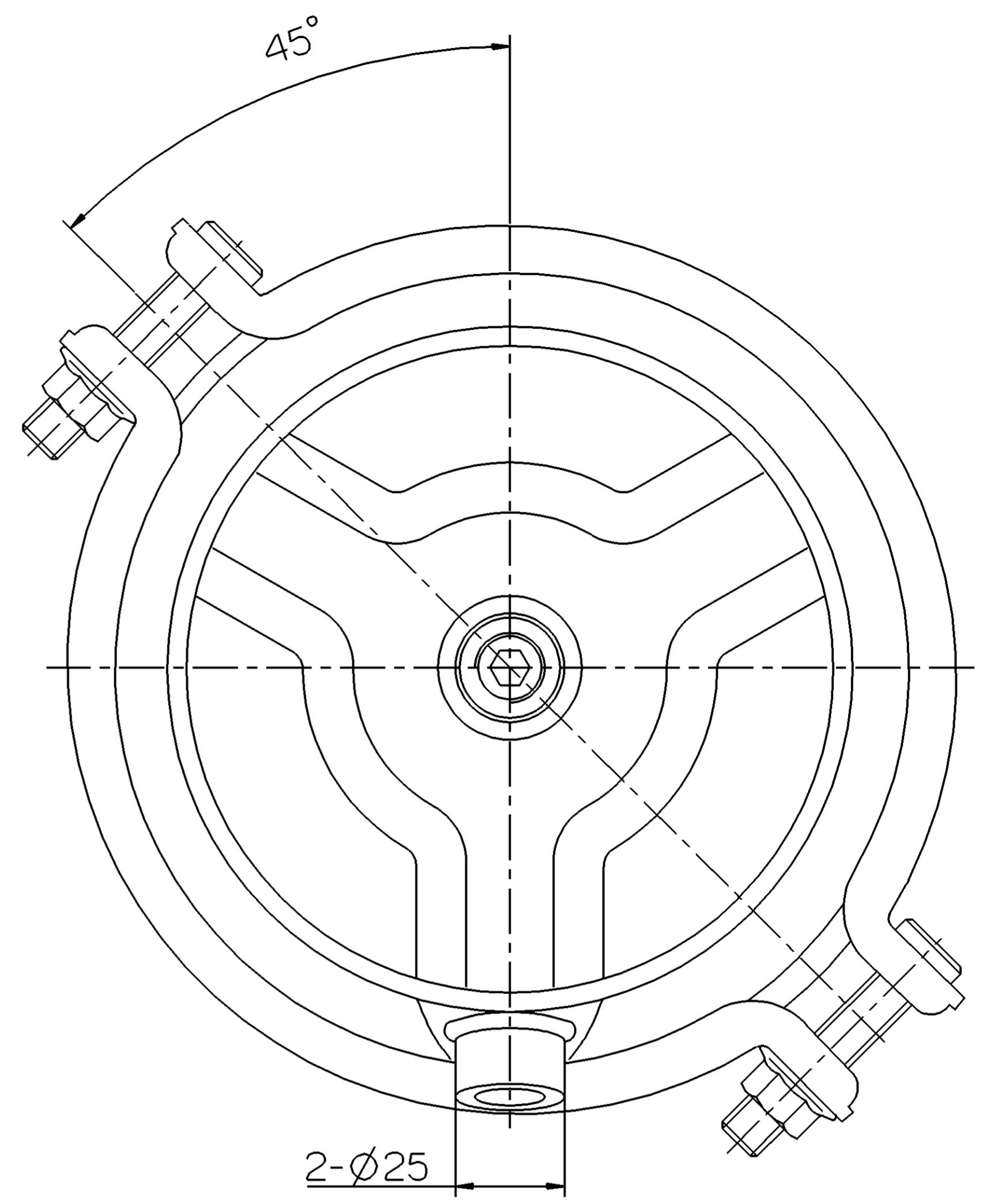
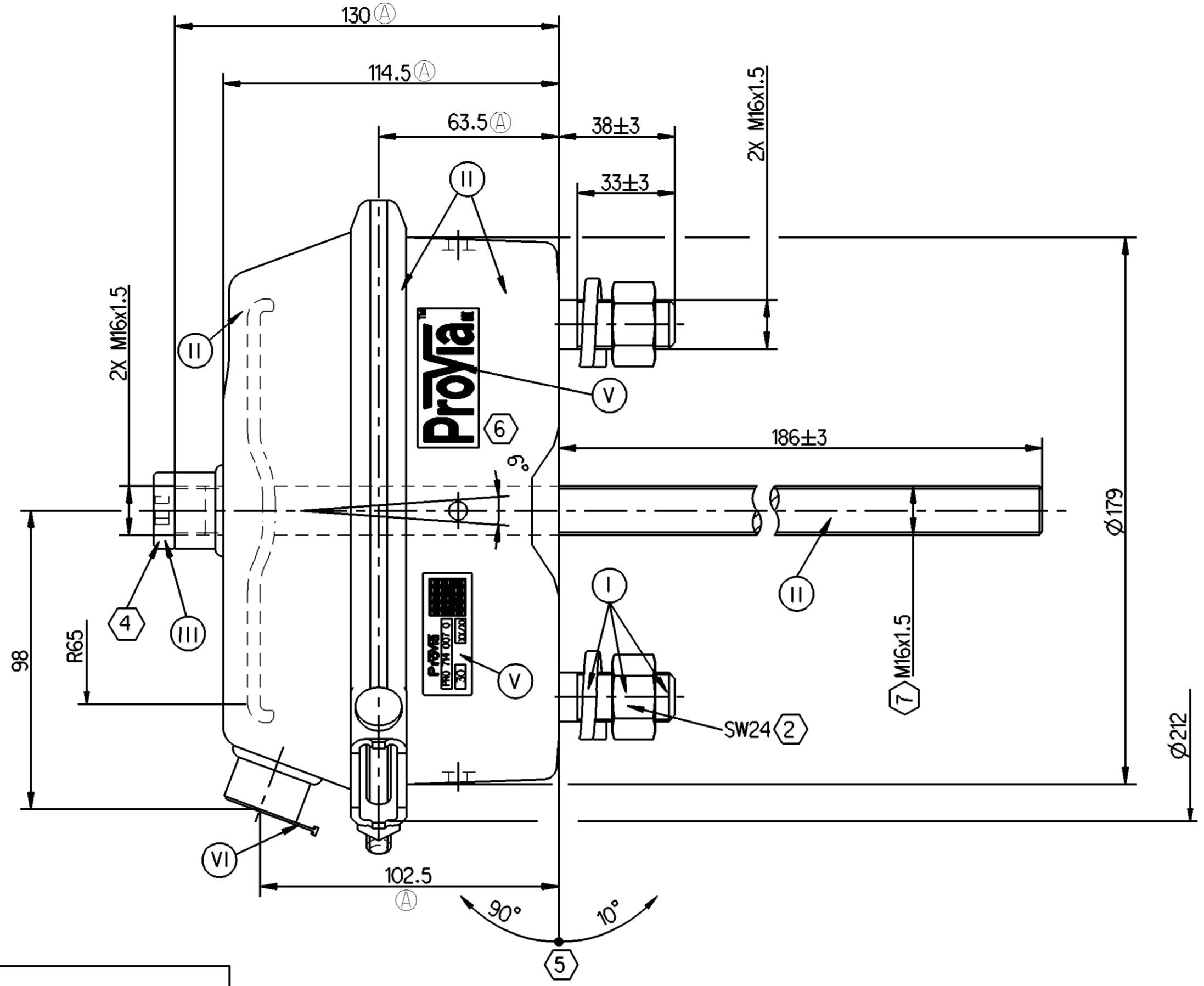
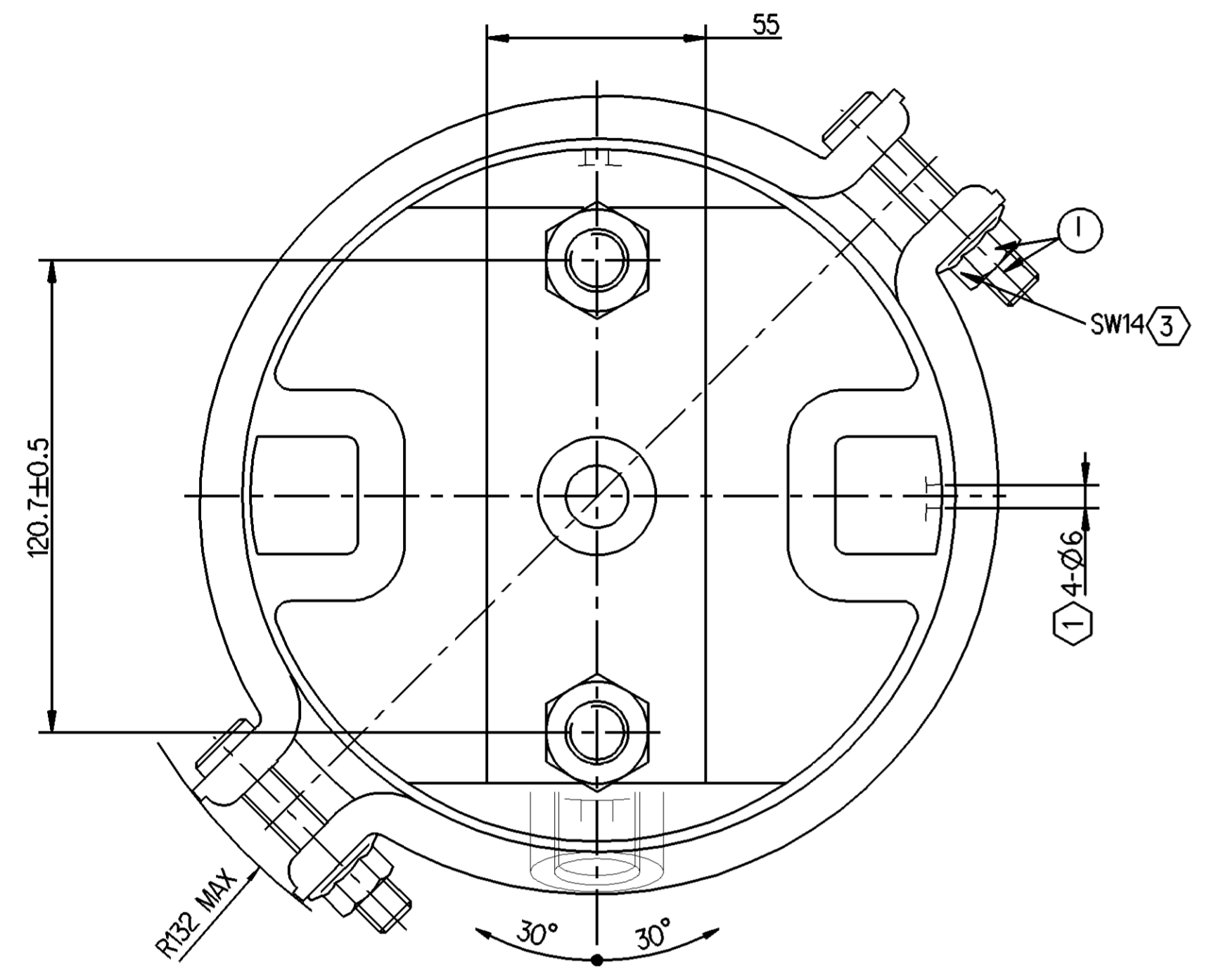


SURFACE PROTECTION	
I	ZINC PLATED WITH CR6+ FREE
II	ELECTRO-PAINTING
III	DACROMET
IV	HARD POLYETHYLENE
V	STICKER

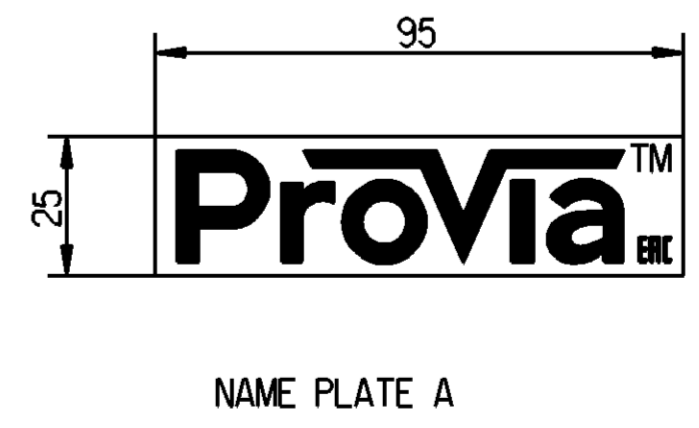
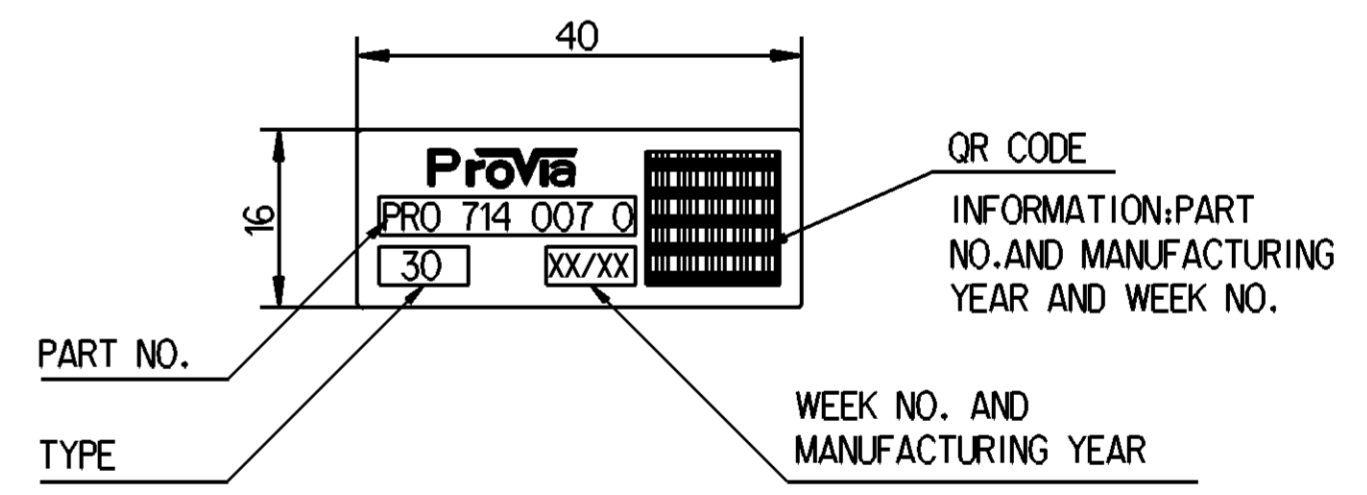
<->	SAFETY CHARACTERISTICS	0
<->	SIGNIFICANT CHARACTERISTICS	0



- ① OPEN BREATHER HOLE
- ② TORQUE: 220±20 Nm
- ③ TORQUE: ≥25Nm
- ④ TORQUE: 45±5Nm
- ⑤ ADMISSIBLE INSTALLATION POSITION
- ⑥ DEFLECTION: 6° MAX AT STROKE:0 mm
- ⑦ TORQUE: 80±10Nm

TECHNICAL REQUIREMENT: REQUIREMENT:

- STROKE: ≥76.2mm;
- WORKING PRESSURE: Pmax. 8.5 bar, Temporarily 10 bar;
- WORKING TEMPERATURE: -40°C...+80°C (-40°F...+176°F);



General Specifications: JED-334-1 - Size ISO 14405 LP		Copyright WABCO®	
Further Technical Data: PRO 714 016 0		Date	Signature
Doc. Code: 035	Sheet: 01 To 05	2020-03-17	Saravanan
General Tolerances JED-261		Checked	Yerachaelvan
Range of Nominal Dimensions (± mm)		Expert	
Class	1) ≤ 50	2) 50 > 180	3) 180 ≤ 400
Fine	0.5	1.0	1.5
Medium	1.0	2.0	3.0
Coarse	2.0	3.5	5.0
Tapped Holes acc. JED-152		±3°	
1) Tolerance Class Applied Crossmarked		Mass	Scale
		3.7	1:1
		Size	CAD System
		A 1	CREO
		Material No.	Date of first issue: 2019-10-04
		PRO 714 007 0	005 EN 1/1
		Revision	Techn. Resp.
		504218	4x A
		53410_AM	Replacement for

Non e permesso copiare o riprodurre questo documento, ne utilizzare il contenuto o riprodurre il contenuto intero o parti di esso senza permesso scritto dalla WABCO. Tutti i diritti sono riservati. Toute réimpression ou utilisation non autorisée sans la permission écrite de la WABCO est formellement interdite. Toute réimpression ou utilisation non autorisée sans la permission écrite de la WABCO est formellement interdite. All rights reserved. No part of this document may be reproduced, stored in a retrieval system, or transmitted, in any form or by any means, without the prior written permission of WABCO.