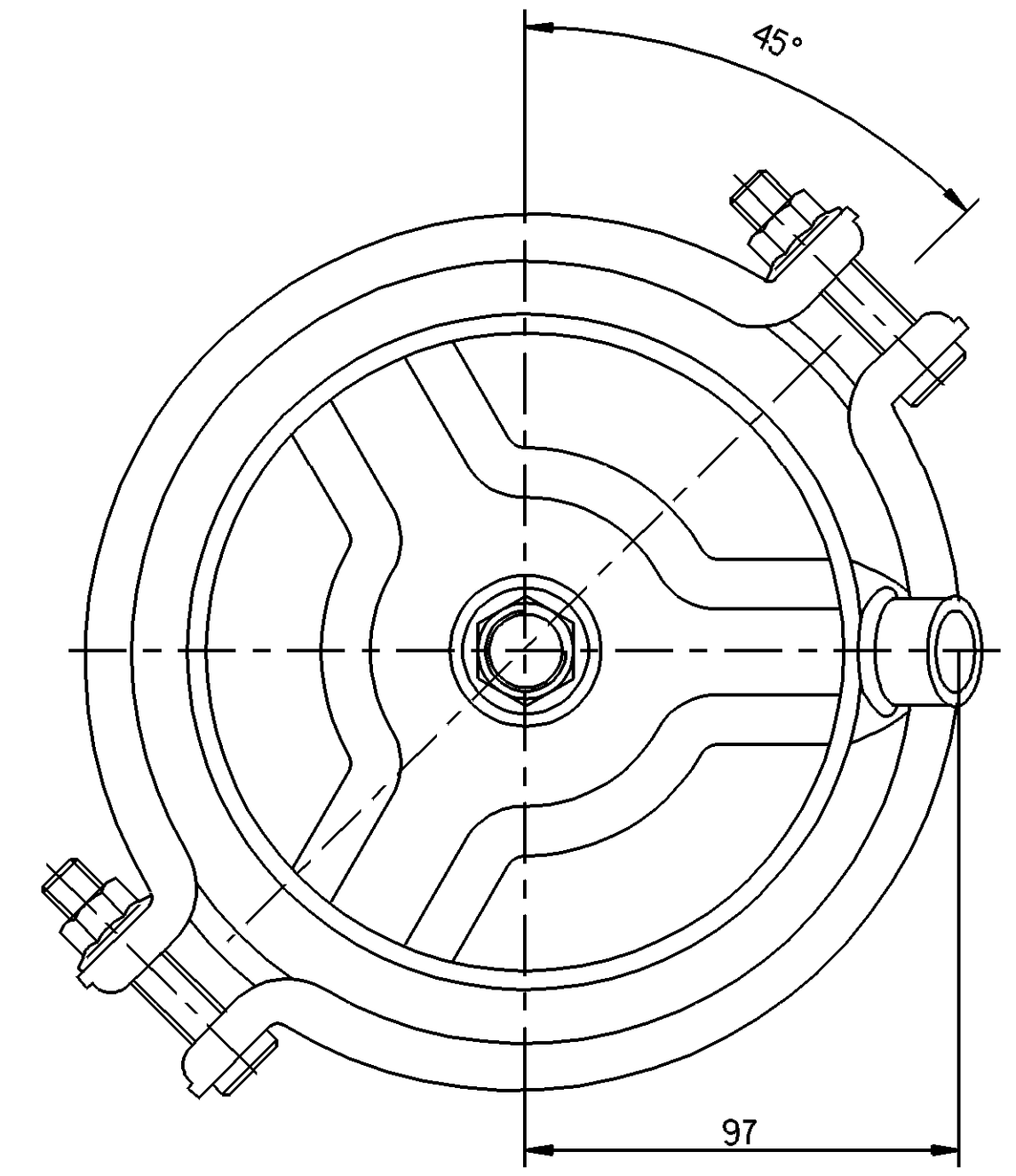
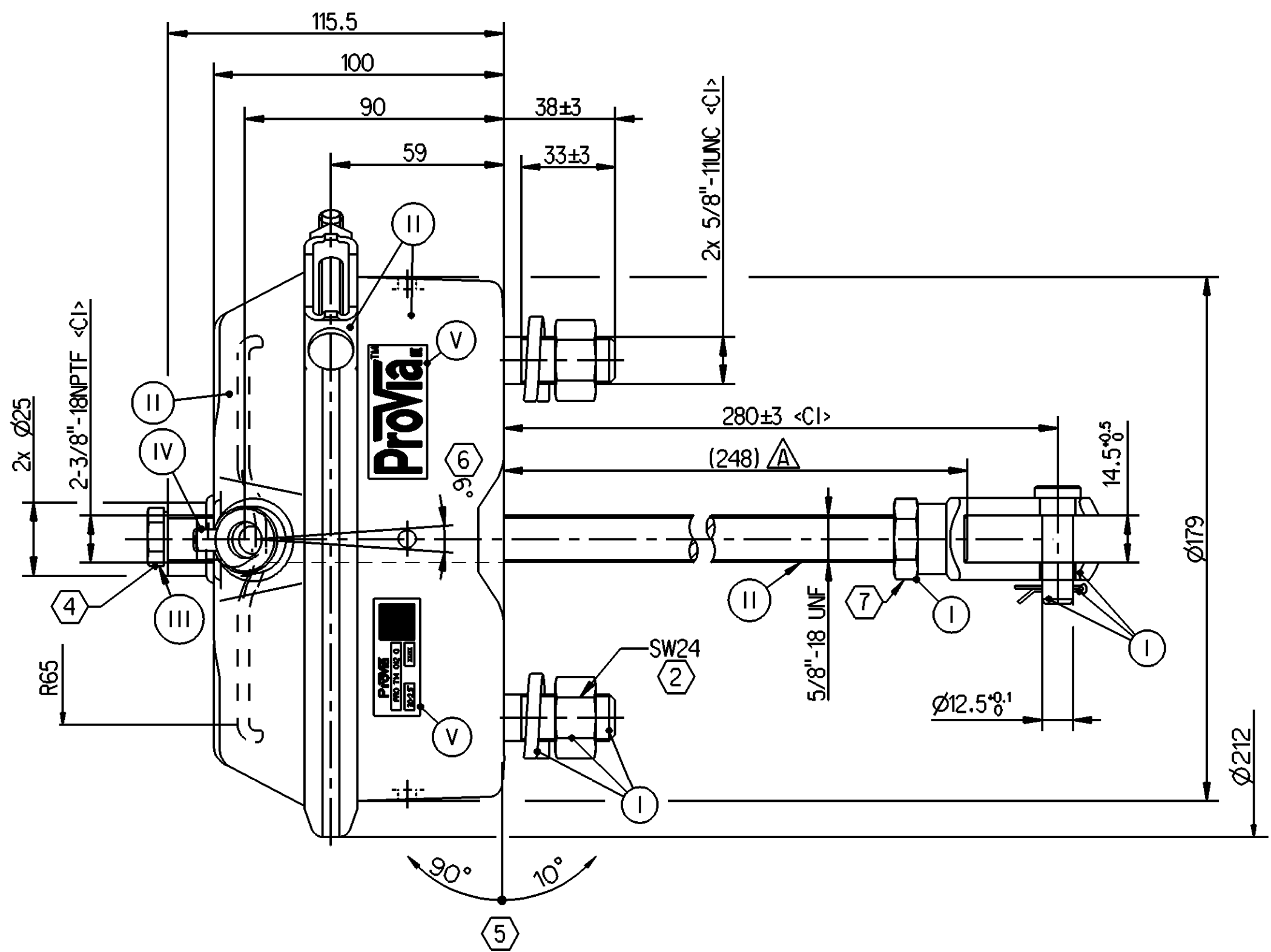
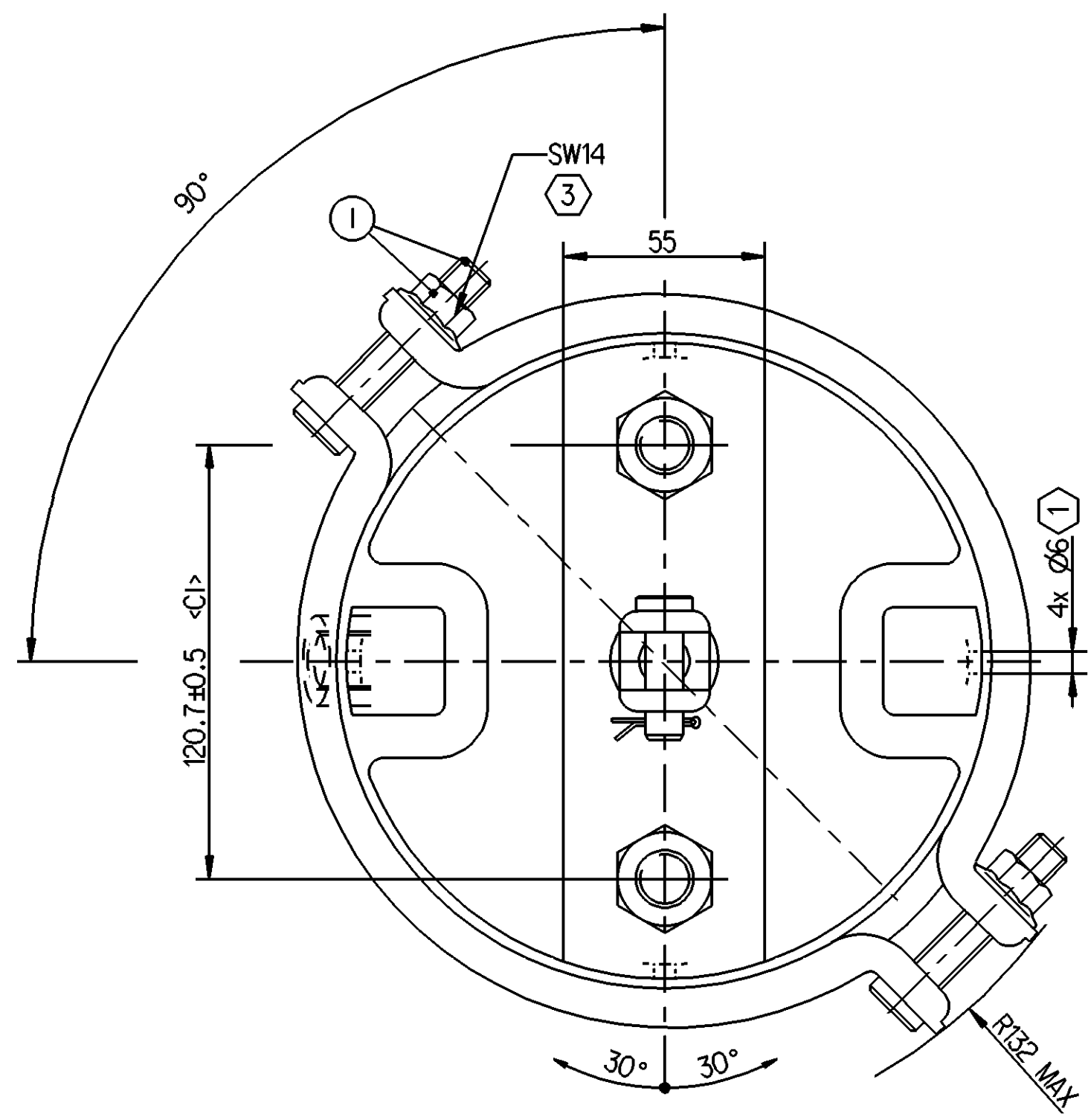
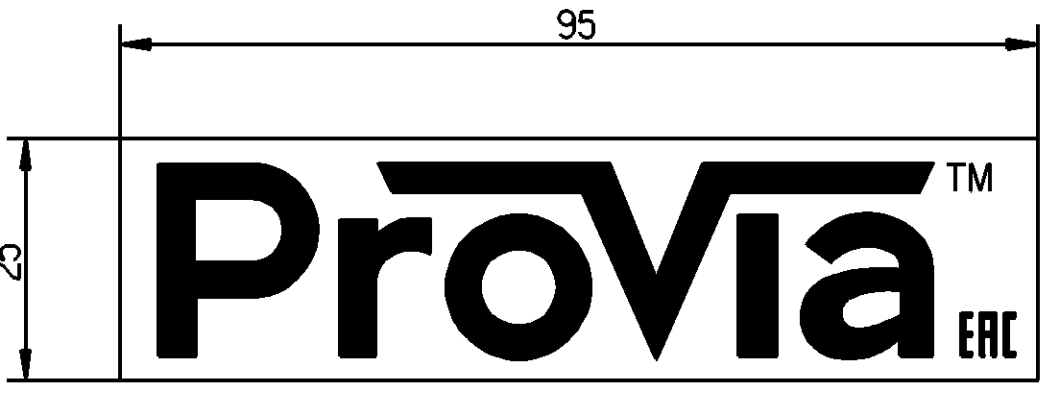
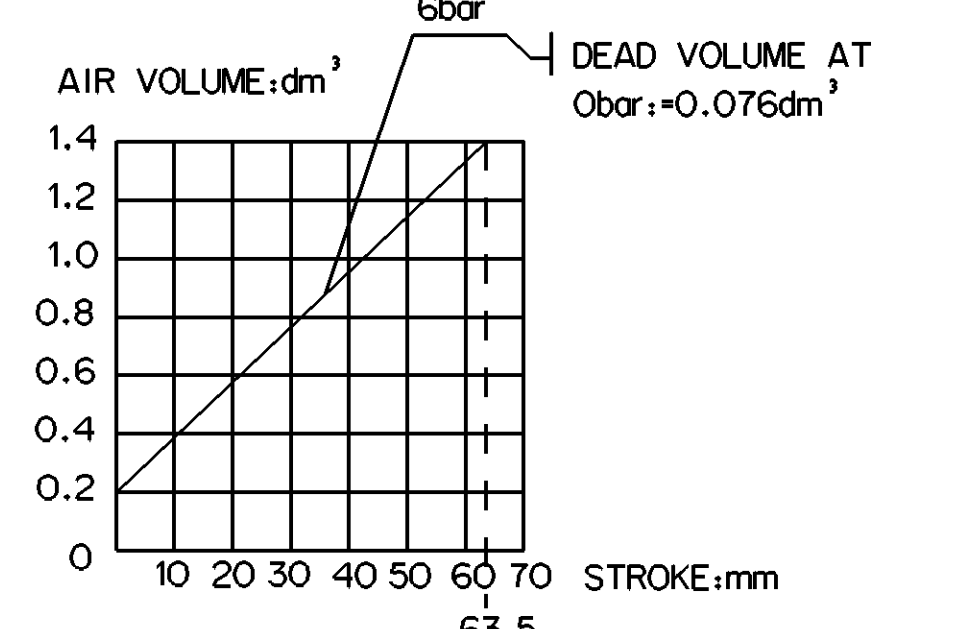
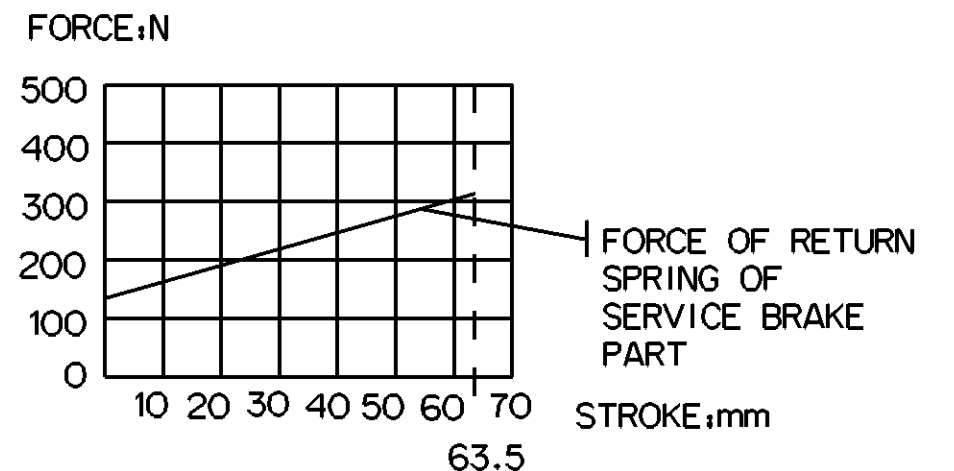
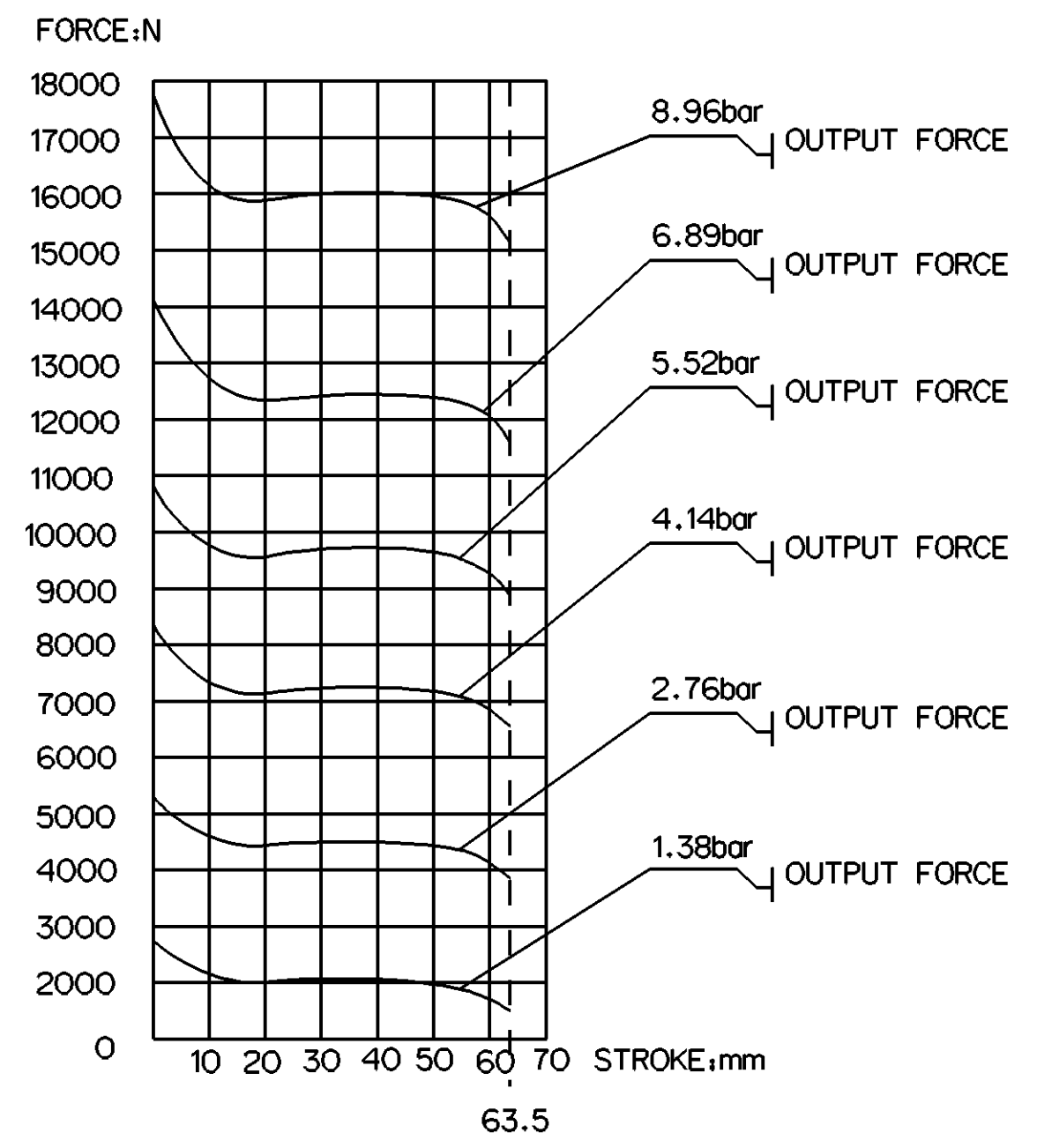


SURFACE PROTECTION	
I	ZINC PLATED WITH CR6+ FREE
II	ELECTRO-COATING
III	DACROMET
IV	HARD POLYETHYLENE
V	STICKER

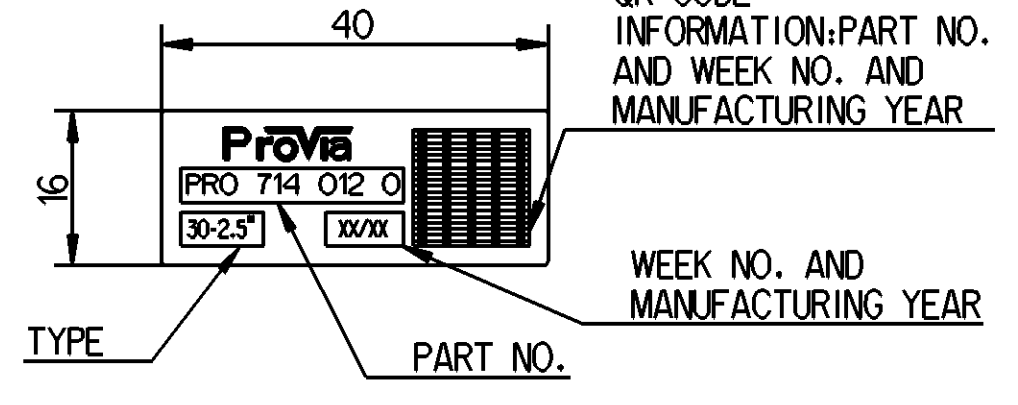
SAFETY CHARACTERISTICS	0
SIGNIFICANT CHARACTERISTICS	0
CUSTOMER INTERFACE	4



GRAPHS FOR INFORMATION ONLY

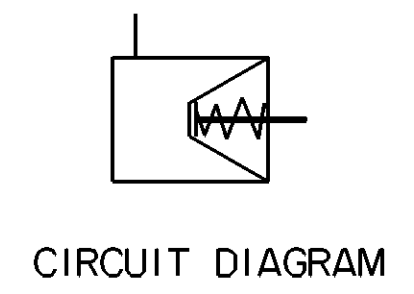


STICKER A
2:1



STICKER B

- TECHNICAL REQUIREMENT:
- STROKE: $\geq 63.5\text{mm}$ (2.5")
 - WORKING PRESSURE P_{MAX} : 8.5BAR
TEMPORARILY: 10BAR
 - WORKING TEMPERATURE: $-40^{\circ}\text{C} \dots +80^{\circ}\text{C}$ ($-40^{\circ}\text{F} \dots +176^{\circ}\text{F}$)
 - WORKING MEDIUM: AIR Δ



CIRCUIT DIAGRAM

- OPEN BREATHER HOLE
- TORQUE: $220 \pm 20\text{Nm}$
- TORQUE: $\geq 25\text{Nm}$
- TORQUE: $45 \pm 5\text{Nm}$
- ADMISSIBLE INSTALLATION POSITION
- DEFLECTION: 6° MAX AT STROKE 0mm
- TORQUE: $80 \pm 10\text{Nm}$

General Specifications: ISO 8015, JED-334-1, Size ISO 14405 LP		Copyright ZF*	
Further Technical Data: PRO 714 016 0		Date	Signature
Doc. Code: 035	Sheet: 1 To 5	2023-05-05	Veritasolom
General Tolerances JED-261		2023-05-08	
Range of Nominal Dimensions (± mm)		Mannivan	
Class	1) ≤ 50 ≤ 50 > 50 > 180 ≤ 180 ≤ 400 > 400	Dimensions in mm	
Fine	± 0.5 ± 1 ± 1.5 ± 2	Mass	Scale
Medium	± 1 ± 2 ± 3 ± 4	4.4 kg	NTS
Coarse	± 2 ± 3.5 ± 5 ± 6.5	Size	CAD System
Tapped Holes acc. JED-686		Material No.	
1) Tolerance Class Applied Crossmarked		PRO 714 012 0	Date of first issue
		005	EN
		Revision	Sheet
		4x A	1/1
		EDN-No.	Techn. Resp.
		514015	5340_AM
		Replacement for	

100mm