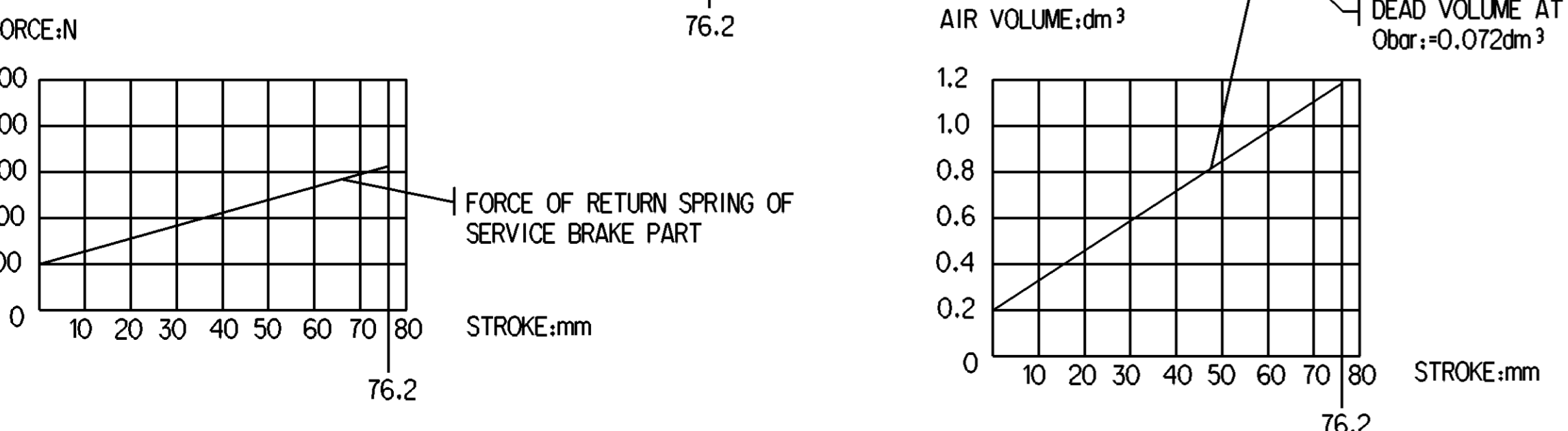
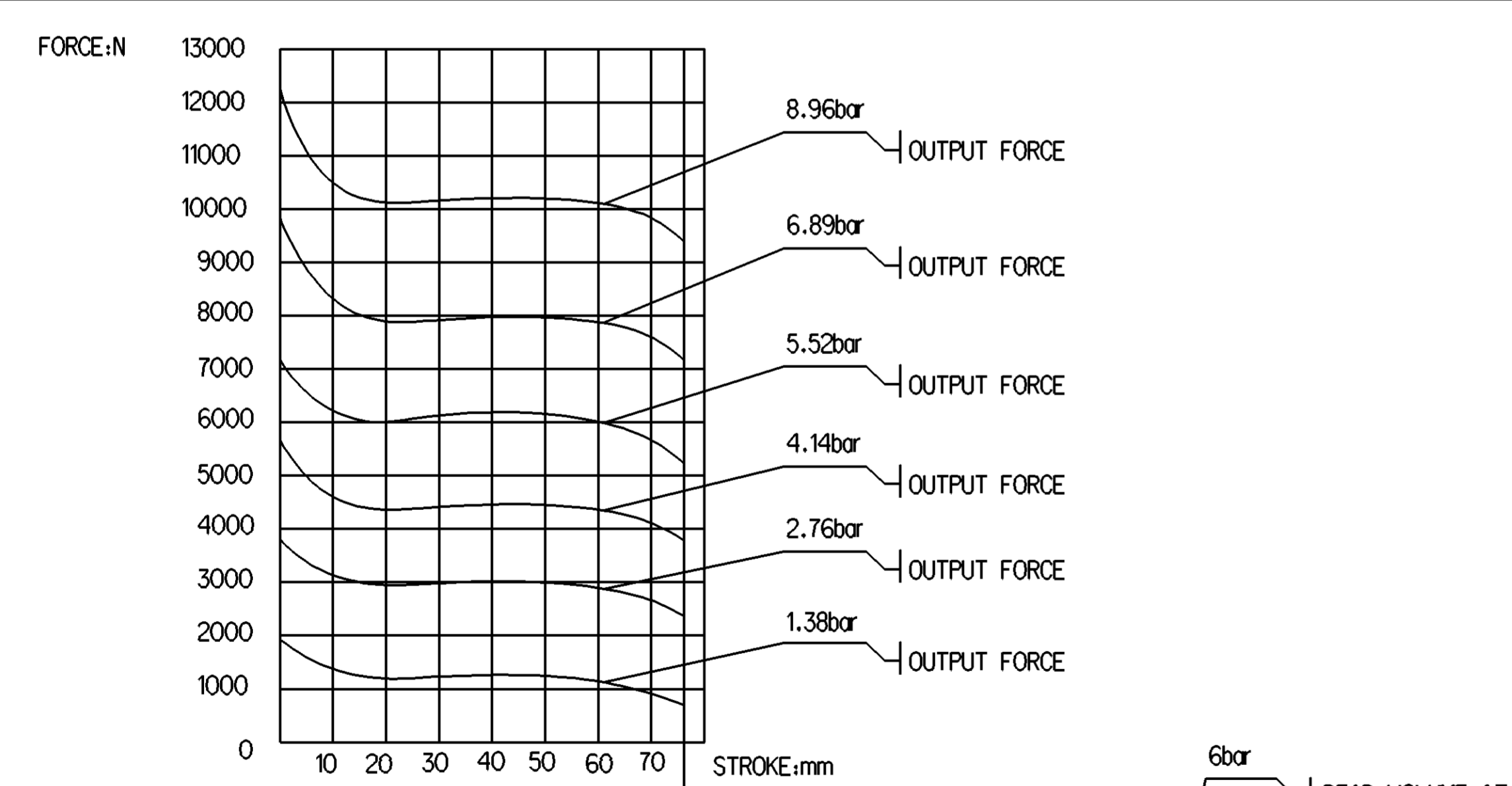
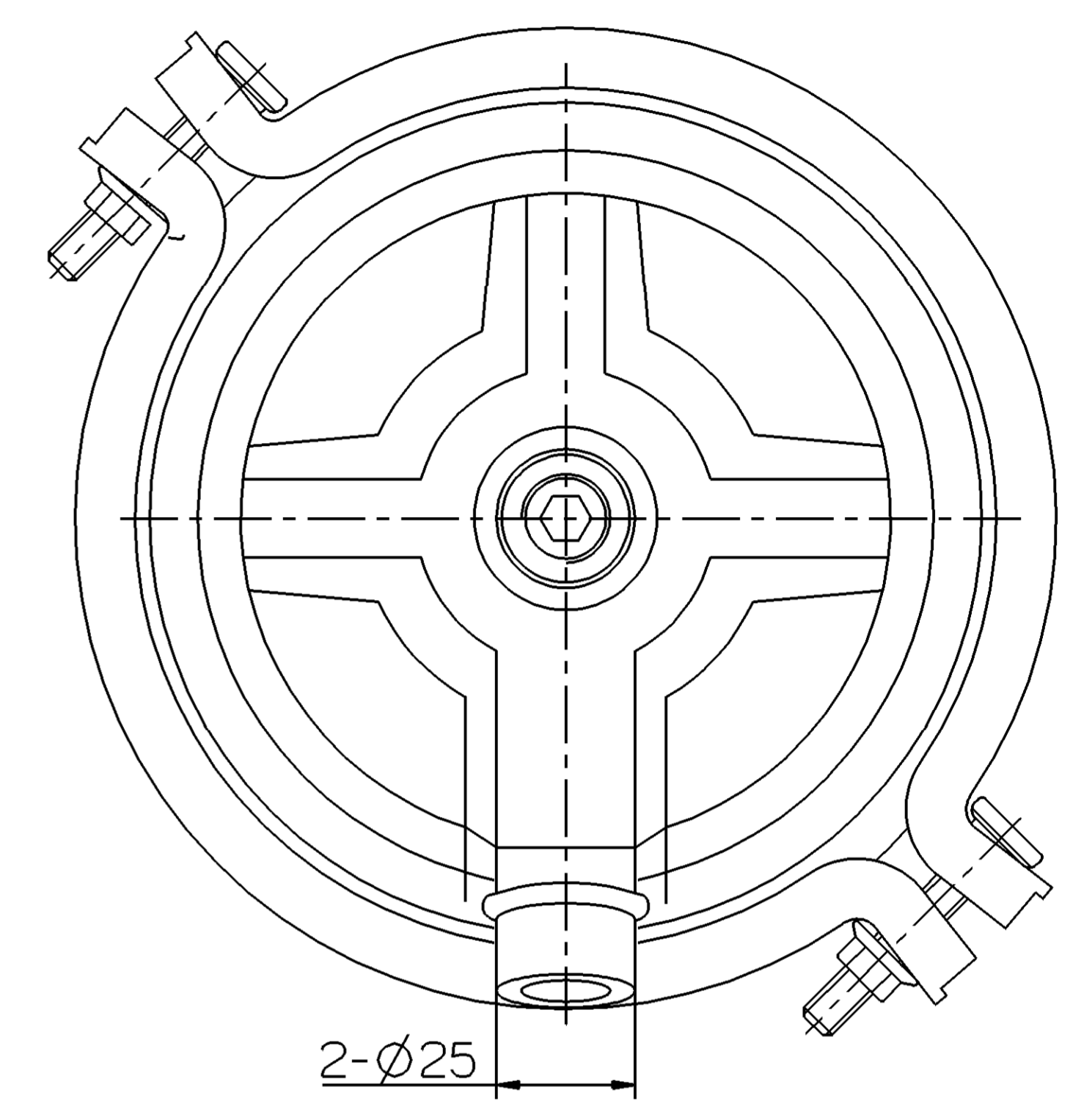
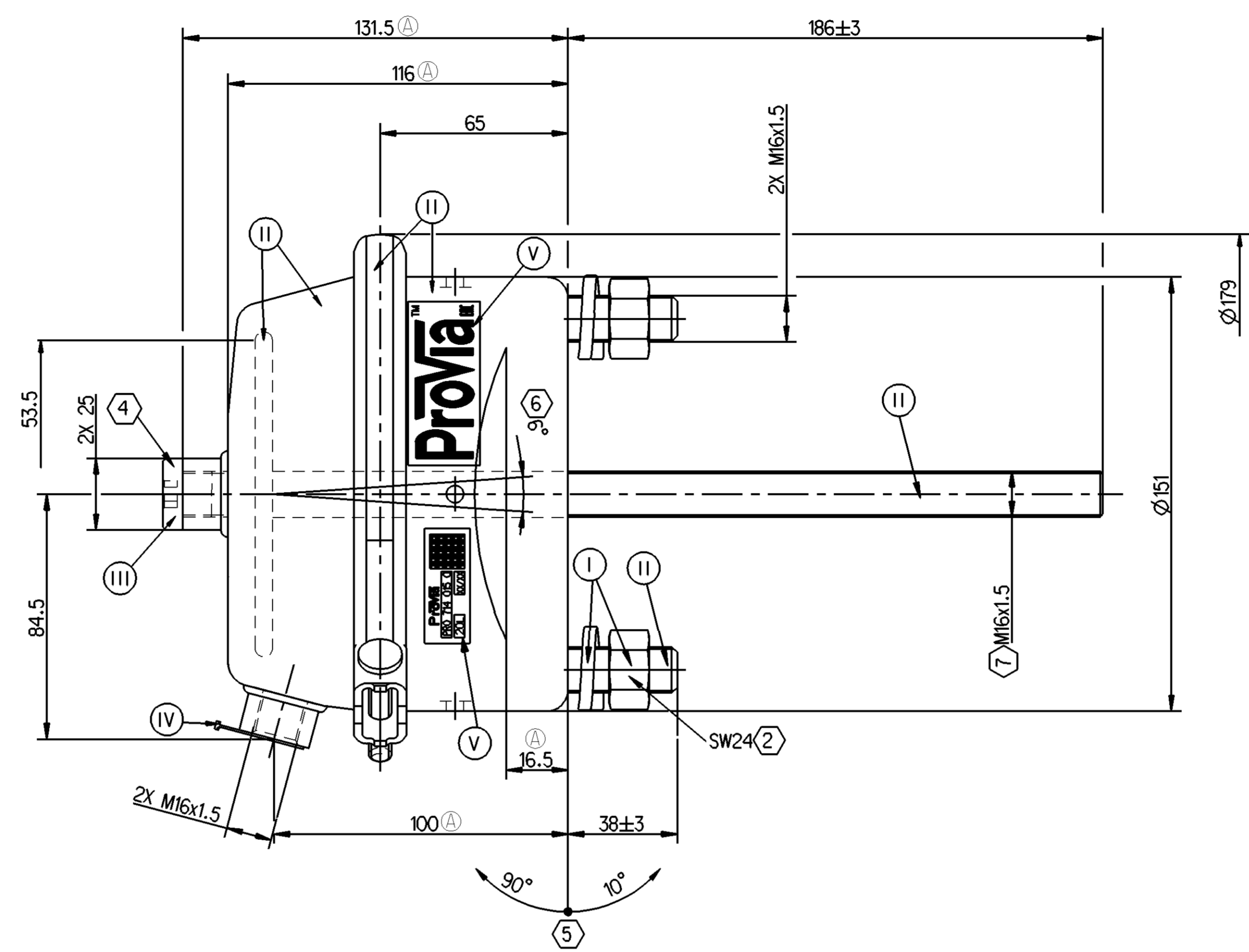
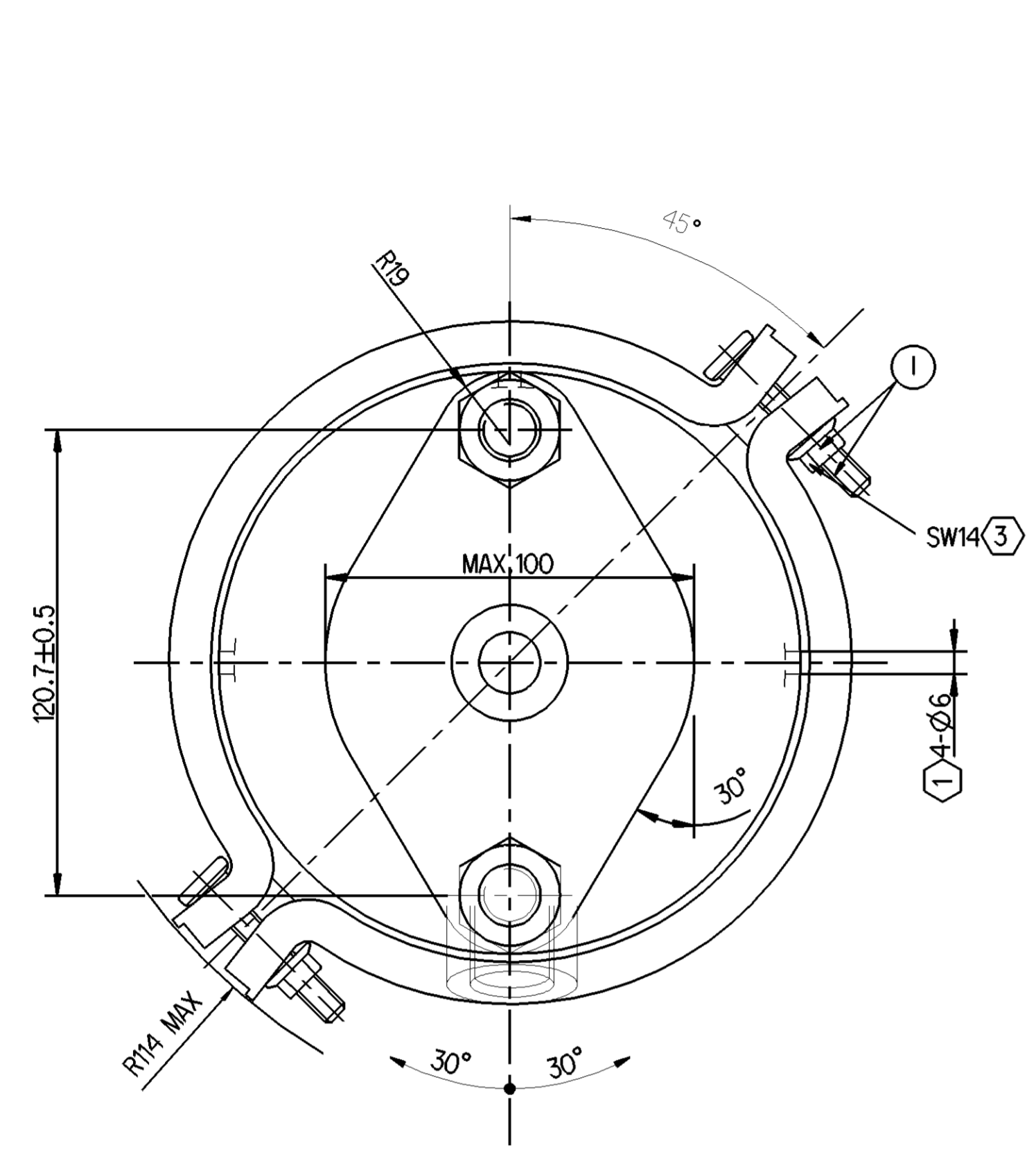


SURFACE PROTECTION	
I	ZINC PLATED WITH CR6+ FREE
II	ELECTRO-PAINTING
III	DACROMET
IV	HARD POLYETHYLENE
V	STICKER

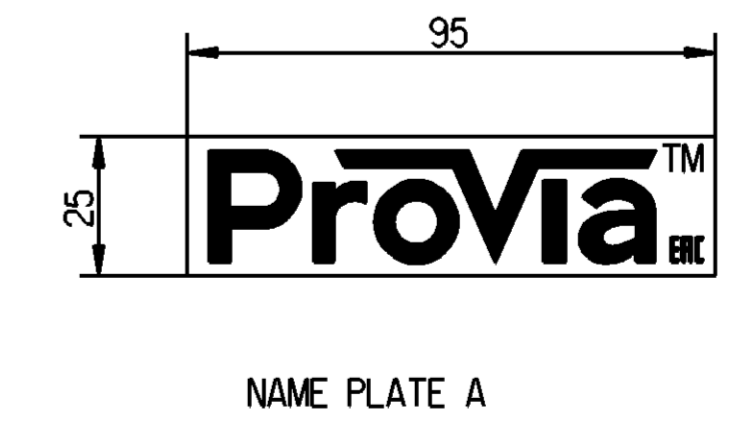
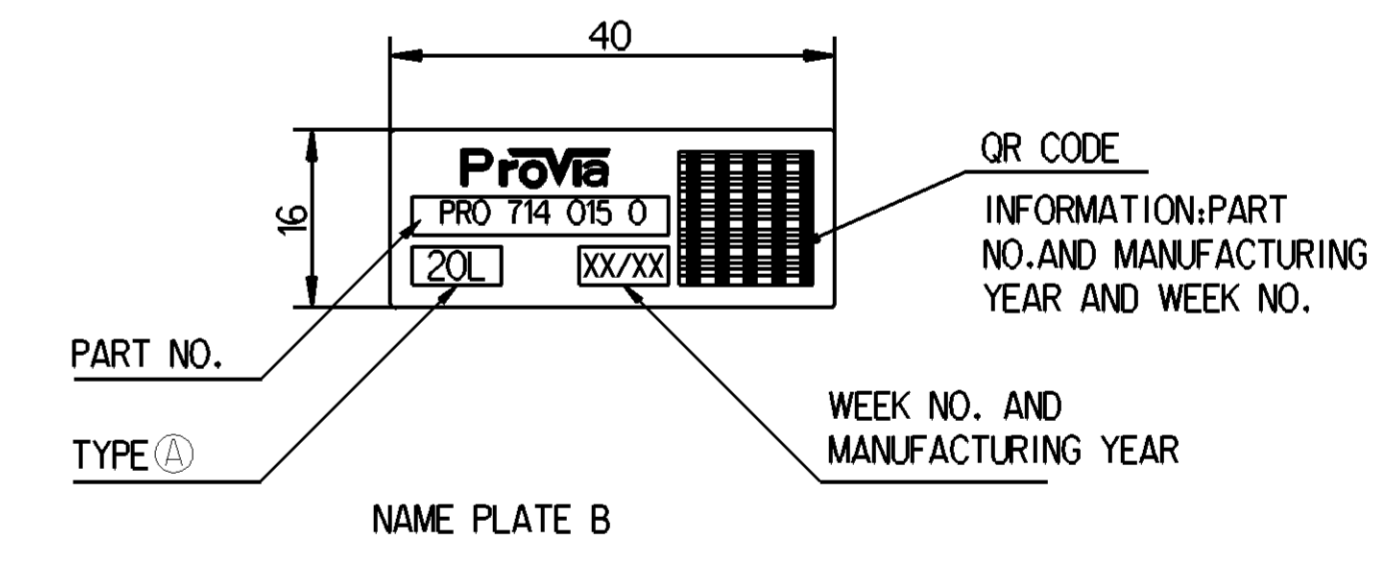
<1>	SAFETY CHARACTERISTICS	0
<2>	SIGNIFICANT CHARACTERISTICS	0



GRAPHS FOR INFORMATION ONLY

- ① OPEN BREATHER HOLE
- ② TORQUE: 220±20 Nm
- ③ TORQUE: ≥25 Nm
- ④ TORQUE: 45±5 Nm
- ⑤ ADMISSIBLE INSTALLATION POSITION
- ⑥ DEFLECTION: 6° MAX AT STROKE:0 mm
- ⑦ TORQUE: 80±10 Nm

- TECHNICAL REQUIREMENT**
- STROKE: ≥76.2mm;
 - WORKING PRESSURE: Pmax. 8.5 bar, Temporarily 10 bar;
 - WORKING TEMPERATURE: -40°C...+80°C (-40°F...+176°F);



General Specifications: JED-354-1 - Size ISO 14405 LP		Copyright WABCO®	
Further Technical Data: PRO 714 016 0		Date	Signature
Doc. Code: 035	Sheet: 01 To 05	2020-04-16	Saravanan
General Tolerances JED-261		Checked	
Range of Nominal Dimensions (± mm)		2020-07-07 Verahachelvan	
		Expert	
		Aswin kumar	
Class 1)	≤ 50 > 180 > 400	Mass	Scale
Fine	0.5 1.0 1.5 2.0	3.6	1:1
Medium	1.0 2.0 3.0 4.0	KG	
Coarse	2.0 3.5 5.0 6.5	Size	CAD System
Tapped Holes acc. JED-152		Material No.	
1) Tolerance Class Applied Crossmarked		PRO 714 015 0	
		Date of first issue:	2019-10-04
		Doc.Code	Language
		005	EN
		Sheet	1/1
		EDN-No.	Revision
		504426	5x A
		Techn. Resp.	Replacement for

100mm