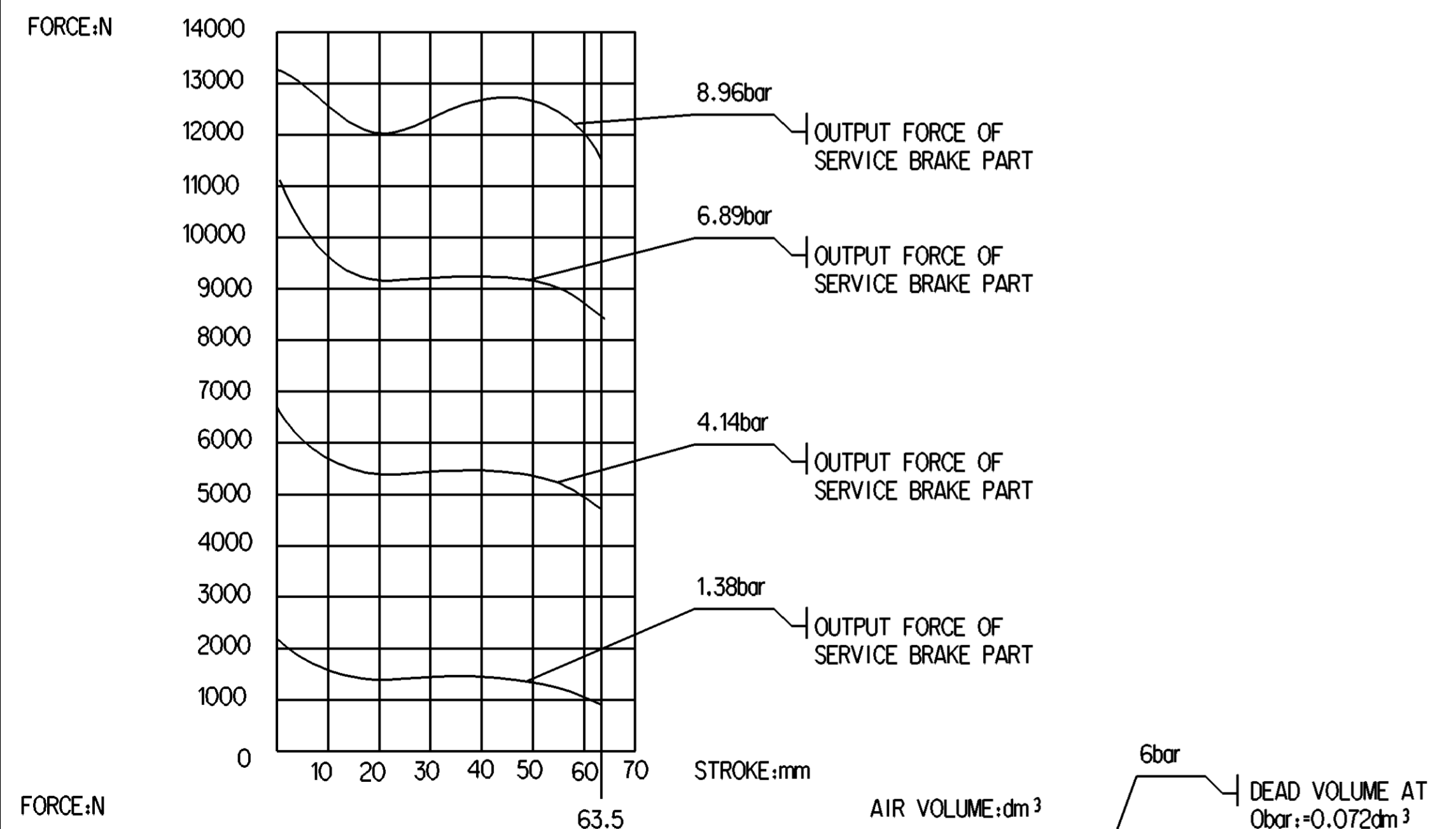
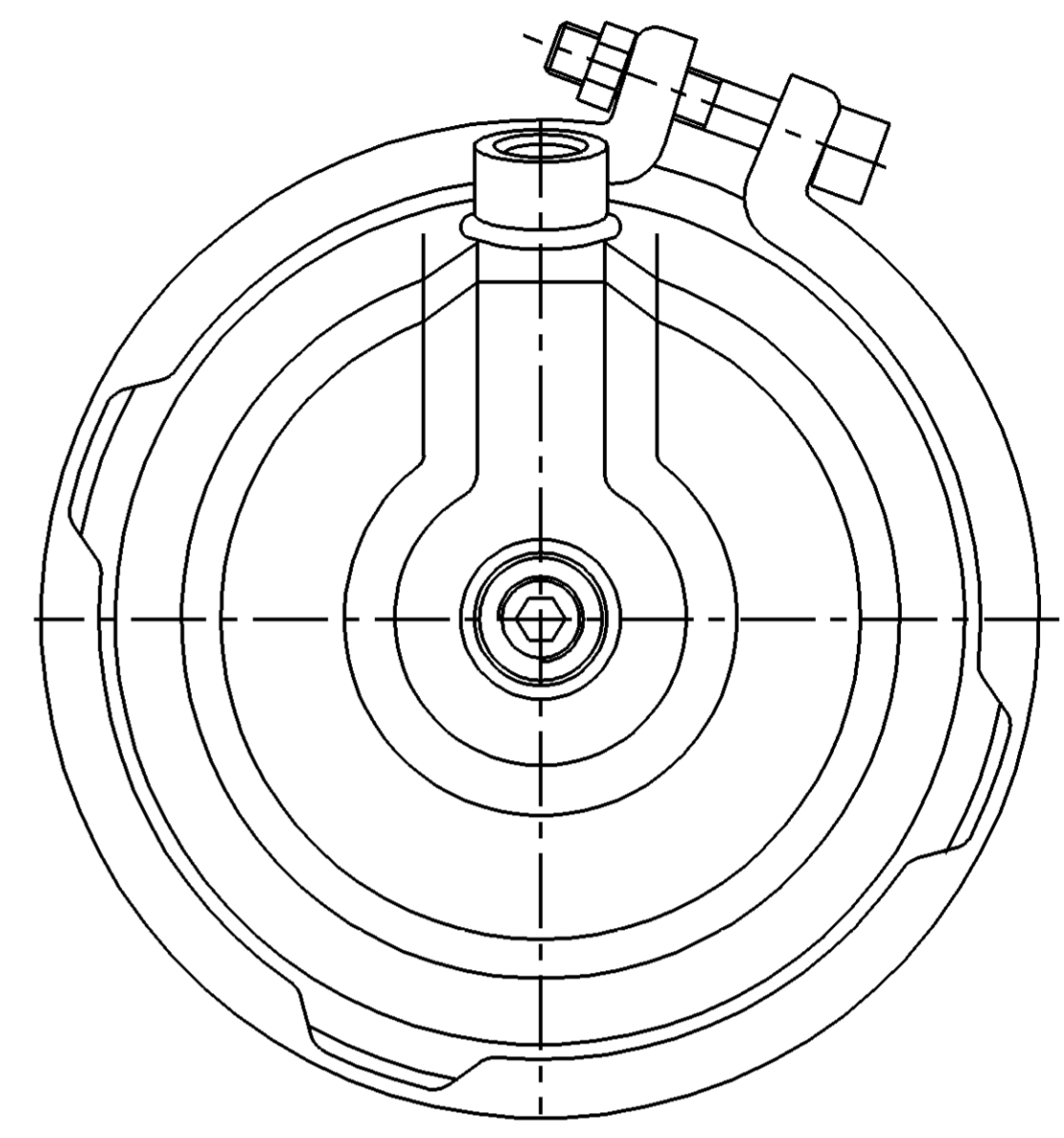
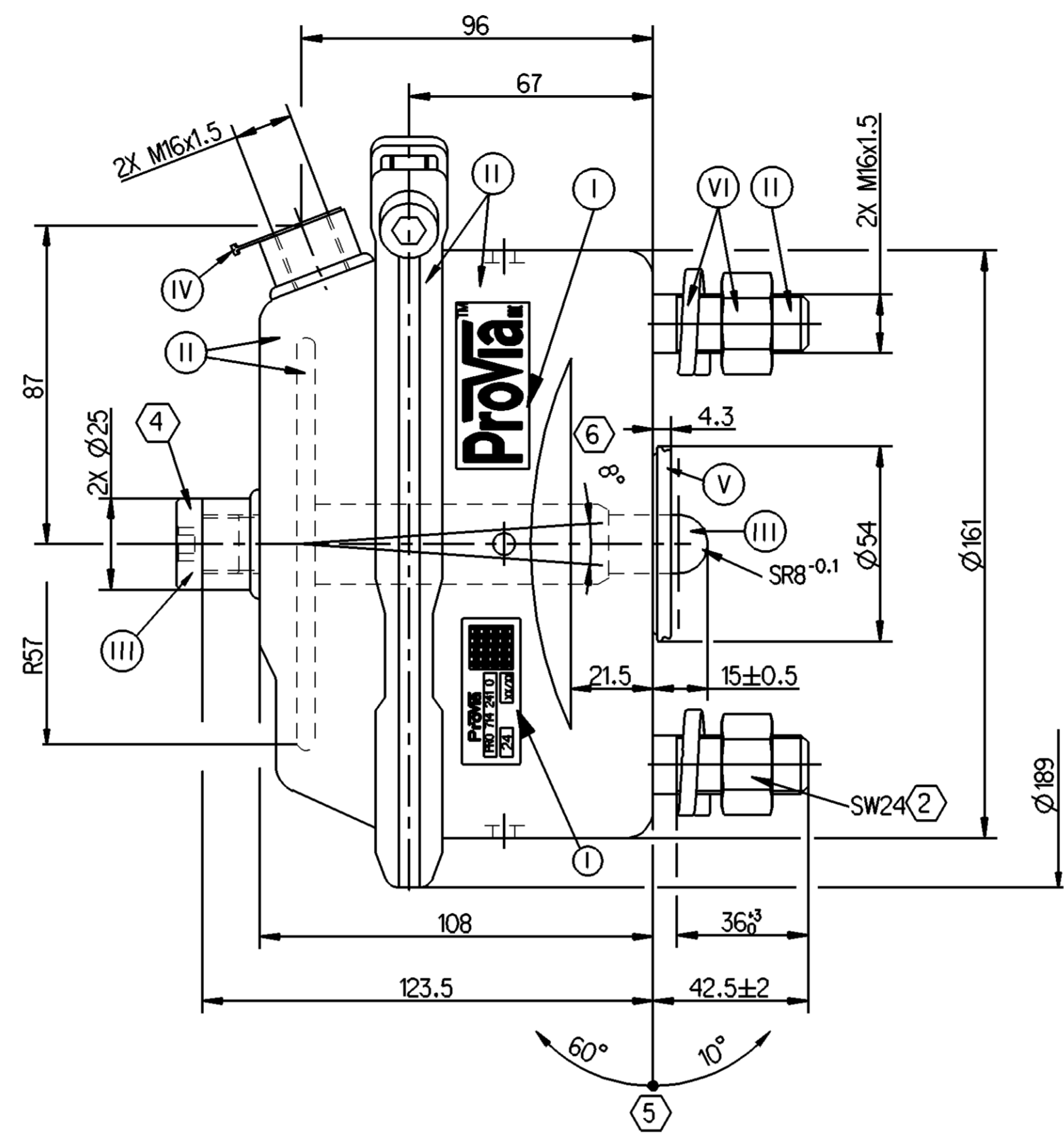
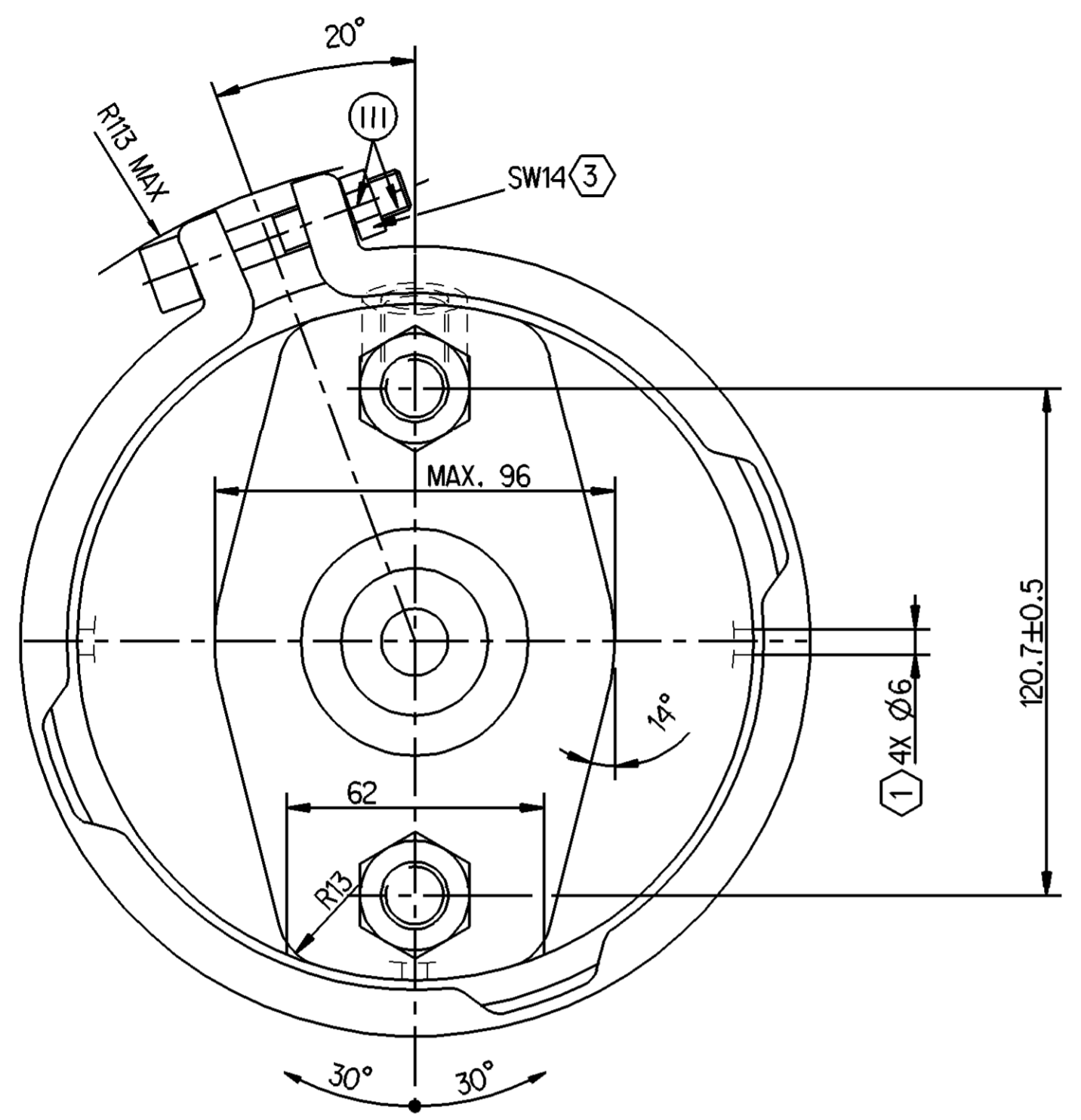


SURFACE PROTECTION	
I	STICKER
II	ELECTRO-PAINTING
III	DACROMET
IV	HARD POLYETHYLENE
V	RUBBER
VI	ZINC PLATED WITH CR6+ FREE

<1>	SAFETY CHARACTERISTICS	0
<2>	SIGNIFICANT CHARACTERISTICS	0



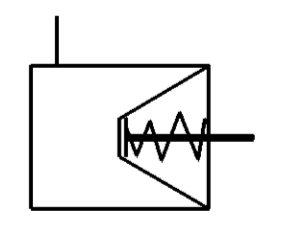
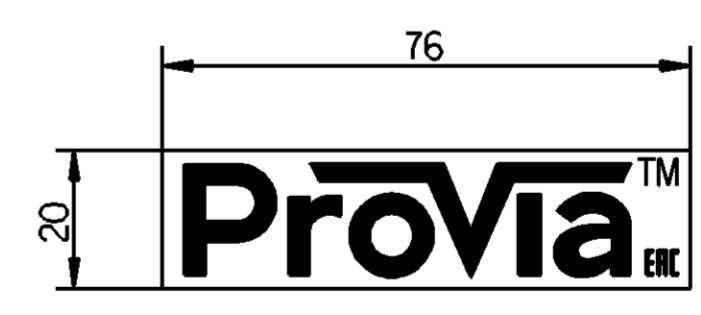
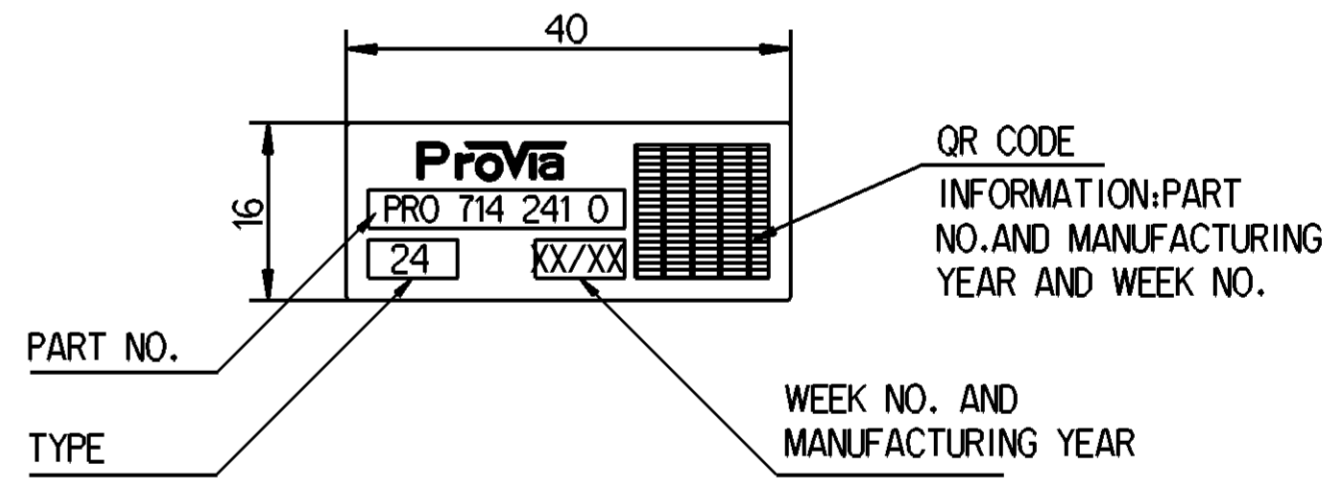
- 1 OPEN BREATHER HOLE
- 2 TORQUE: 220±20 Nm
- 3 TORQUE: ≥35Nm
- 4 TORQUE: 45±5Nm
- 5 ADMISSIBLE INSTALLATION POSITION
- 6 DEFLECTION: 8° MAX AT STROKE:0 mm

**TECHNICAL REQUIREMENT:**

1.STROKE: ≥63.5mm;

2.WORKING PRESSURE: Pmax. 10.2 bar, Temporarily 13 bar;

3.WORKING TEMPERATURE:-40°C...+80°C (-40°F...+176°F);



General Specifications: JED-334-1 - Size ISO 14405 LP		Copyright WABCO®	
Further Technical Data: PRO 714 710 0		Date	Signature
Doc. Code: 035	Sheet: 01 To 05	2019-07-12	Saravanan
General Tolerances JED-261		Checked	Yerachaelvan
Range of Nominal Dimensions (± mm)		Expert	
Class	1) ≤ 50	> 50	> 180
Fine	0.5	1.0	1.5
Medium	1.0	2.0	3.0
Coarse	2.0	3.5	5.0
			6.5
Tapped Holes acc. JED-152		Mass	Scale
1) Tolerance Class Applied Crossmarked		3.4	1:1
		Size	CAD System
		PRO 714 241 0	
		Doc.No.	Revision
		5350_AM	
		Techn. Resp.	Replacement for

Non e permesso copiare o riprodurre questo documento, ne utilizzare il contenuto o i dati, senza permesso scritto dalla WABCO. E' vietata espressamente la ristampa o l'uso non autorizzato. Toute reproduction ou utilisation de ce document, sans autorisation de la WABCO, est formellement interdite. Toute utilisation non autorisée de ce document est formellement interdite.