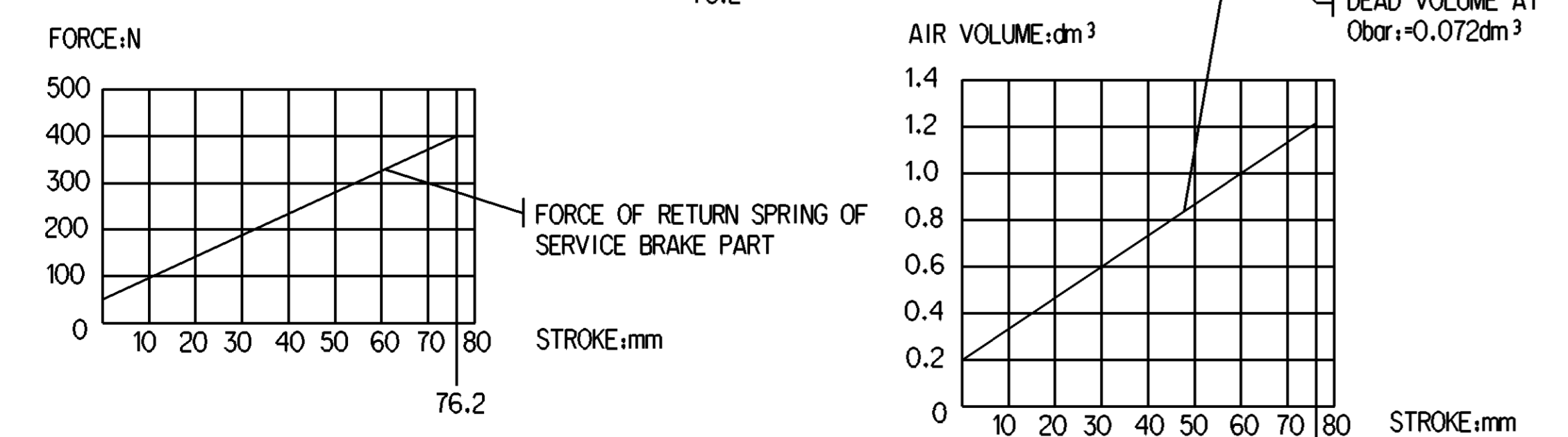
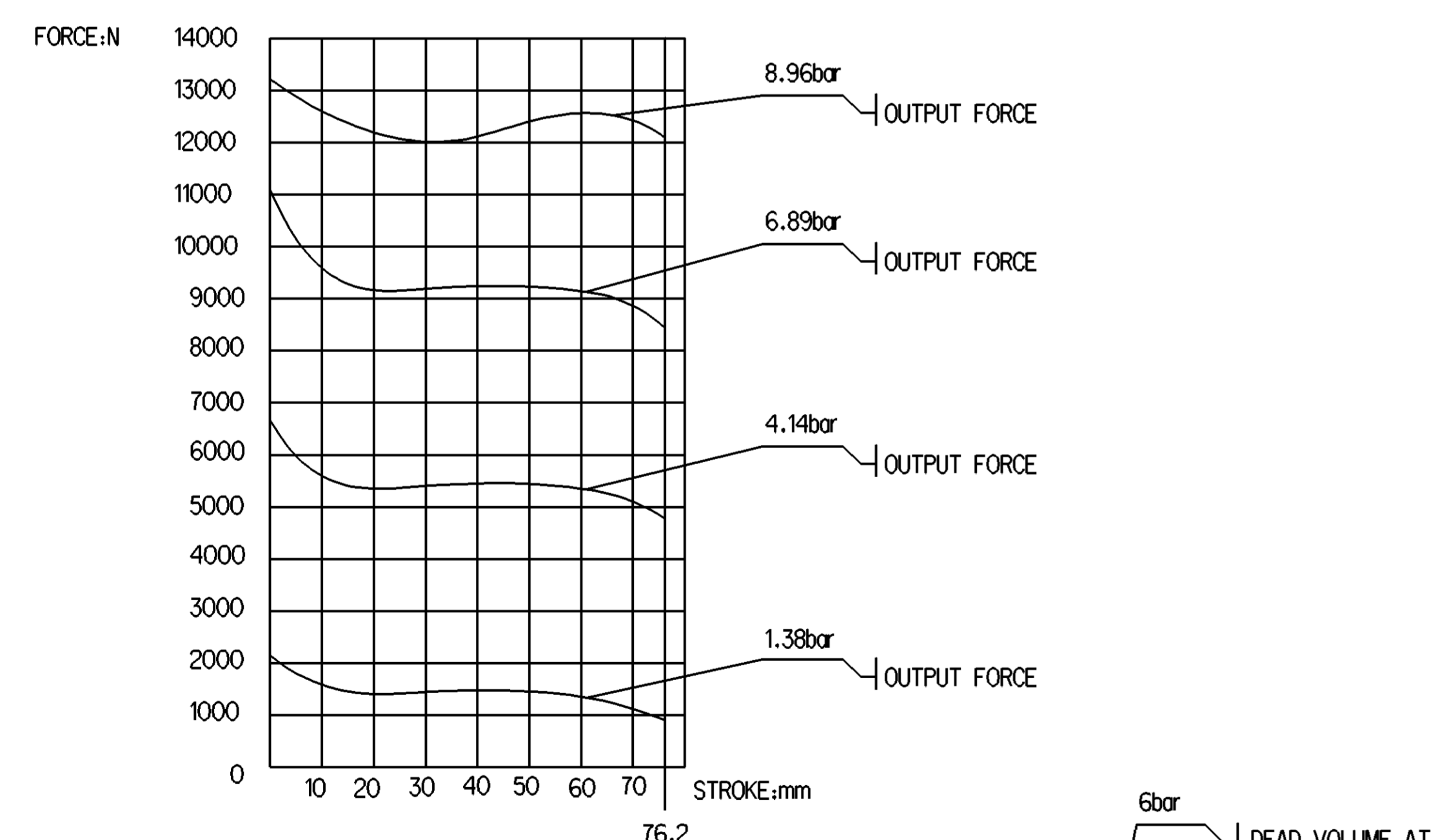
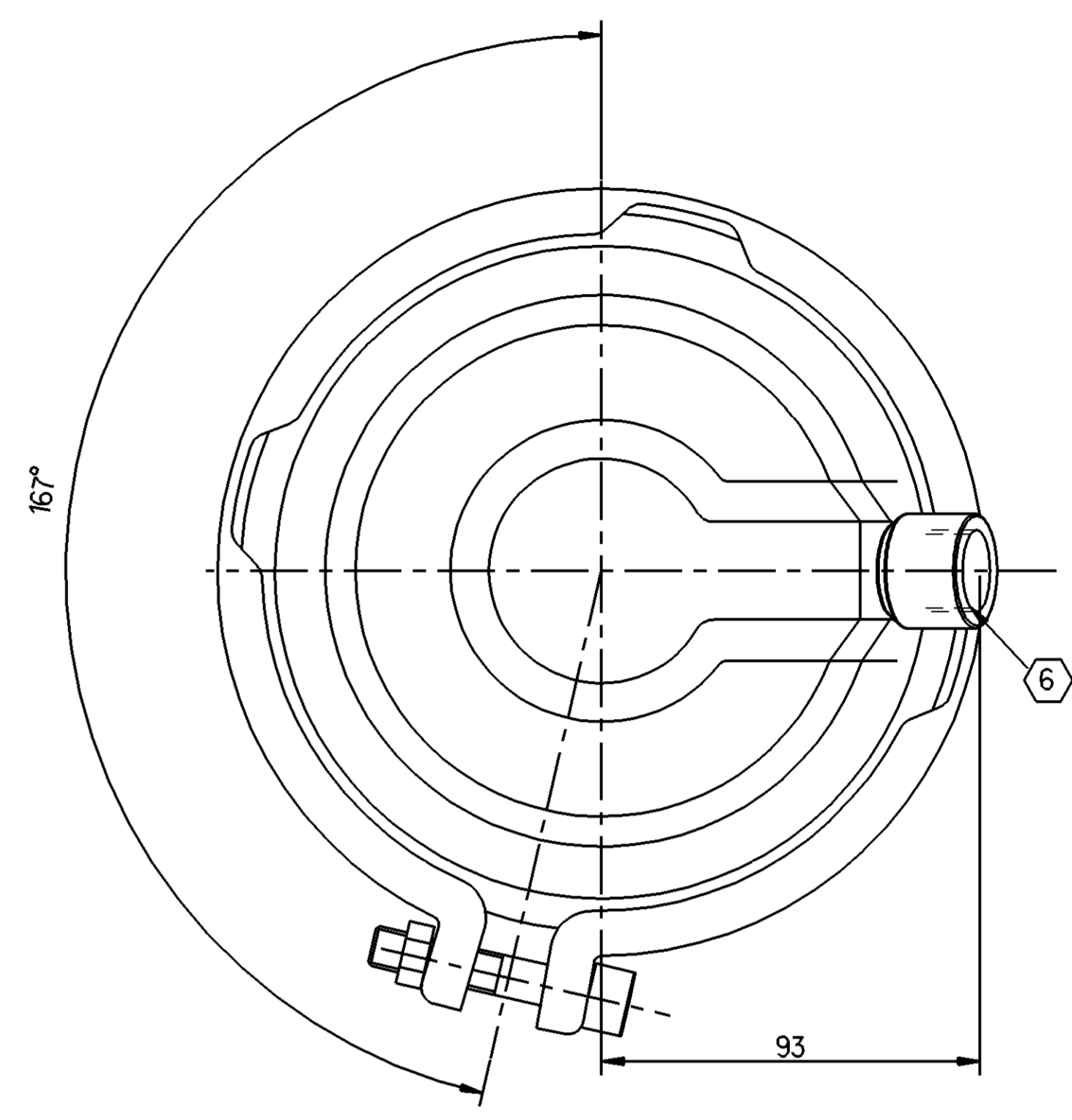
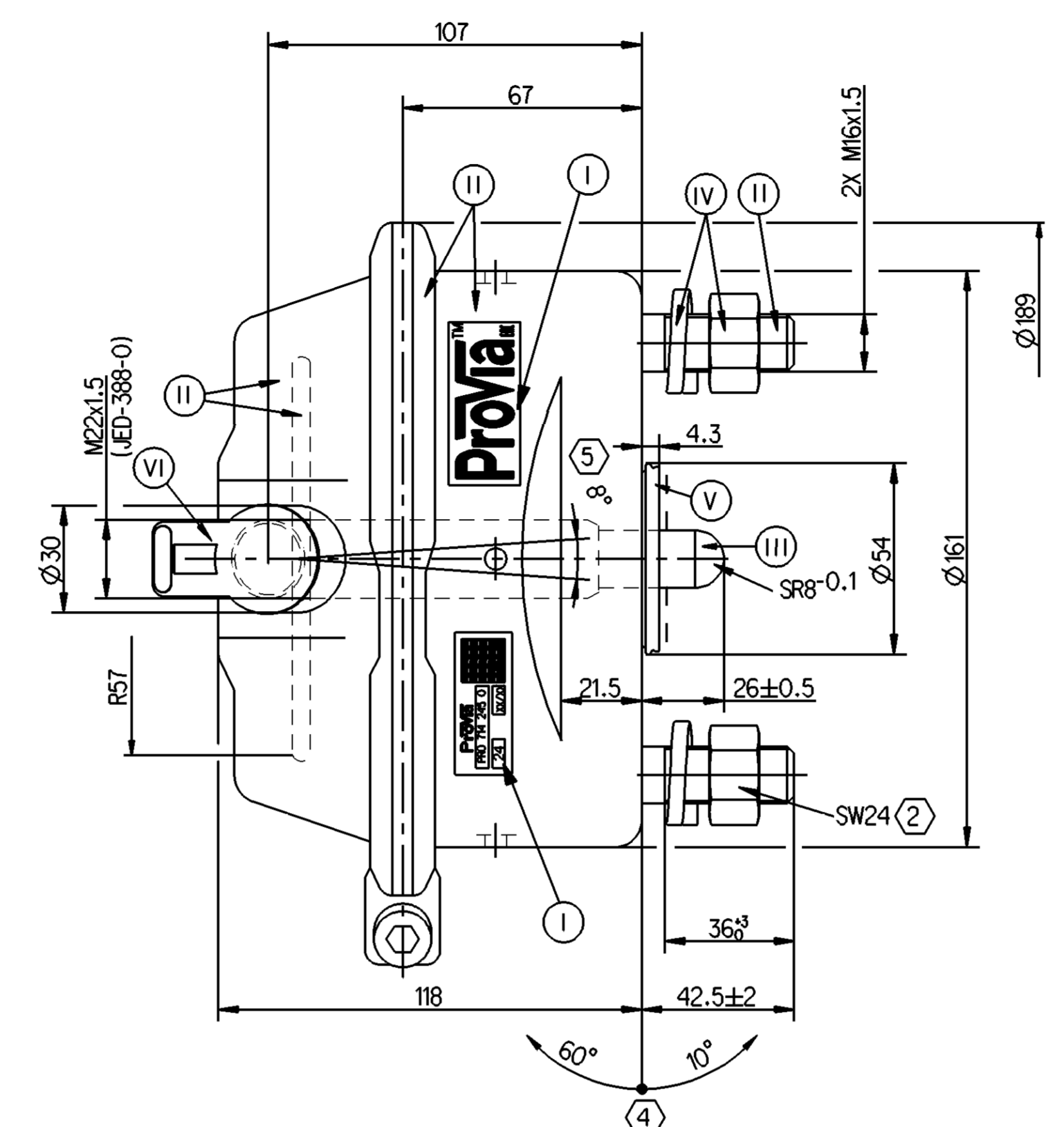
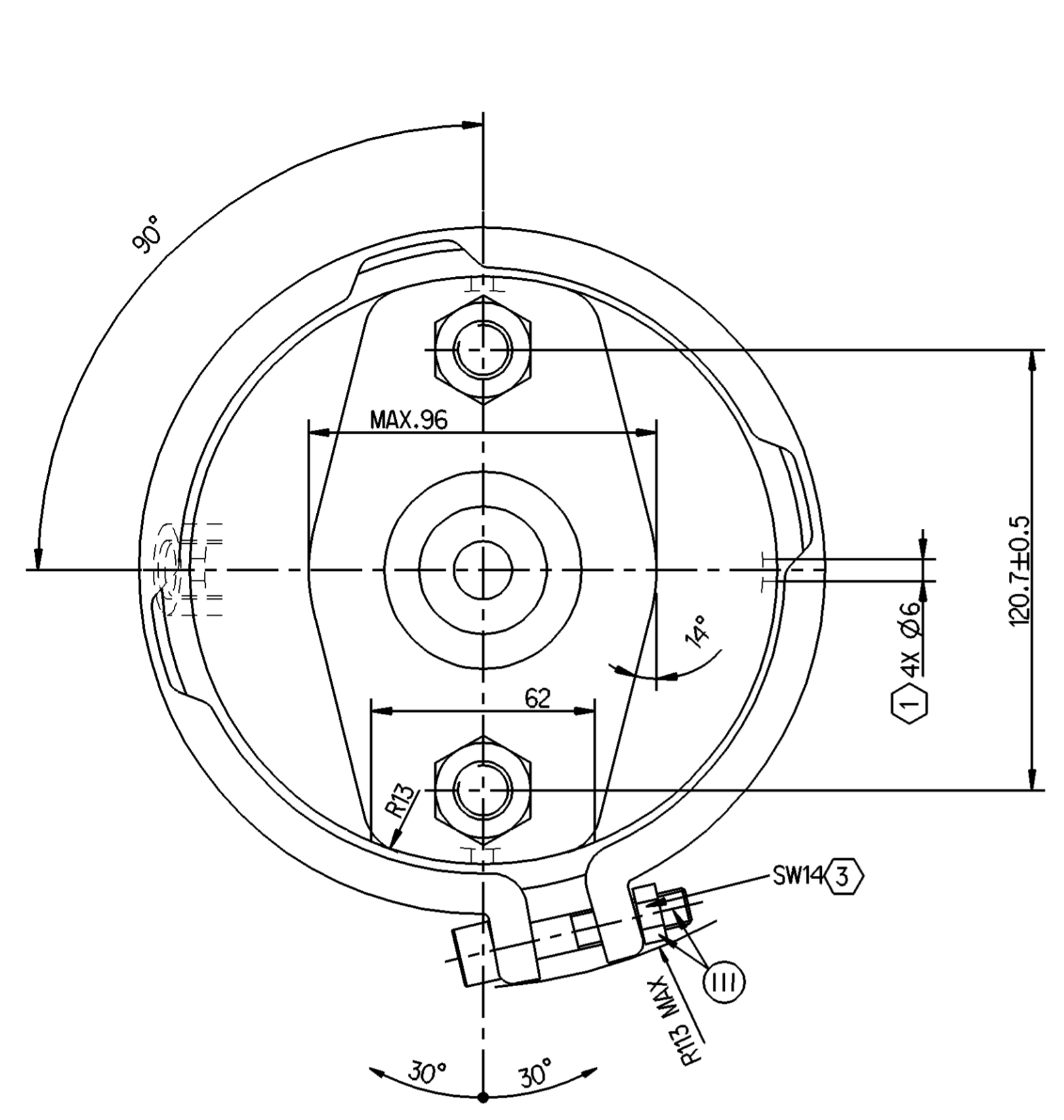


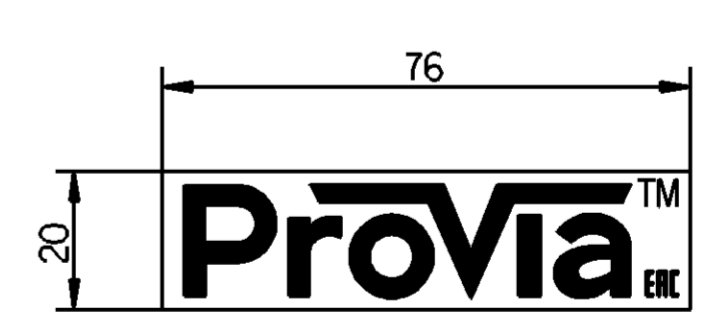
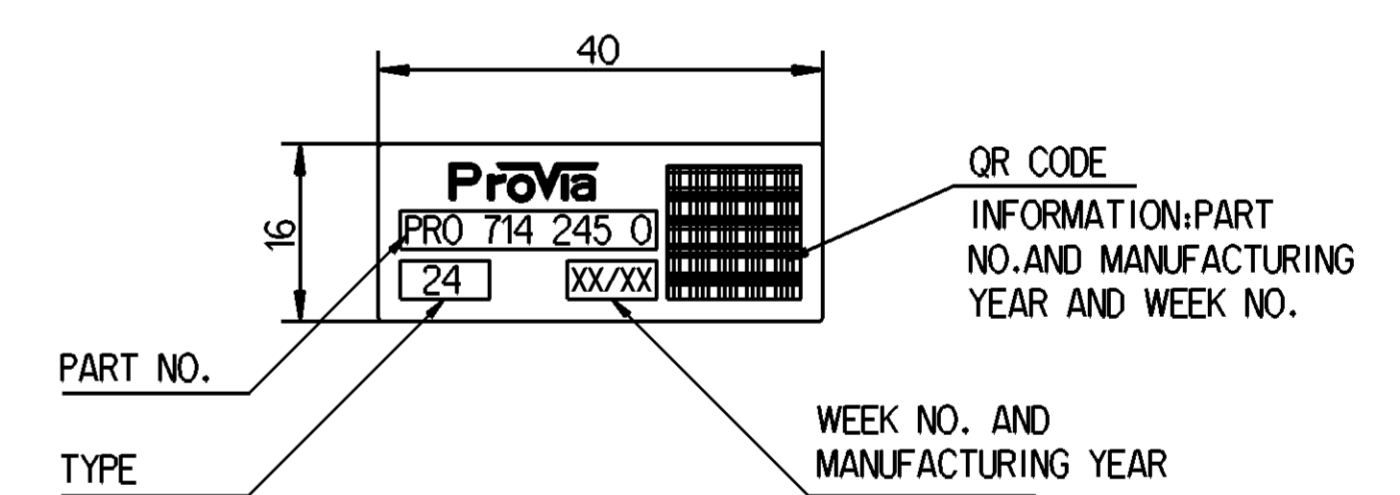
SURFACE PROTECTION	
I	STICKER
II	ELECTRO-PAINTING
III	DACROMET
IV	ZINC PLATED WITH CR6+ FREE
V	RUBBER
VI	HARD POLYETHYLENE

<P>	SAFETY CHARACTERISTICS	0
<S>	SIGNIFICANT CHARACTERISTICS	0

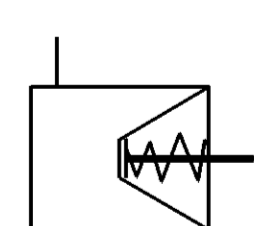


- 1 OPEN BREATHER HOLE
- 2 TORQUE: 220±20 Nm
- 3 TORQUE: ≥35Nm
- 4 ADMISSIBLE INSTALLATION POSITION
- 5 DEFLECTION: 8° MAX AT STROKE:0 mm
- 6 TORQUE: 70±10Nm

TECHNICAL REQUIREMENT:
 1. STROKE: ≥76.2mm;
 2. WORKING PRESSURE: Pmax. 10.2 bar, Temporarily 13 bar;
 3. WORKING TEMPERATURE: -40°C...+80°C (-40°F...+176°F);



NAME PLATE



General Specifications: JED-334-1 - Size ISO 14405 LP		Copyright WABCO®		Date		Signature	
Further Technical Data: PRO 714 710 0		Doc. Code: 035		Sheet: 01		To: 05	
General Tolerances JED-261		2019-07-12		Saranvanan		Checked	
Range of Nominal Dimensions (± mm)		2019-07-12		Yerachachavan		Expert	
Class	1)	≤ 50	> 50 < 180	≤ 180	≤ 400	> 400	<
Fine		0.5	1.0	1.5	2.0		
Medium	X	1.0	2.0	3.0	4.0		±3°
Coarse		2.0	3.5	5.0	6.5		
Tapped Holes acc. JED-388-0		Mass		Scale		Material No.	
1) Tolerance Class Applied Crossmarked		3.4 KG		1:1		PRO 714 245 0	
		Size		CAD System		Date of first issue: 2019-07-12	
		A 1		CREO		Doc. Code Language Sheet	
						005 EN 1/1	
						Tech. Resp. Replacement for	
						5350_AM	