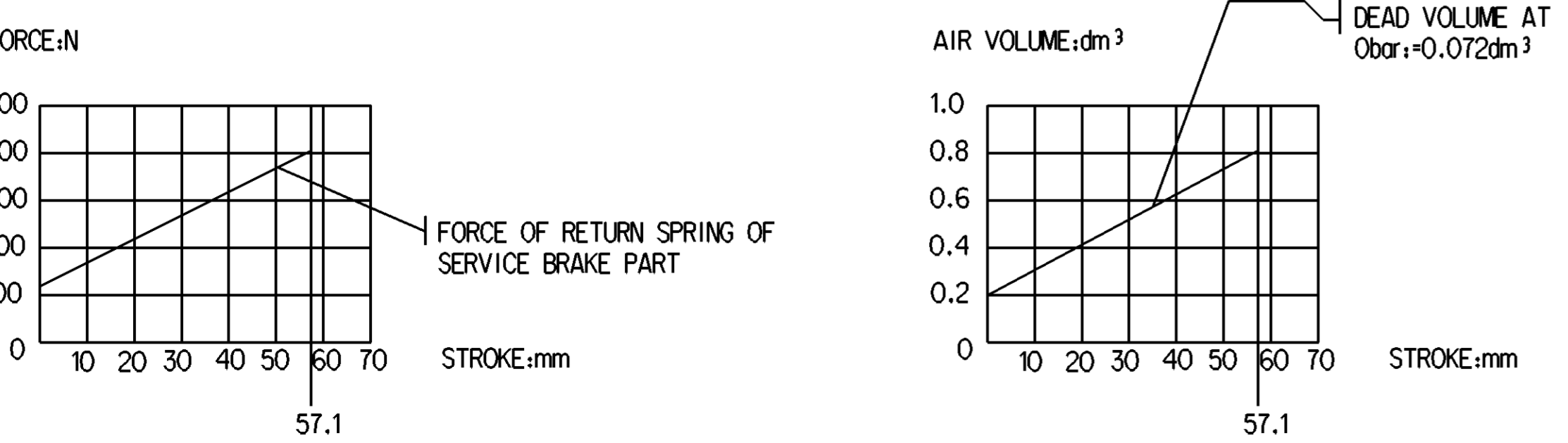
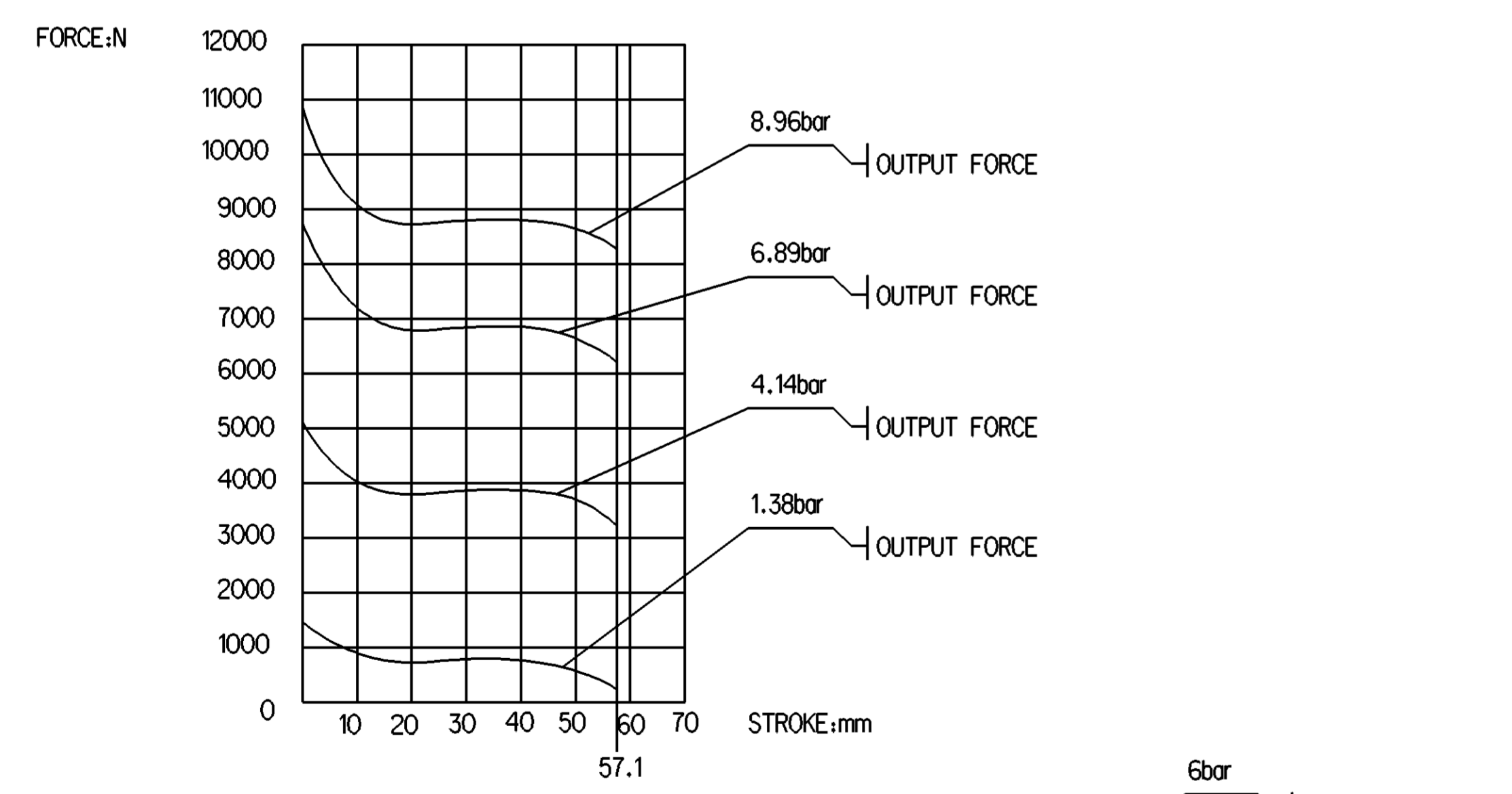
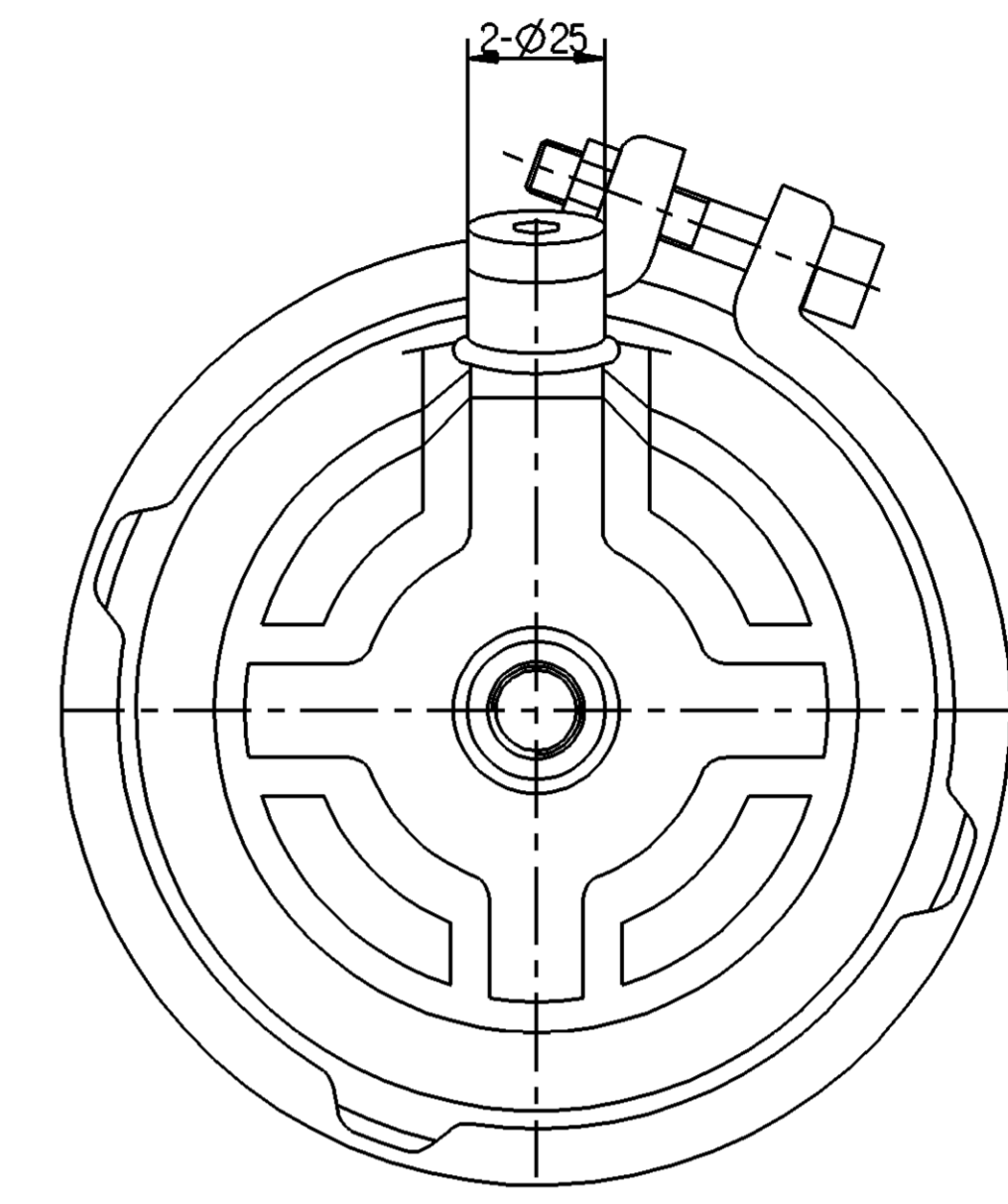
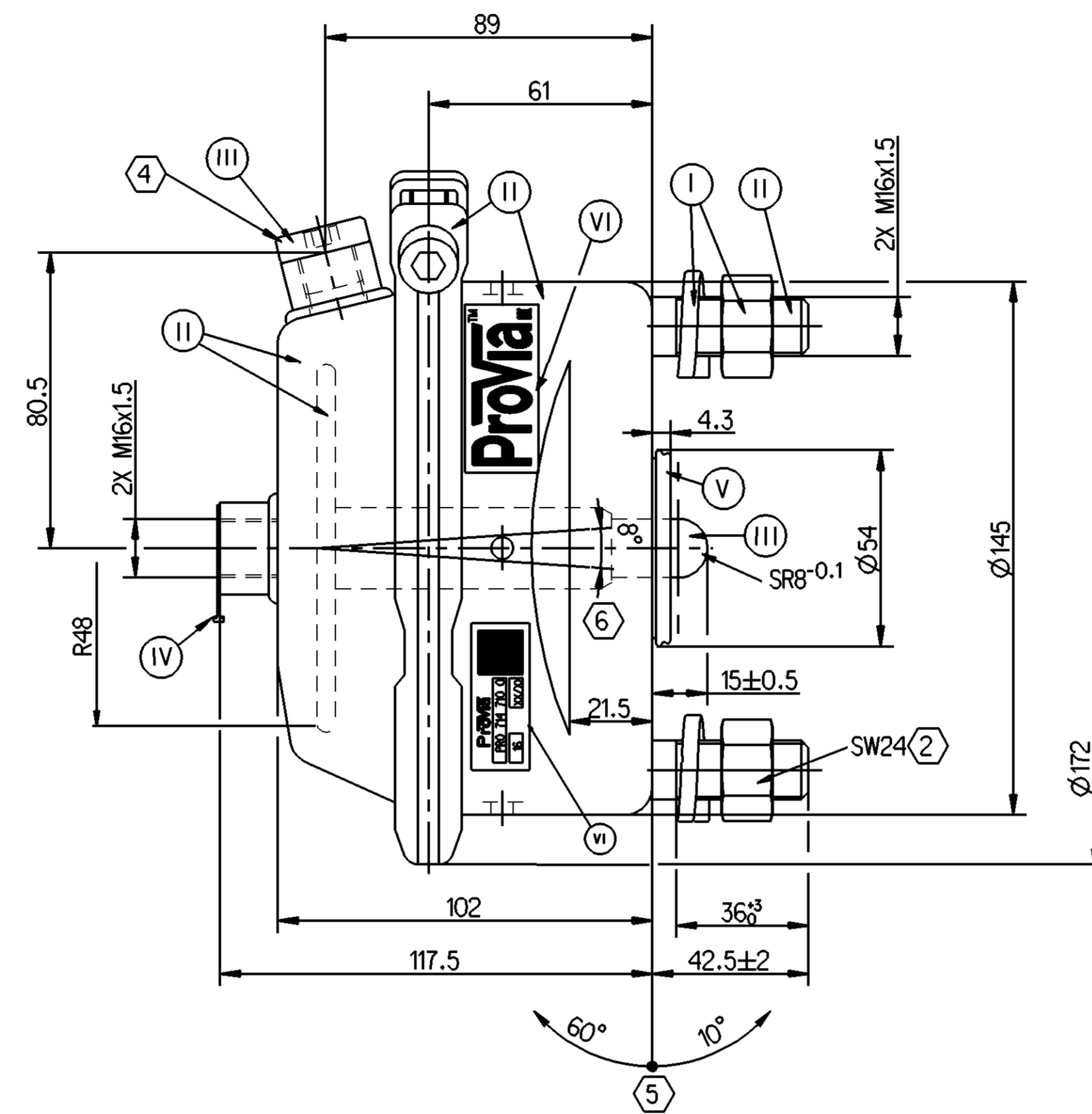
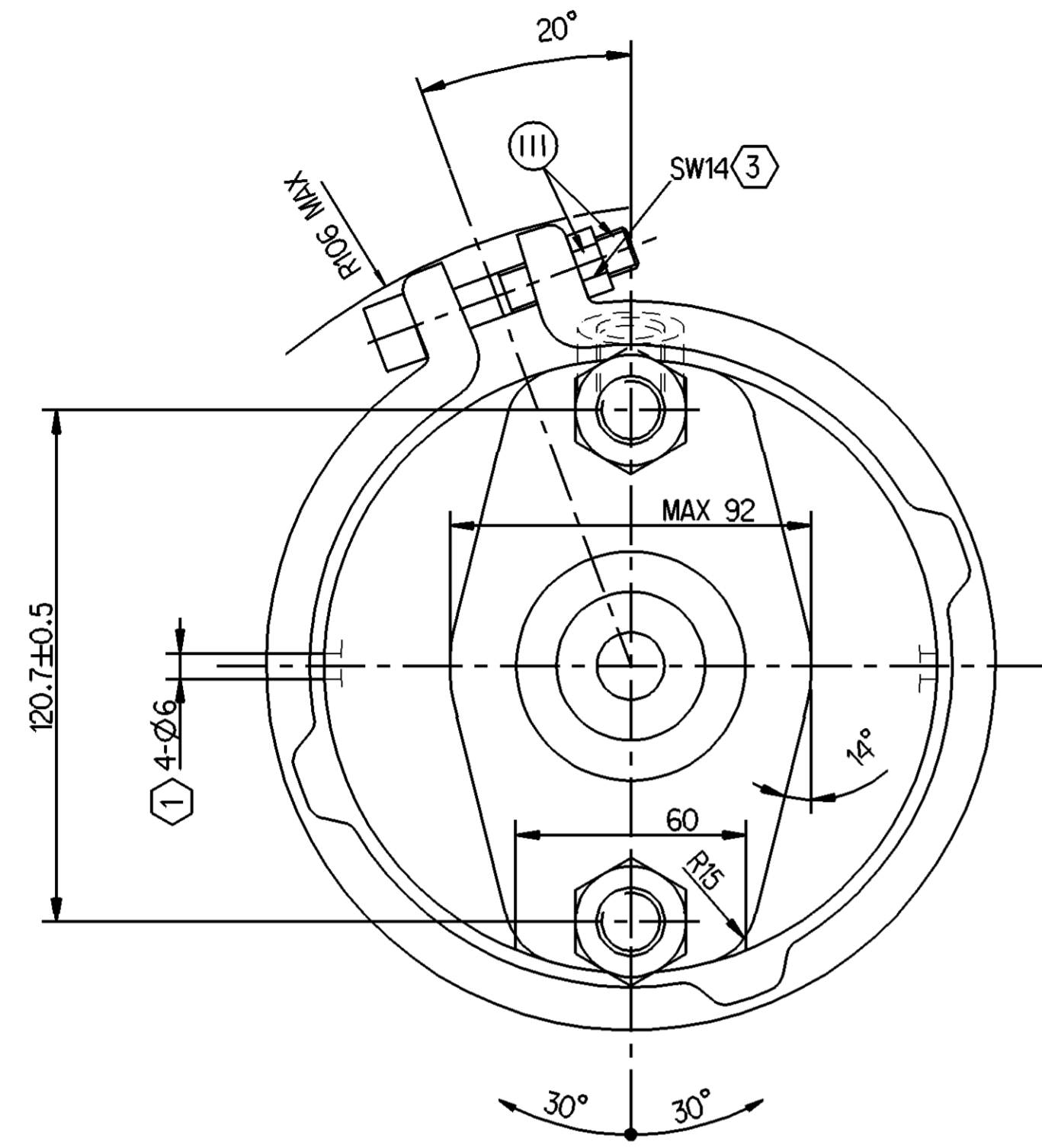


SURFACE PROTECTION	
I	ZINC PLATED WITH CR6+ FREE
II	ELECTRO- PAINTING
III	DACROMET
IV	HARD POLYETHYLENE
V	RUBBER
VI	STICKER

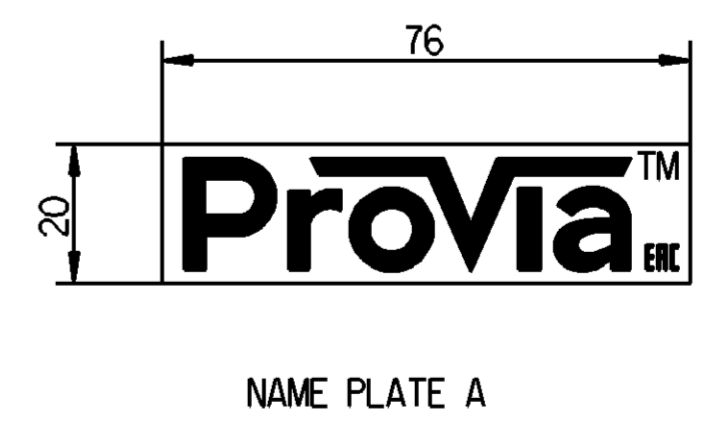
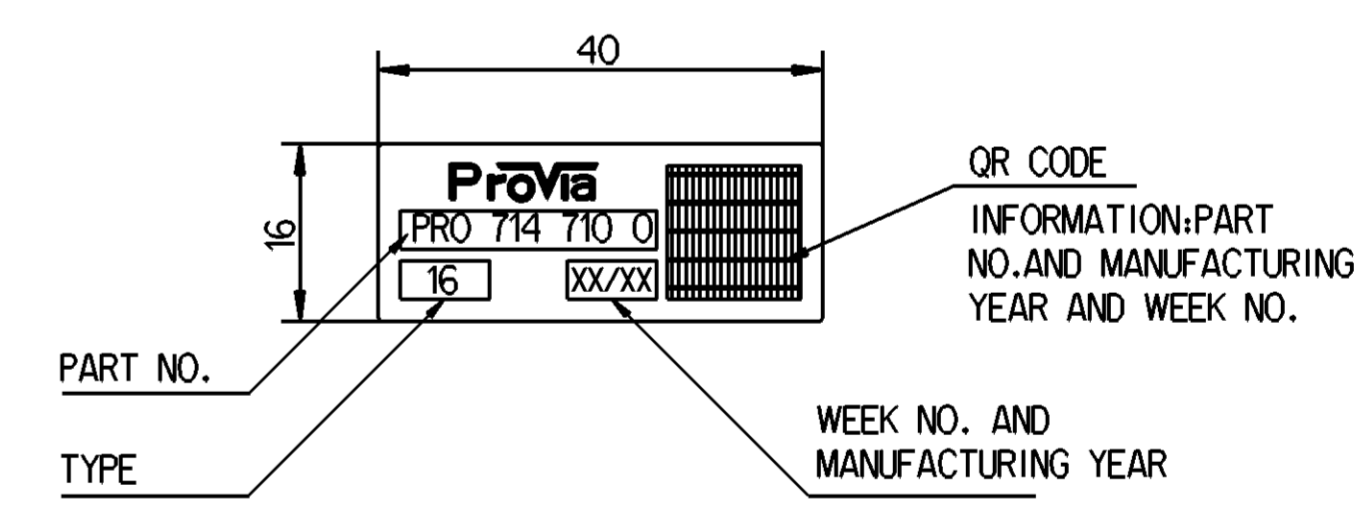
<- SAFETY CHARACTERISTICS	0
<- SIGNIFICANT CHARACTERISTICS	0



GRAPHS FOR INFORMATION ONLY

- ① OPEN BREATHER HOLE
- ② TORQUE: 220±20 Nm
- ③ TORQUE: ≥35Nm
- ④ TORQUE: 45±5Nm
- ⑤ ADMISSIBLE INSTALLATION POSITION
- ⑥ DEFLECTION: 8° MAX AT STROKE:0 mm

**TECHNICAL REQUIREMENT:**  
 1. STROKE: ≥57.1mm;  
 2. WORKING PRESSURE:  
 Pmax. 10.2 bar, Temporarily 13 bar;  
 3. WORKING TEMPERATURE: -40°C...+80°C ( -40°F...+176°F );



General Specifications: JED-334-1 - Size ISO 14405 LP		Copyright WABCO®	
Further Technical Data: PRO 714 710 0		Date	Signature
Doc. Code: 035	Sheet: 01 To 05	2019-06-18	Saravanan
General Tolerances JED-261		Checked	
Range of Nominal Dimensions ( ± mm)		2019-07-12 Yerachelvan	
		Expert	
		Aswin kumar	
Class	1) ≤ 50	2) > 50 & ≤ 180	3) > 180 & ≤ 400
Fine	0.5	1.0	1.5
Medium	1.0	2.0	3.0
Coarse	2.0	3.5	5.0
		±3°	
Tapped Holes acc. JED-152		Mass	Scale
1) Tolerance Class Applied Crossmarked		3.2	1:1
		Size	CAD System
		PRO 714 710 0	
		Doc.No.	Revision
		5350_AM	Techn. Resp.
			Replacement for

Non è permesso copiare o riprodurre questo documento, né utilizzare il contenuto a fini commerciali, senza permesso scritto dalla WABCO. Tutti i diritti sono riservati. L'uso non autorizzato di questo documento è vietato. Toute réimpression ou utilisation non autorisée sans la permission écrite de la WABCO est formellement interdite. Toute utilisation non autorisée sera considérée comme étant illicite.