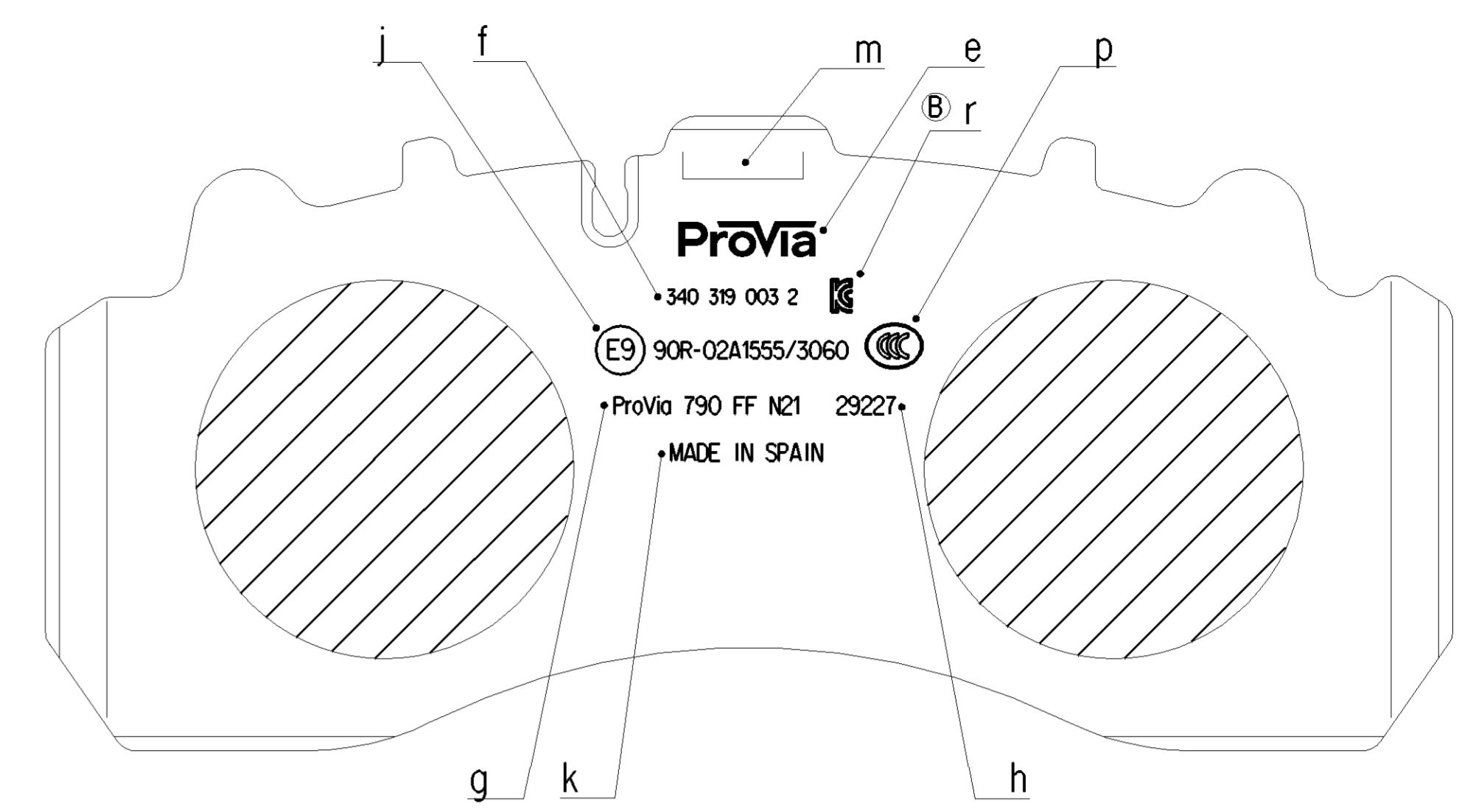
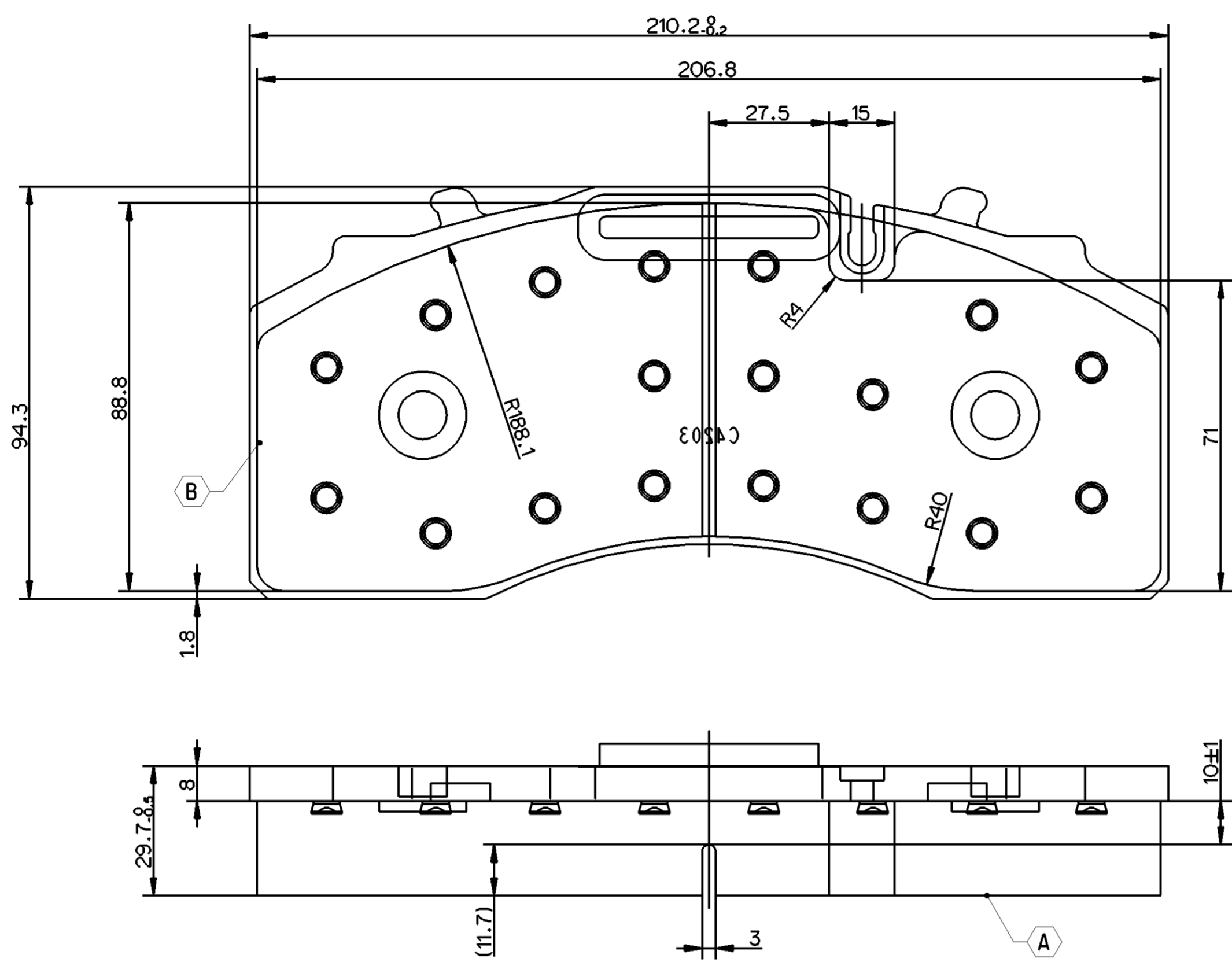


<A> SAFETY CHARACTERISTICS	0
<B> SIGNIFICANT CHARACTERISTICS	0
<C> CUSTOMER INTERFACE	0



DRAFT FOR TEXT AREAS EXPLANATION ONLY. DRAFT CAN BE DIFFERENT TO THE REAL PART.  
HEIGHT OF CHARACTERS AND POSITION OF THE MARKING MAY BE ACC. TO THE SHAPE OF THE BACKING PLATE.

IDENTIFICATION	DESIGNATION	KIND OF MARKING	COLOUR	SIZE OF TYPES	REMARKS
e	PROVIA - LOGO	TAMPON / UV-BRANDING	WHITE	HEIGHT 6±1	
f	PROVIA - SET NUMBER	<sup>B</sup> INKJET PRINTING	WHITE	<sup>B</sup> HEIGHT 2.5±1	
g	FRICTION MATERIAL CODE	<sup>B</sup> INKJET PRINTING		HEIGHT 3±1	
h	NUMBER OF WVA				
j	NUMBER OF ECE R90				
k	COUNTRY OF ORIGIN				
m	TRACEABILITY CODE	<sup>B</sup> STAMPING			
n	EAC - LOGO	STICKER PRINTING	BLACK	HEIGHT 6	LOGO TO BE ADDED IN PACKAGING BOX STICKER
p	CCC - LOGO	<sup>B</sup> INKJET PRINTING	WHITE	SIZE 8X6.3±1	
r	KC - LOGO	<sup>B</sup> INKJET PRINTING	WHITE <sup>B</sup>	<sup>B</sup> HEIGHT 6±1	

- <sup>A</sup> MAX. 10% LACQUER PERMITTED, WITHOUT MOULD SKIN. (ACC. TO FINISHING CODE)
- <sup>B</sup> FIRMLY ATTACHED BURR AROUND PAD CONTOUR PERMITTED, MUST NOT PROTRUDE BEYOND BACKING PLATE

POS.	NAME	NUMBER OF WVA	QUANTITY
1	BRAKE PAD	29227	4

General Specification: JED-334-1 - Size ISO 14405 LP  
Further Technical Data: 340 319 003 2  
Doc. Code: 014 Sheet: 1 To 3

Copyright WABCO®  
Date: 2021-09-28  
Signature:   
Checked:   
Expert:

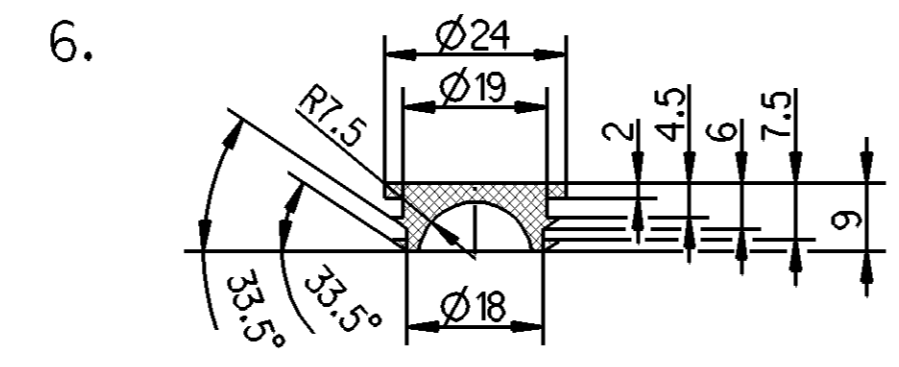
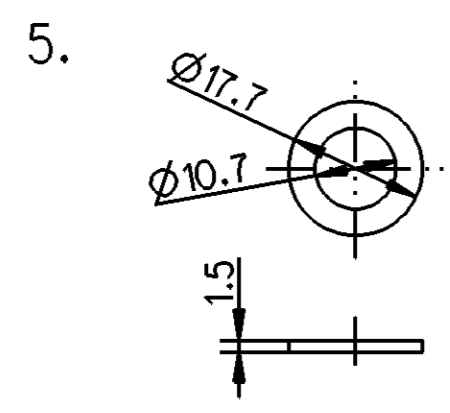
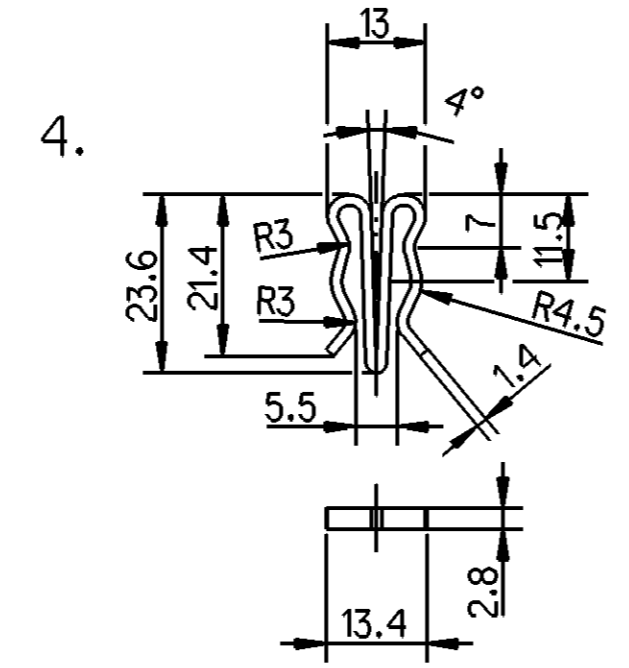
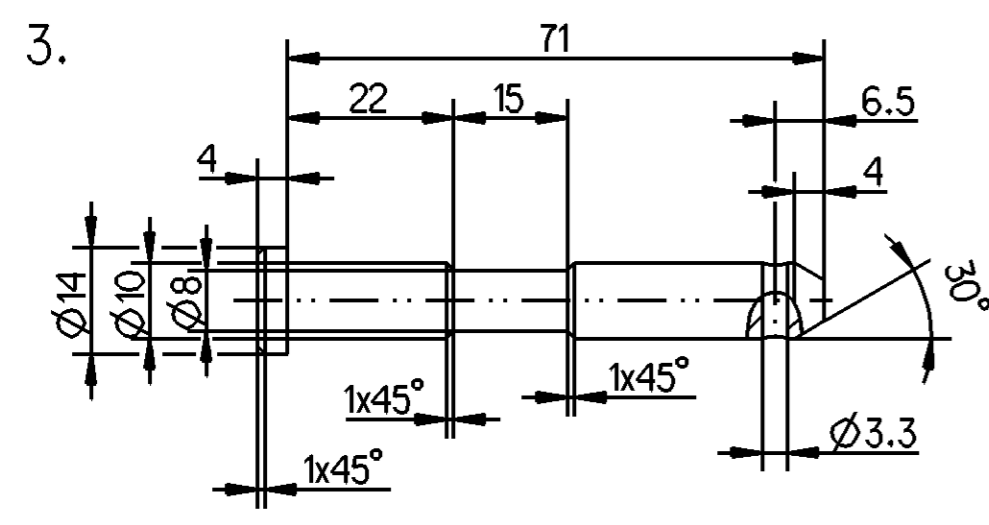
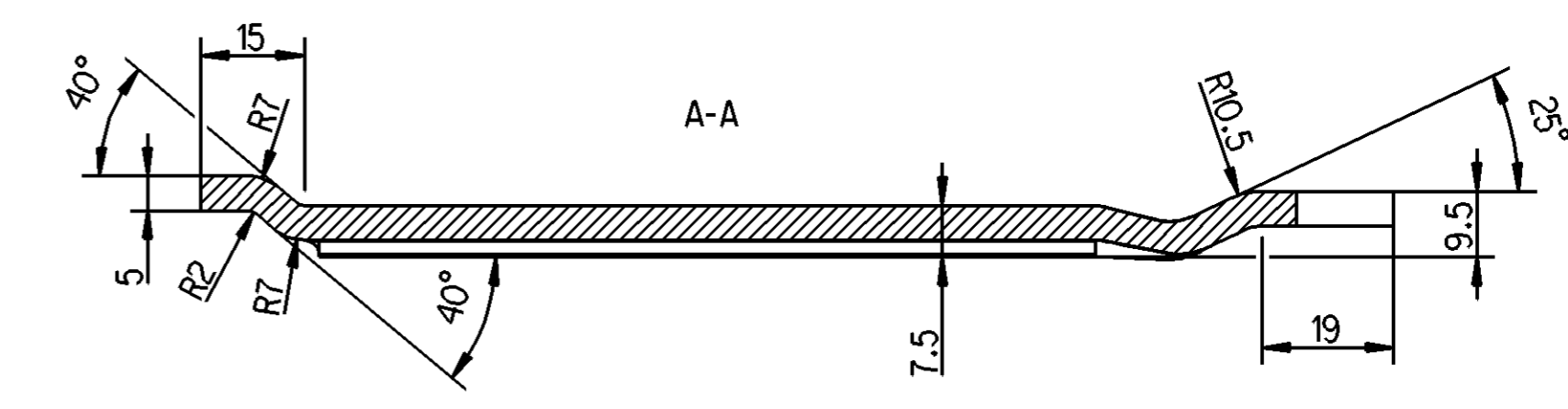
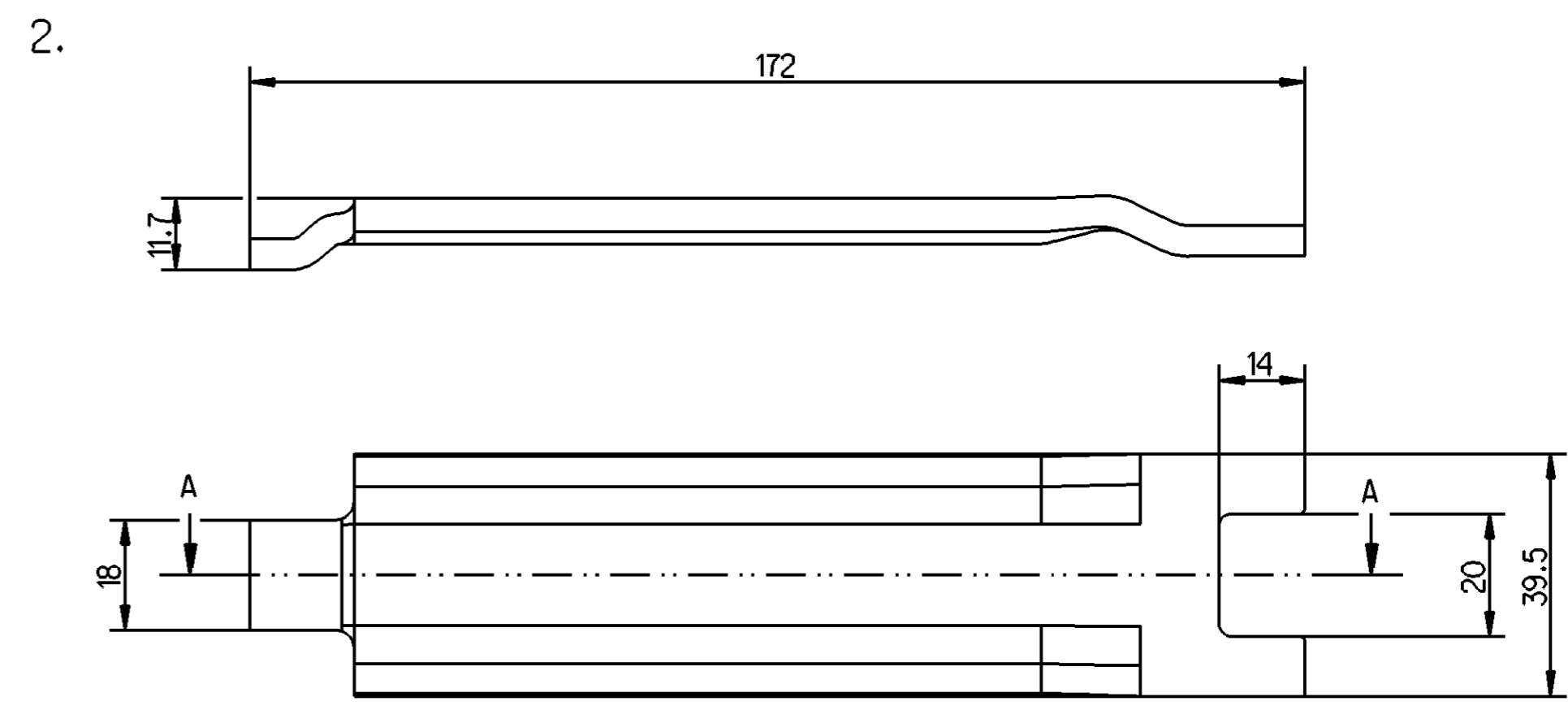
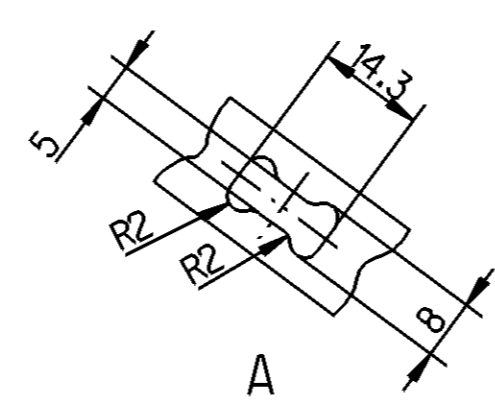
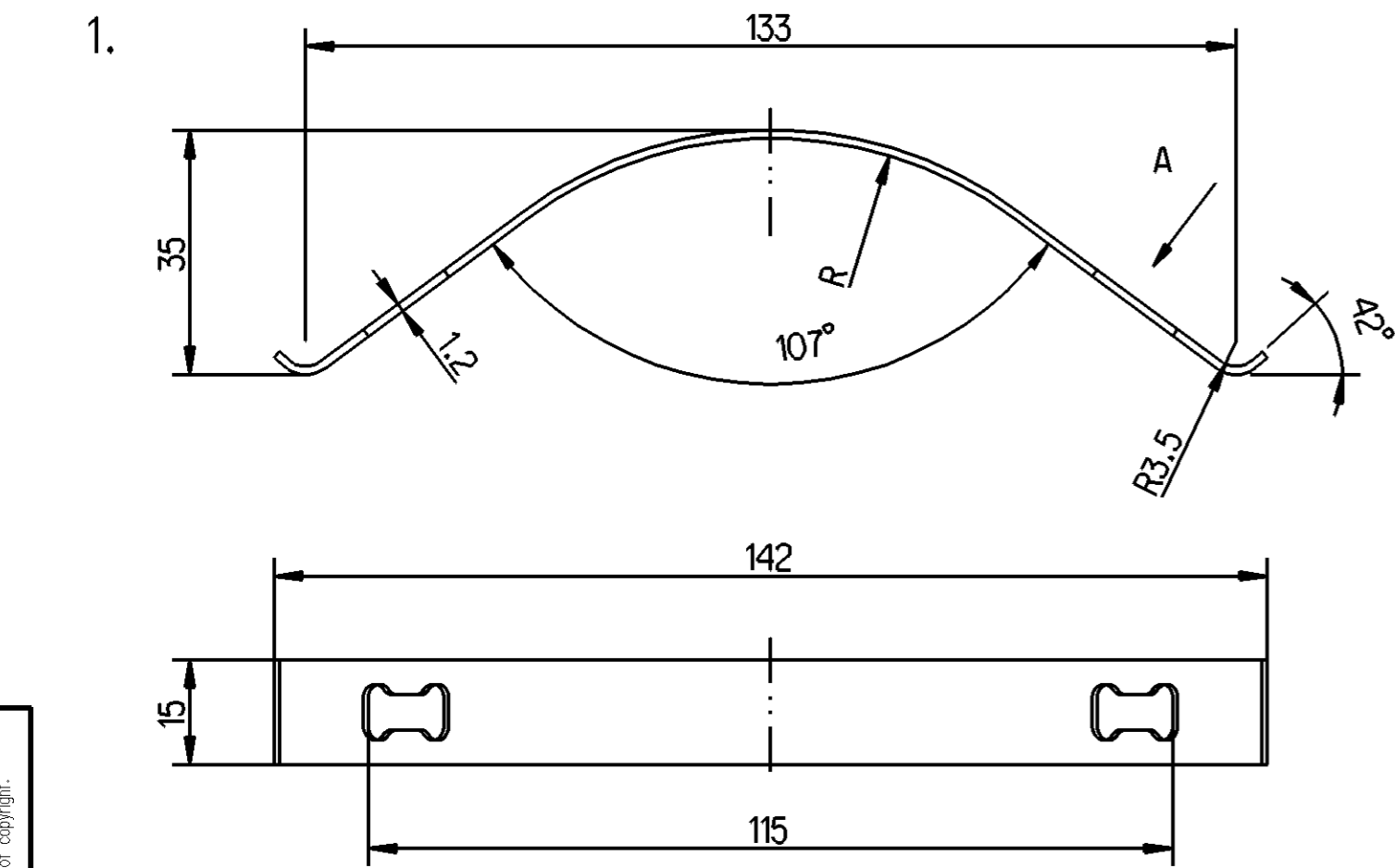
Material No.: 340 319 003 2  
Date of first issue: 2021-05-17  
Doc. Code: 005 EN 1/2

Mass: 8.67 kg  
Scale: 1:1  
Size: CAD System

ECN-No.: 509293  
Revision: 10x B  
Techn. Resp.: 6928\_AM

1) Tolerance Class Applied Crossmarked

Non e permesso copiare o riprodurre questo documento, ne utilizzare il contenuto o riprodurre il marchio, senza permesso scritto dalla WABCO. Tutti i diritti sono riservati. E' vietata espressamente la ristampa o l'uso non autorizzato di questo documento. Toute reproduction ou utilisation de son contenu sans autorisation écrite de la WABCO est formellement interdite. Toute utilisation non autorisée de ce document est formellement interdite. All rights reserved. No part of this document may be reproduced, stored in a retrieval system, or transmitted in any form or by any means, electronic, mechanical, photocopying, recording, or by any information storage and retrieval system, without the prior written permission of WABCO.



POS.	NAME	QUANTITY
1	SPRING	4
2	PLATE	2
3	PIN	2
4	PIN	2
5	WASHER	2
6	RUBBER CAP	2

Non e permesso copiare, o terzi o riprodurre questo documento, ne utilizzare il contenuto o renderlo comunque noto a terzi senza autorizzazione esplicita. Ogni infrazione costituisce un evidente abuso e comportera il risarcimento dei danni subiti. E' fatta riserva di tutti i diritti derivanti da brevetti o modelli.

Copying of this document and giving it to others and the use or communication of the contents thereof, are forbidden without express authority. Contravention of this restriction will constitute an evident abuse and result in a liability to the payment of damages. All rights are reserved in the event of the grant of patent or registration of a utility model or design. This document is the subject of copyright.

Toute communication ou reproduction de ce document, toute exploitation ou communication de son contenu sont interdites, sauf autorisation expresse. Tout manquement a cette regle constitue un abus evident et expose son auteur au versement de dommages et interets. Tous droits de propriete industrielle reserves, notamment en matiere de brevets et de modesles.

Wiedergabe sowie Vervielfaltigung dieser Unterlagen, Verwertung und Mitteilung ihres Inhalts nicht gestattet, soweit nicht ausdrücklich ansonsten, Zuwendungsbedingungen stellen einer offentlichen Missbrauch dar und verpflichtet zu Schadensersatz. Alle Rechte fur den Fall der Patenterteilung oder Gebrauchsmuster-Eintragung vorbehalten.

General Specification: JED-334-1, Size ISO 14405 LP		Copyright WABCO®		<b>ProVia</b>	
Further Technical Data: 340 319 003 2		Date _____ Signature _____			
Doc. Code: 014 Sheet: 1 To 3		2021-09-28 <b>Sivoprosom</b>		<b>KIT: BRAKE PAD</b>	
General Tolerances JED-261		2021-09-28 <b>Manivanon</b>			
Range of Nominal Dimensions ( ± mm)		Checked _____		Expert _____	
Class 1)	≤ 50 > 50 > 180 > 400 > 400	Thomson Bilising		Material No. _____	
Fine	0.5 1.0 1.5 2.0	Mass Scale		Date of first issue: <b>2021-05-17</b>	
Medium	1.0 2.0 3.0 4.0	<b>8.67</b> <b>1:1</b>		Doc. Code Language Sheet	
Coarse	2.0 3.5 5.0 6.5	Size CAD System		<b>340 319 003 2</b> <b>005 EN 2/2</b>	
Tapped Holes acc. -		A 2 CREO		ECN-No. Revision Techn. Resp. Replacement for	
1) Tolerance Class Applied Crossmarked		509293 - B 6928_AM		100mm	