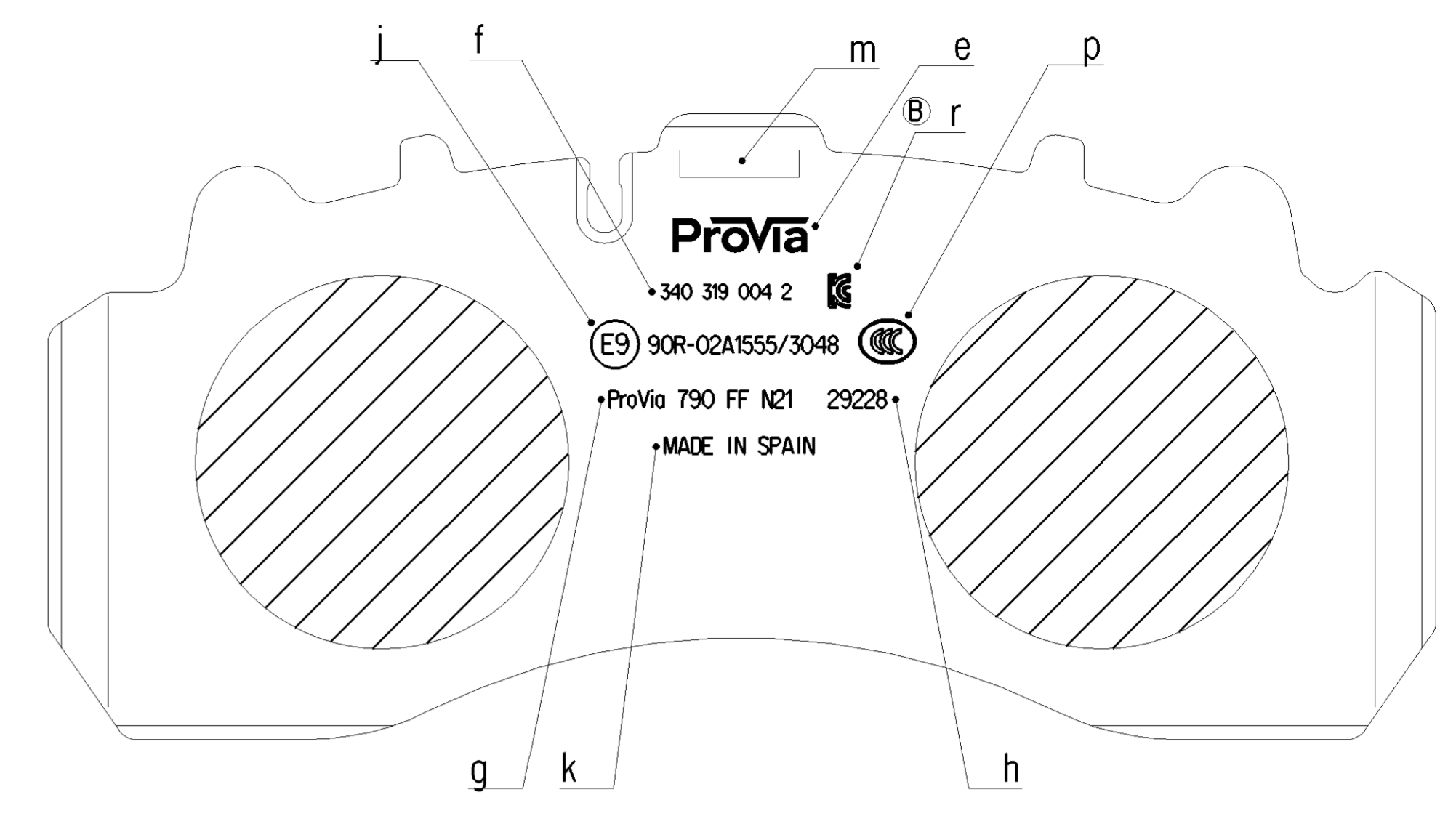
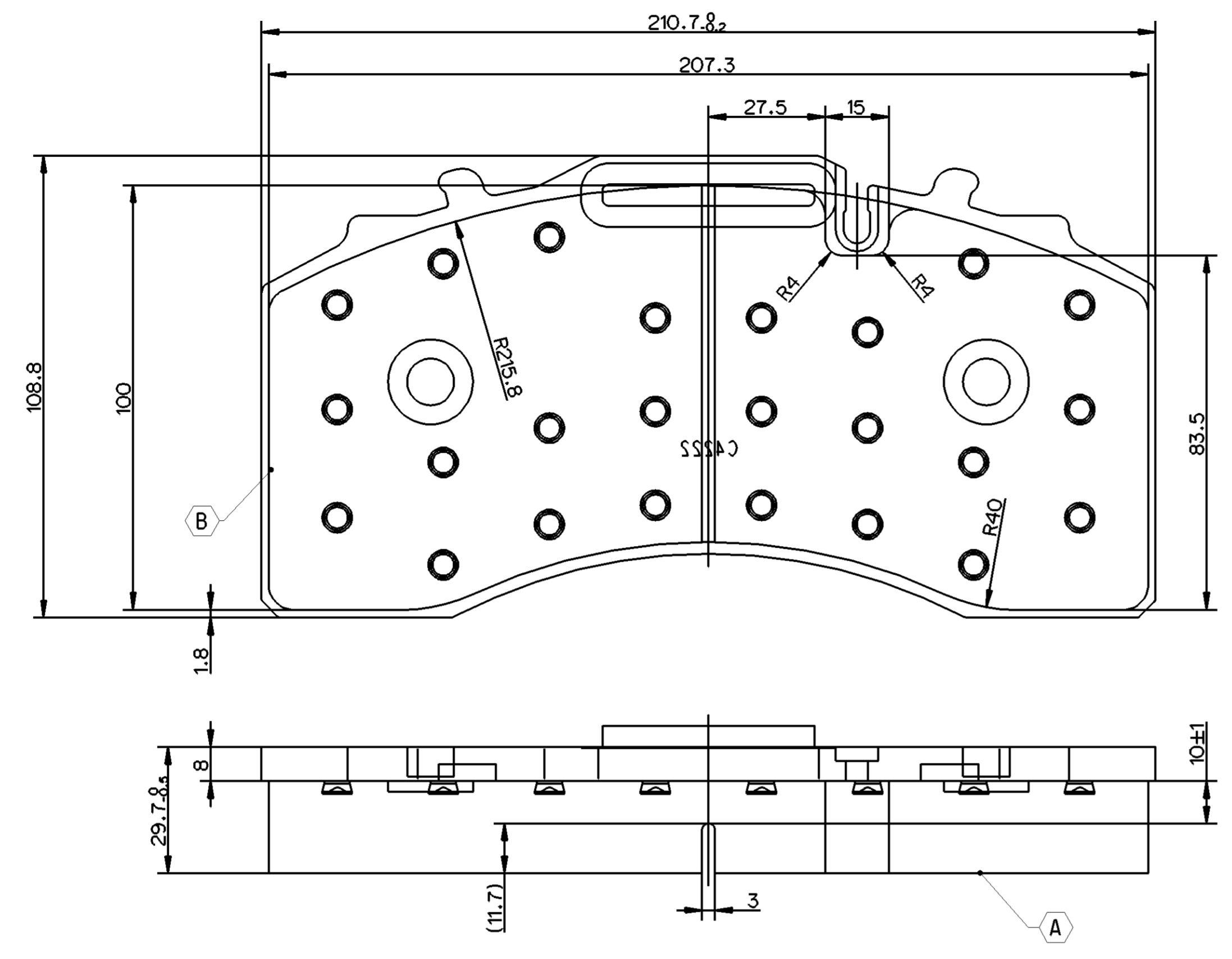


<A> SAFETY CHARACTERISTICS	0
 SIGNIFICANT CHARACTERISTICS	0
<C> CUSTOMER INTERFACE	0



DRAFT FOR TEXT AREAS EXPLANATION ONLY. DRAFT CAN BE DIFFERENT TO THE REAL PART.
HEIGHT OF CHARACTERS AND POSITION OF THE MARKING MAY BE ACC. TO THE SHAPE OF THE BACKING PLATE.

IDENTIFICATION	DESIGNATION	KIND OF MARKING	COLOUR	SIZE OF TYPES	REMARKS
e	PROVIA - LOGO	TAMPON / UV-BRANDING	WHITE	HEIGHT 6±1	
f	PROVIA - SET NUMBER	B INKJET PRINTING	WHITE	B HEIGHT 2.5±1	
g	FRICTION MATERIAL CODE			HEIGHT 3±1	
h	NUMBER OF WVA				
j	NUMBER OF ECE R90				
k	COUNTRY OF ORIGIN				
m	TRACEABILITY CODE	B STAMPING			
n	EAC - LOGO	ERIC STICKER PRINTING	BLACK	HEIGHT 6	LOGO TO BE ADDED IN PACKAGING BOX STICKER
p	CCC - LOGO	B INKJET PRINTING	WHITE	SIZE 8X6.3±1	
r	KC - LOGO	B INKJET PRINTING	B WHITE	B HEIGHT 6±1	

Non e permesso copiare o riprodurre questo documento, ne utilizzare il contenuto o renderlo comunque noto a terzi.
 Toute reproduction ou communication de son contenu sans autorisation est formellement interdite.
 Es ist nicht gestattet, dieses Unterlag zu kopieren, zu verbreiten oder in irgendeiner Weise an Dritte weiterzugeben.
 All rights reserved. No part of this publication may be reproduced, stored in a retrieval system, or transmitted in any form or by any means, electronic, mechanical, photocopying, recording, or by any information storage and retrieval system, without the prior written permission of the copyright owner.

Toute communication ou reproduction de ce document, sans autorisation est formellement interdite.
 All rights reserved. No part of this publication may be reproduced, stored in a retrieval system, or transmitted in any form or by any means, electronic, mechanical, photocopying, recording, or by any information storage and retrieval system, without the prior written permission of the copyright owner.

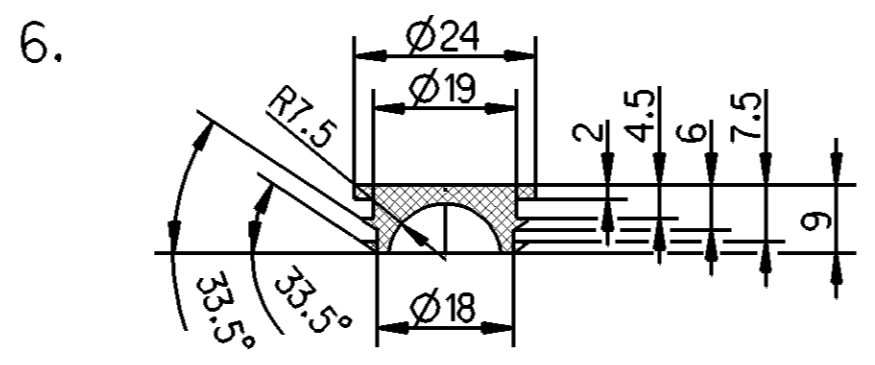
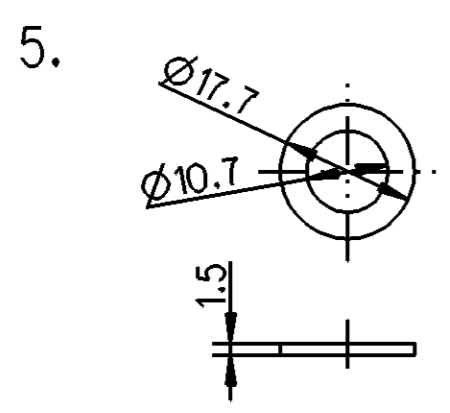
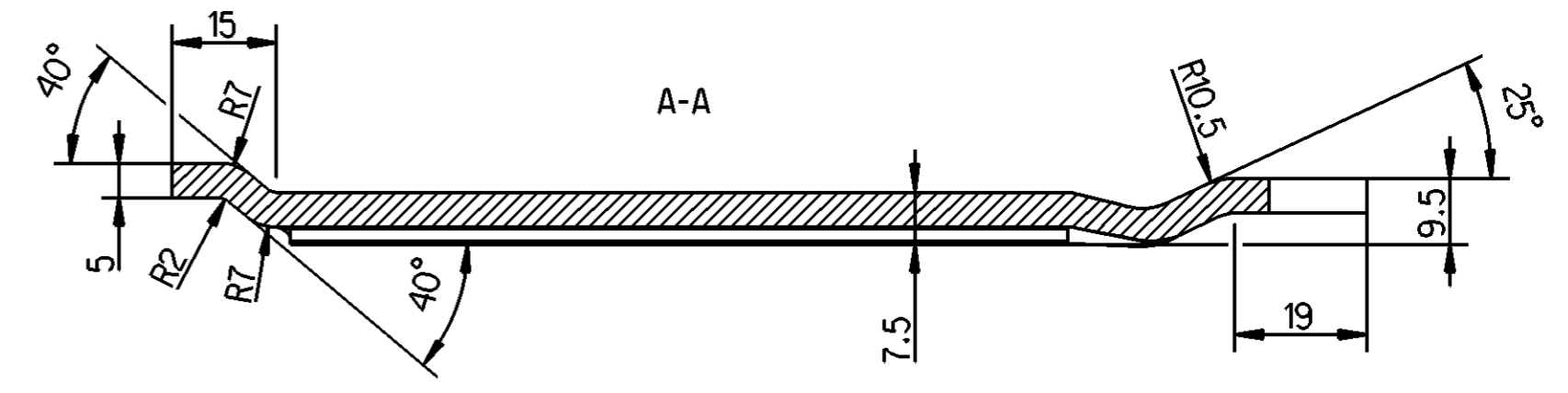
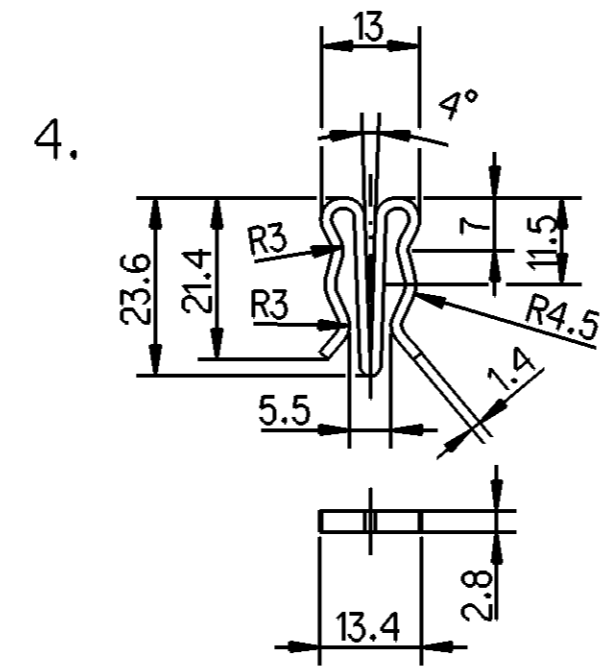
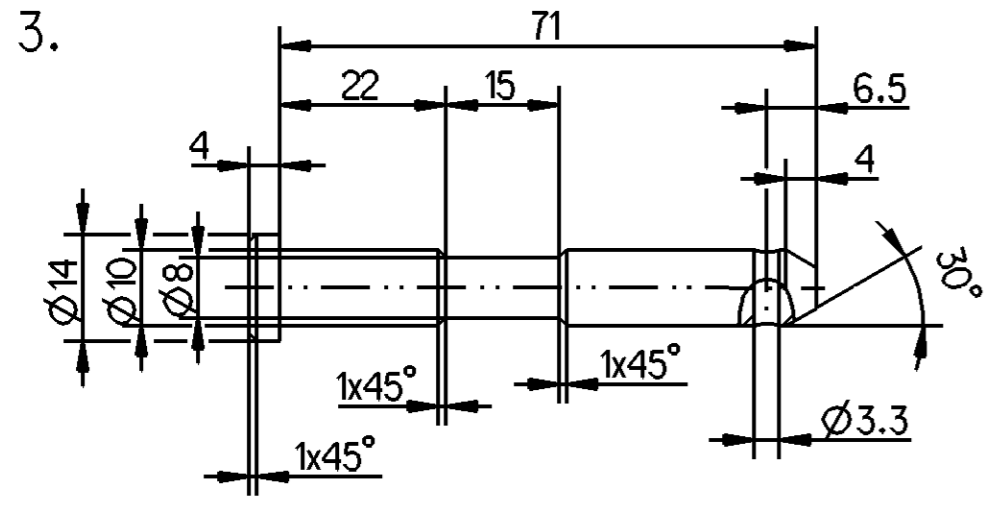
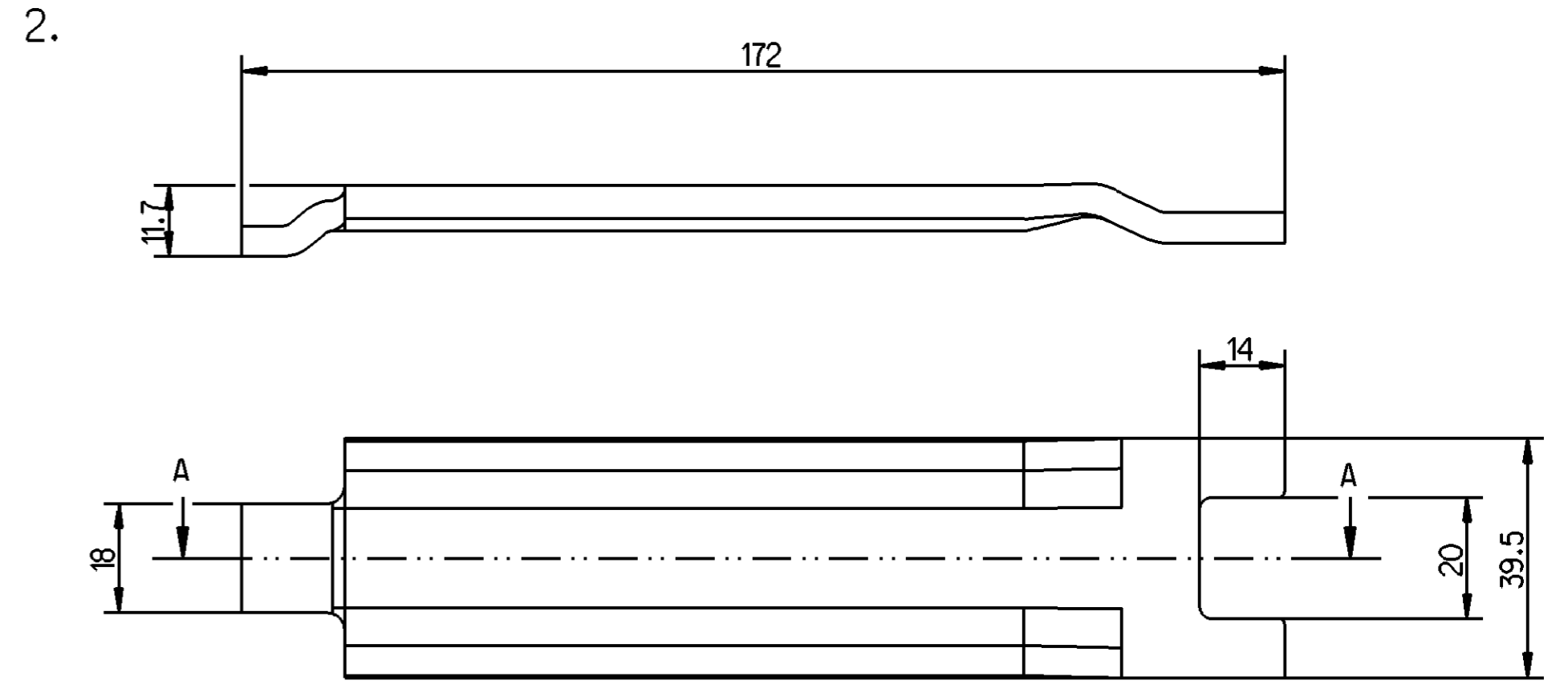
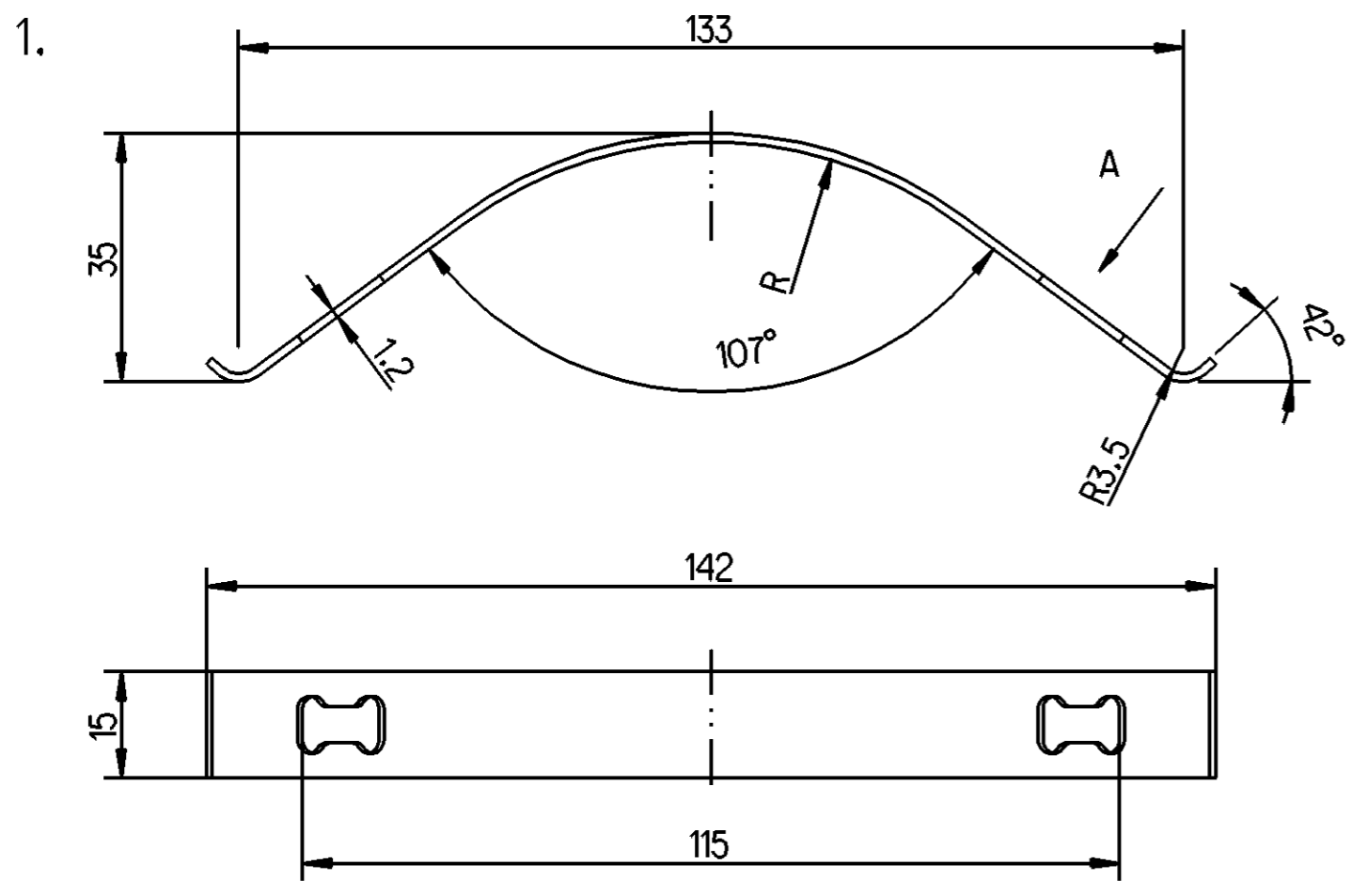
- A MAX. 10% LACQUER PERMITTED, WITHOUT MOULD SKIN. (ACC. TO FINISHING CODE)
- B FIRMLY ATTACHED BURR AROUND PAD CONTOUR PERMITTED, MUST NOT PROTRUDE BEYOND BACKING PLATE

POS.	NAME	NUMBER OF WVA	QUANTITY
1	BRAKE PAD	29228	4

General Specification: JED-334-1 - Size ISO 14405 LP		Copyright WABCO®	
Further Technical Data: 340 319 004 2		Date: 2021-09-28	Signature:
Doc. Code: 014	Sheet: 1 To 3	Checked:	
General Tolerances JED-261		Expert:	
Range of Nominal Dimensions (± mm)			
Class	1)	> 50	> 180
Fine		± 0.5	± 1.0
Medium	X	± 1.0	± 2.0
Coarse		± 2.0	± 3.5
Tapped Holes acc. -		1) Tolerance Class Applied Crossmarked	
Mass	9.87 kg	Scale	1:1
Size	CAD System	Material No.	340 319 004 2
Date of first issue: 2021-05-17		Doc. Code	005
Revision		Techn. Resp.	EN 1/2
ECN-No. 509293		Revision	09x B 6928_AM
A 1 CREO		Replacement for	

100mm

Non e permesso copiare, o terzi o riprodurre questo documento, ne utilizzare il contenuto o renderlo comunque noto a terzi senza autorizzazione esplicita. Ogni infrazione costituisce un evidente abuso e comportera il risarcimento dei danni subiti. E' fatta riserva di tutti i diritti derivanti da brevetti o modelli.
 Coping of this document and giving it to others and the use or communication of the contents thereof, are forbidden without express authority. Contravention of this restriction will constitute an evident abuse and result in a liability to the payment of damages. All rights are reserved in the event of the grant of patent or registration of a utility model or design. This document is the subject of copyright.
 Toute communication ou reproduction de ce document, toute exploitation ou communication de son contenu sont interdites, sauf autorisation expresse. Tout manquement a cette regle constitue un abus evident et expose son auteur au versement de dommages et interets. Tous droits de propriete industrielle reserves, notamment en matiere de brevets et de modesles.
 Weitergabe sowie Vervielfaltigung dieser Unterlagen, Verwertung und Mitteilung ihres Inhalts nicht gestattet, soweit nicht ausdrücklich ansonsten, zuwiderlaufenden, stellten einen offensichtlichen Missbrauch dar und verpflichtet zu Schadensersatz. Alle Rechte fuer den Fall der Patenterteilung oder Gebrauchsmuster-Eintragung vorbehalten.



POS.	NAME	QUANTITY
1	SPRING	4
2	PLATE	2
3	PIN	2
4	PIN	2
5	WASHER	2
6	RUBBER CAP	2

General Specification: JED-334-1, Size ISO 14405 LP		Copyright WABCO®		ProVia	
Further Technical Data: 340 319 004 2		Date: _____ Signature: _____			
Doc. Code: 014 Sheet: 1 To 3		Drawn: 2021-09-28 Sivaprosom		KIT: BRAKE PAD	
General Tolerances JED-261		Checked: 2021-09-28 Manivanan			
Range of Nominal Dimensions (± mm)		Expert: Thomas Bilting		Date of first issue: 2021-05-17	
Class 1)	≤ 50 > 50 ≤ 180 > 180 ≤ 400 > 400	Mass	Scale	Material No.	Doc. Code Language Sheet
Fine	±0.1 ±0.15 ±0.2 ±0.3	9.87	1:1	340 319 004 2	005 EN 2/2
Medium	±0.2 ±0.3 ±0.4 ±0.6	kg			
Coarse	±0.4 ±0.6 ±1.0 ±1.5				
Tapped Holes acc. -		Size	CAD System	ECN-No.	Revision Techn. Resp.
1) Tolerance Class Applied Crossmarked		A 2	CREO	509233	- B 6928_AM