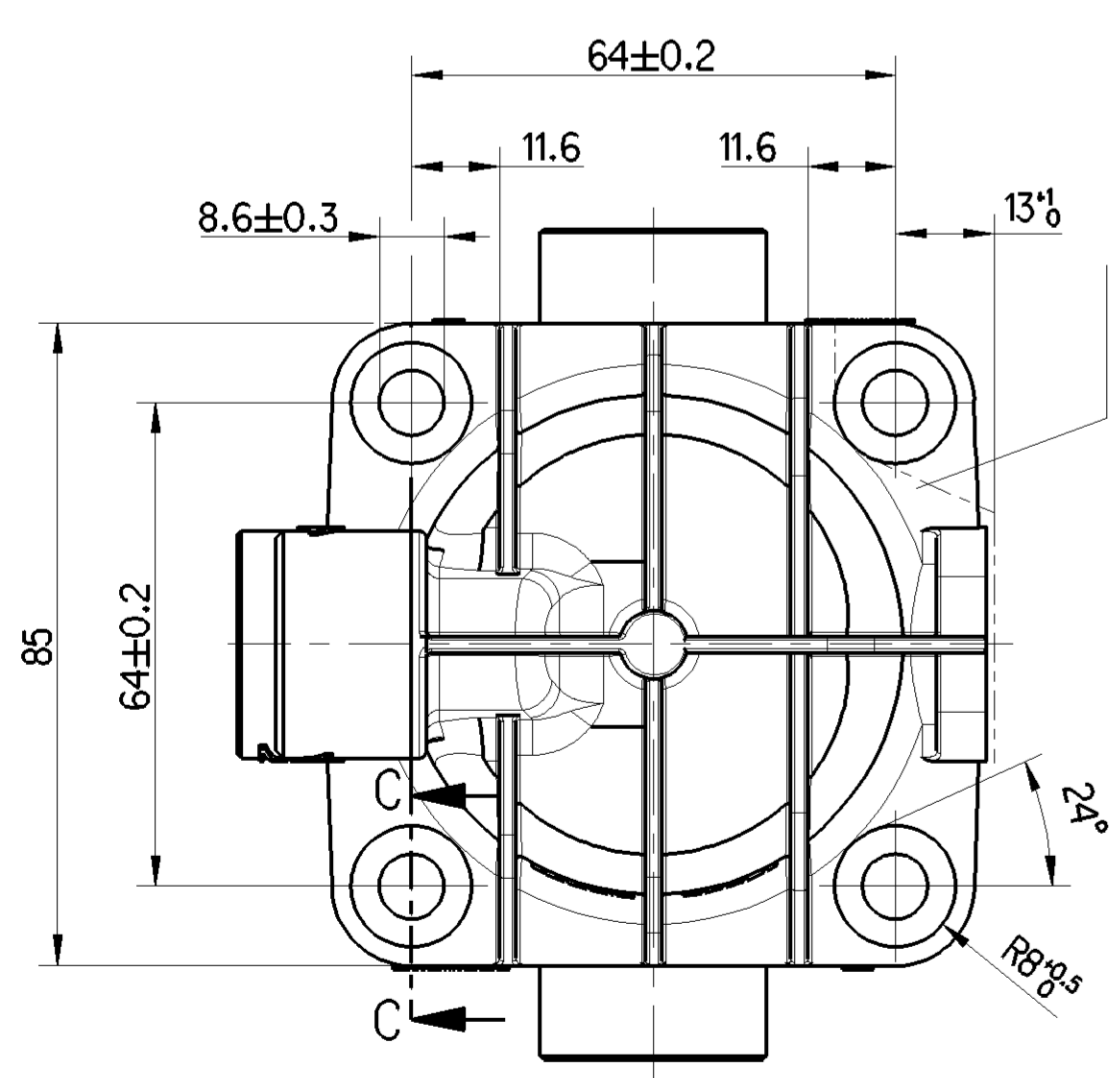
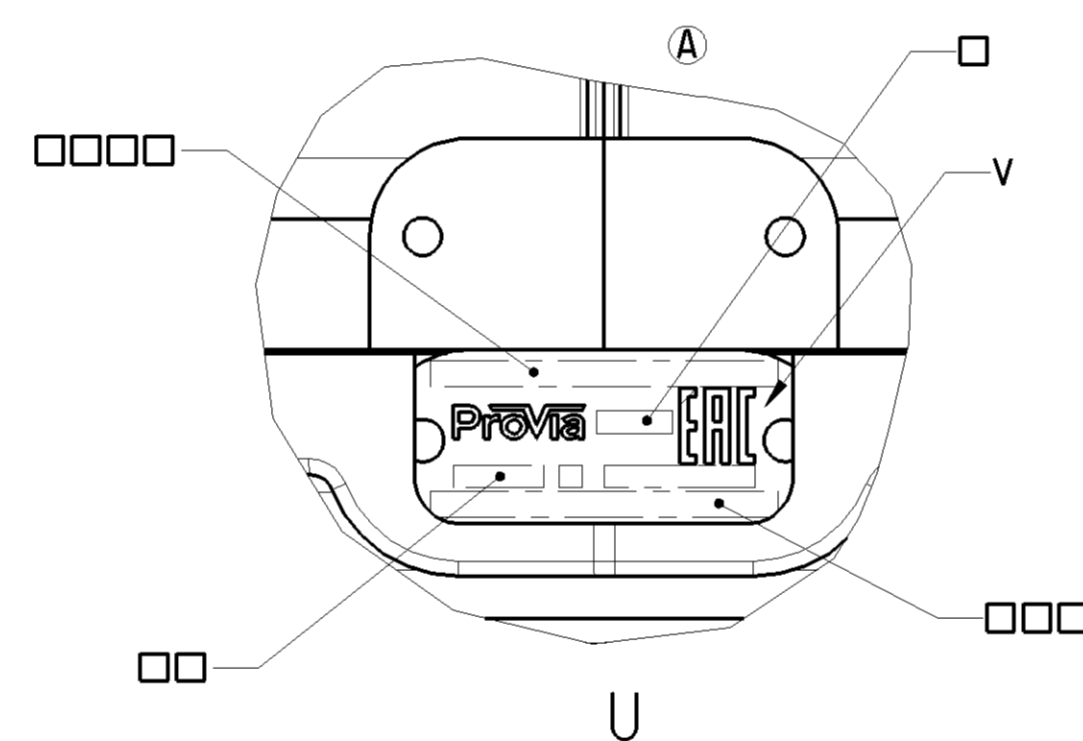
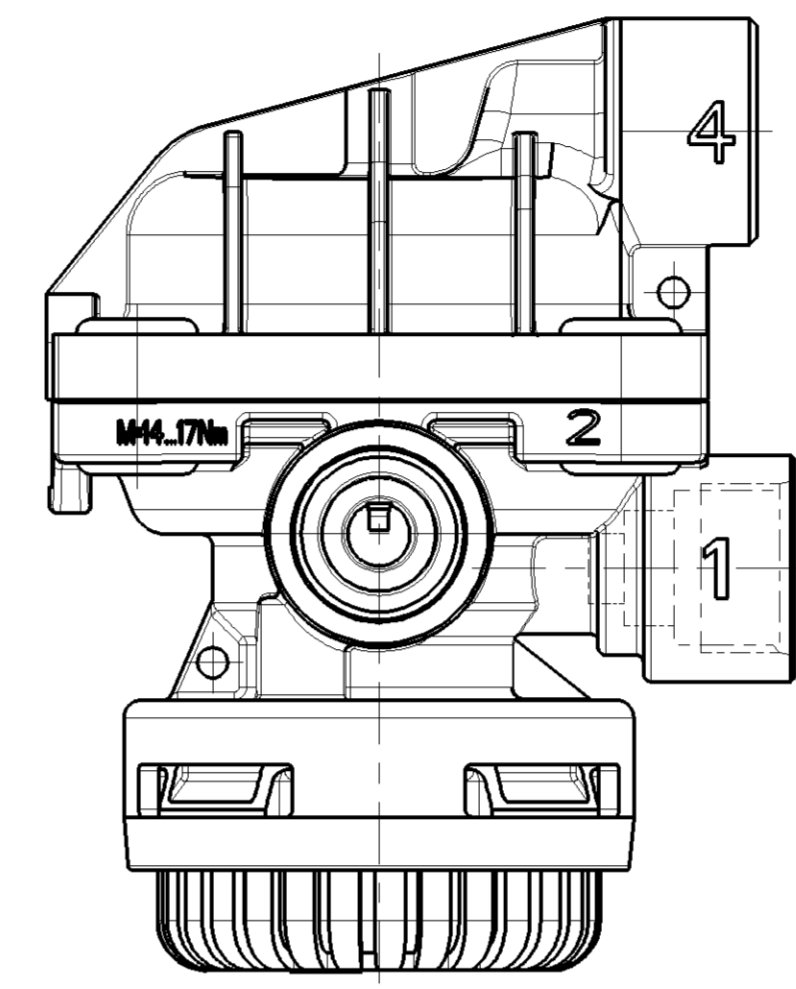
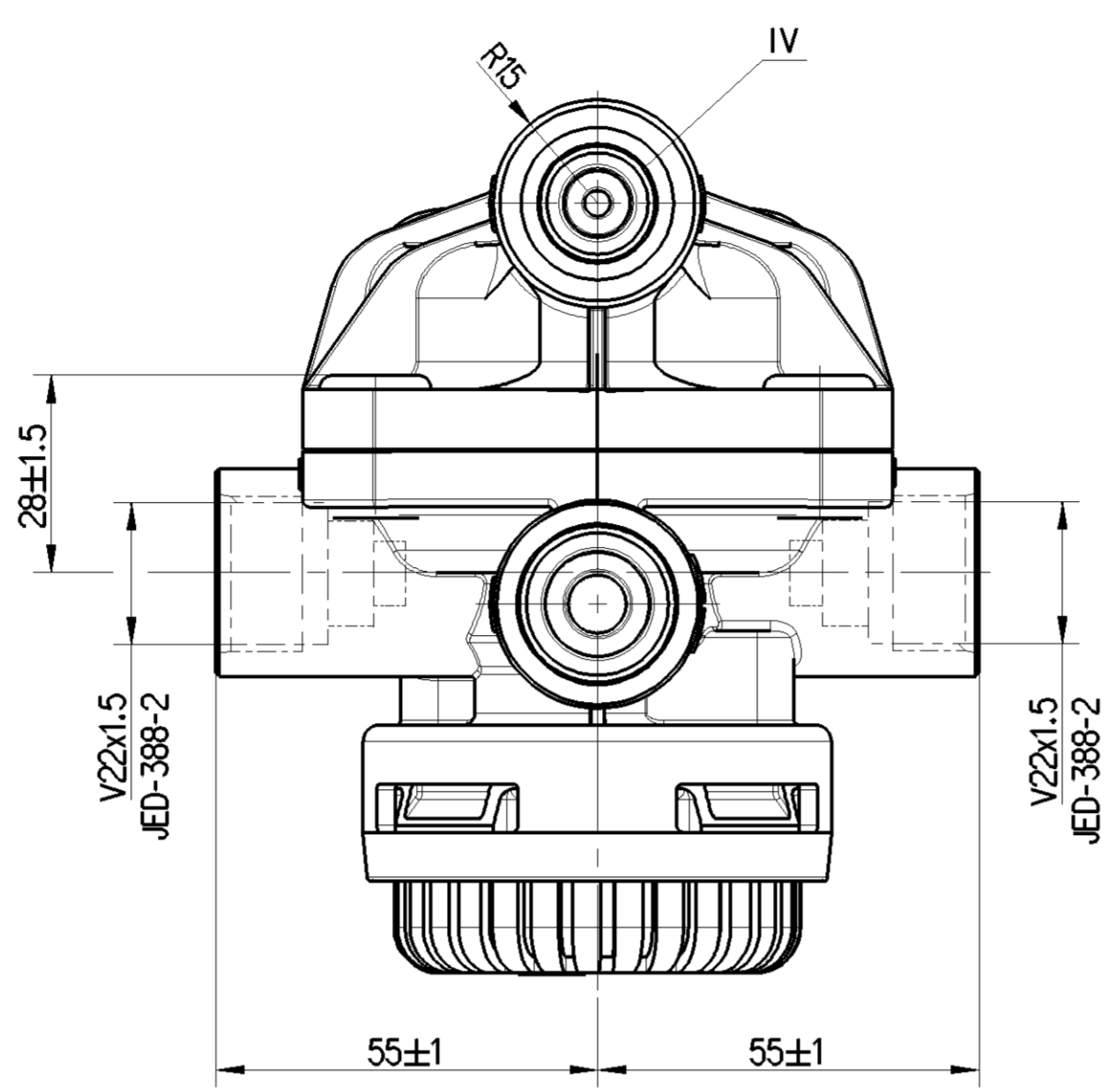
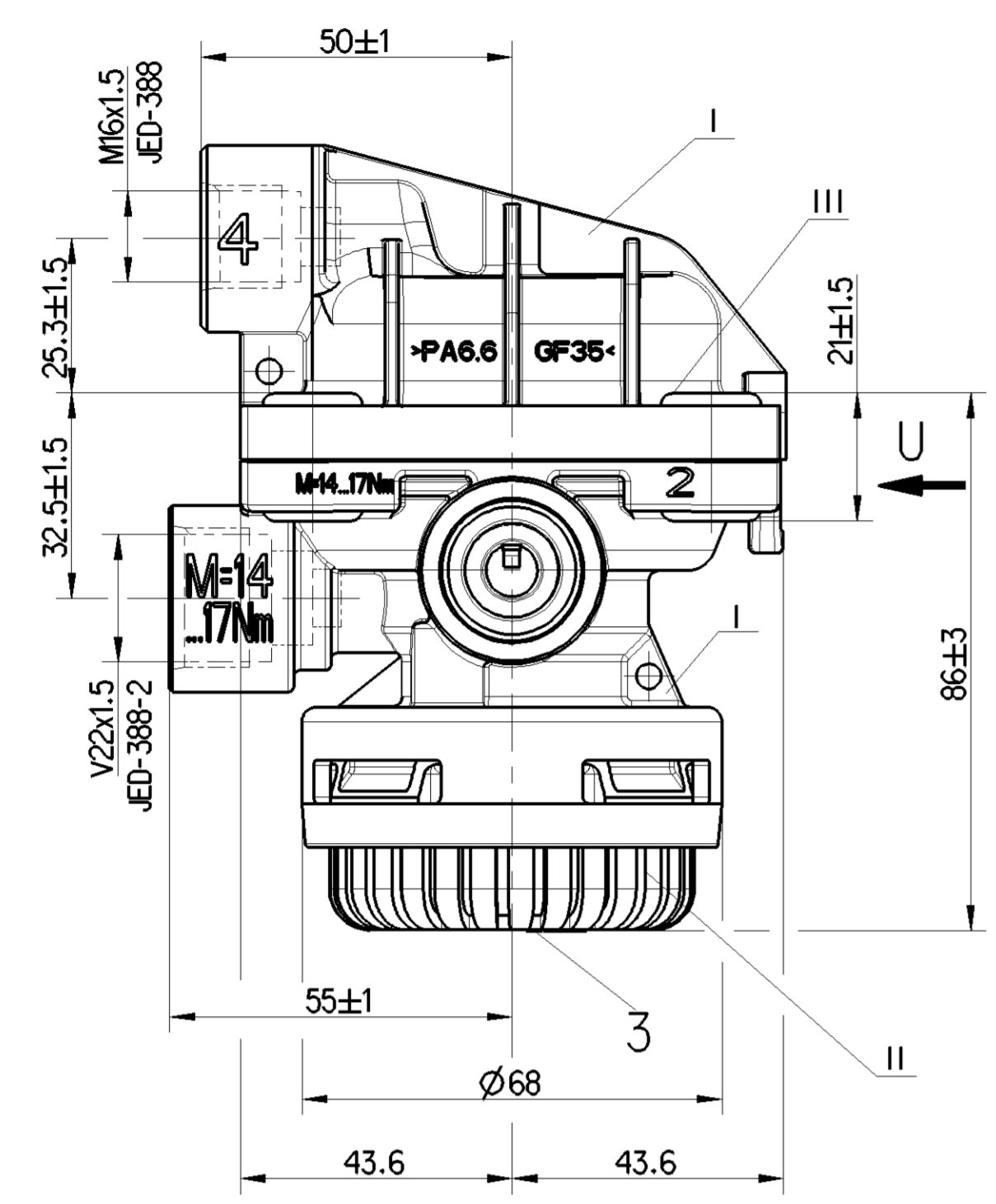
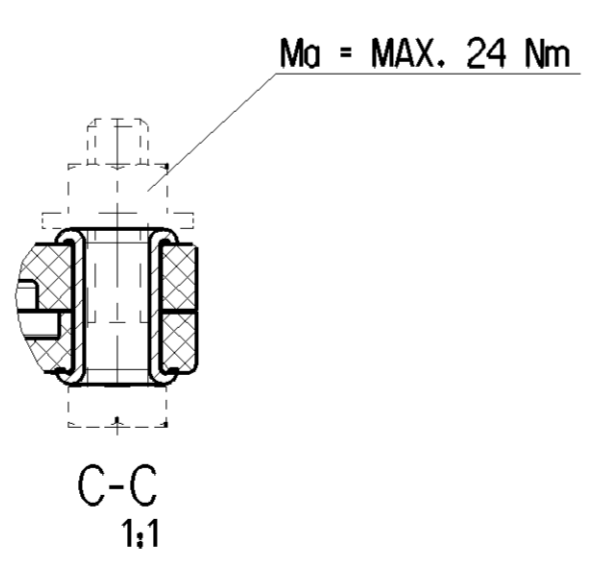


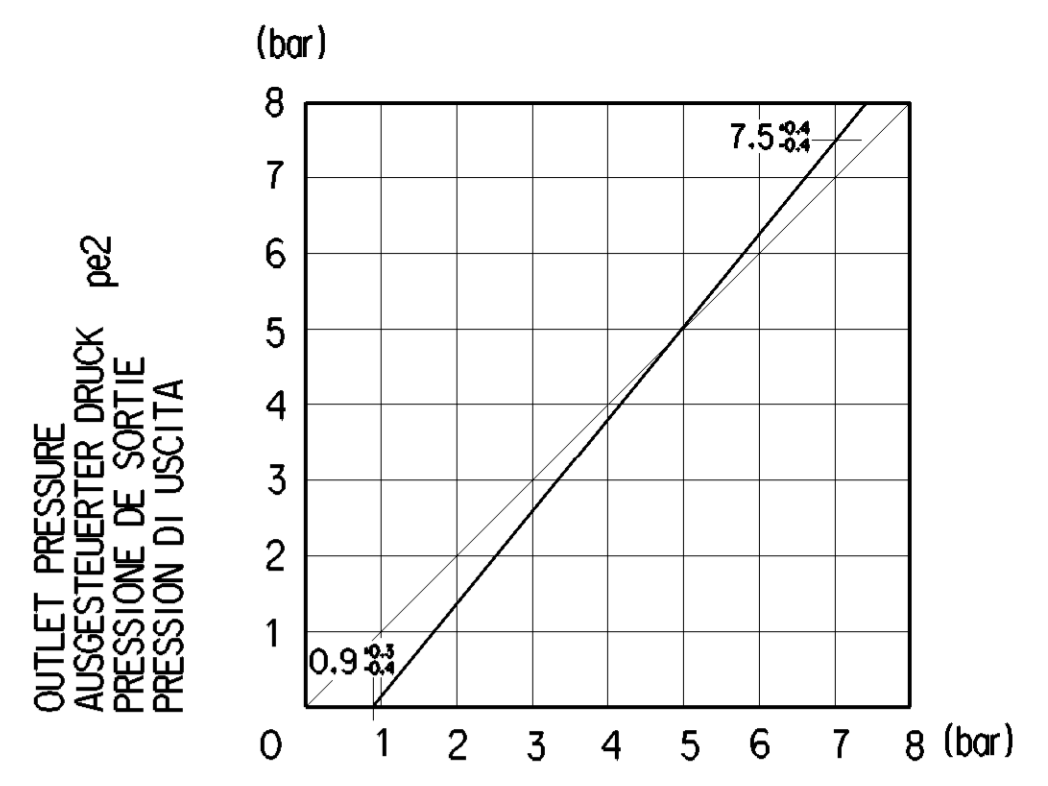
MATERIAL AND SURFACE PROTECTION	
I	JED-359-1/PA 6.6 GF 35%
II	JED-354-1/PA
III	JED-282-1/CuZn
IV	JED-035M/CuZn
V	JED-077-1/Al / JED-007-1



CONTOUR ON FASTENING
KONTUR FUER BEFESTIGUNG
PROFIL DE L' FIXATION
CONTORNO RICALCATO SDI FISSAGGIO



- 1 SUPPLY
VORRAT
ALIMENTATION
ALIMENTAZIONE
- 2 DELIVERY PRESSURE
AUSGESTEUERTER DRUCK
PRESSION DELIVREE
PRESSIONE EROGATA
- 3 EXHAUST
ENTLUEFTUNG
ECHAPPEMENT
SCARICO
- 4 CONTROL PRESSURE
STEUERDRUCK
PRESSION DE COMMANDE
PRESSIONE DI COMANDO



MEDIUM :AIR
MEDIUM :LUF
FLUIDE :AIR
FLUIDO :ARIA

NOMINAL DIAMETER :
NENNWEITE : 78mm²-Ø10
DIAMETRE NOMINAL :
DIAMETRO NOMINALE :

THERMAL RANGE OF APPLICATION :
THERMISCHER ANWENDUNGSBEREICH: -40°C...+80°C
GAMME D'APPLICATION THERMIQUE:
CAMPO TERMICO D'APPLICAZIONE :

MAX.PERMISSIBLE TORQUE:
MAX.ZULAESSIGES ANZUGSMOMENT:
MAXI.COUPLE DE SERRAGE ADMISSIBLE:
MAX.COPPIA DI SERRAGGIO AMMISSIBILE:

PORT 1;2:
ANSCHLUSS 1;2: 14...17 Nm
ORIFICE 1;2:
ORIFIZIO 1;2:

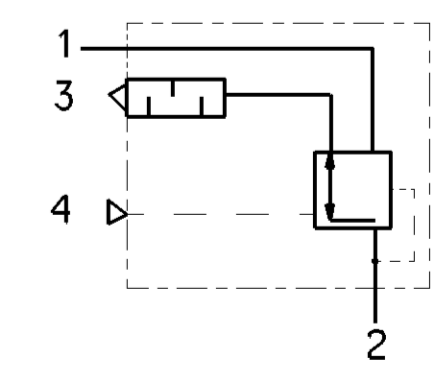
PORT 4
ANSCHLUSS 4 14...17 Nm
ORIFICE 4
ORIFIZIO 4

INSTALLATION POSITION: EXHAUST SHOWN AT BASE (AXIS CENTRE OF THE DEVICE DEVIATES MAX.90° FROM VERTICAL)
EINBAULAGE: ENTLUEFTUNG NACH UNTEN (MITTELACHSE DES GERAETES MAX. 90° VON DER SENKRECHTEN ABWEICHEND)
POSITION D'INSTALLATION: ECHAPPEMENT VERS LE BAS (ECART DE L'AXE MEDIAN DE L'APPAREIL PAR RAPPORT A LA VERTICALE: 90° MAX.)
POSIZIONE DI MONTAGGIO: SCARICO VERSO IL BASSO (DEVIAZIONE ASSE APPARECCHIO RISPETTO ALLA VERTICALE: MAX.90°)

WORKING PRESSURE :
BETRIEBSDRUCK : pe = MAX.8.5 bar (TEMPORARILY / KURZZEITIG pe = MAX.11 bar)
PRESSION D'UTILISATION:
PRESSIONE DI ESERCIZIO: (DE COURTE DUREE / BREVE TEMPO SOLO)

TENSION FREE MOUNTING OF THE LINES
SPANNUNGSFREIE MONTAGE DER LEITUNGEN
MONTAGE DES CONDUITES EXEMPT DE TENSION
FISSAGGIO DEI CONDOTTI SENZA TENSIONE

- MANUFACTURING PLANT :
PRODUKTIONSSTAETTE : JED-225
LIEU DE FABRICATION :
LUOGO DI FABBRICAZIONE :
- WEEK / YEAR OF MANUFACTURE
FERTIGUNGSWOCHE / -JAHR
SEMAINE / ANNEE DE FABRICATION
SETTIMANA / ANNO DELLA FABBRICAZIONE
- PROVIA-DEVICE NUMBER
PROVIA-GERAETE NUMBER
PROVIA-NUMERO D'APPAREIL
PROVIA-NUMERO CODICE DELL APPARECCHIO
- CUSTOMER NO. / ZGS
KUNDEN-NR. KZ / ZGS
NO CLIENT / ZGS
NO CLIENTE / ZGS



General Specification: JED-354-1 - Size ISO 14405 LP		Copyright WABCO®		Date: _____		Signature: _____	
Further Technical Data: PRO 011 003 0		Doc. Code: 035		Sheet: 1 To 5		Date: 2018-09-20	
General Tolerances JED-261		Class		Tolerance		Date: 2018-09-21	
Range of Nominal Dimensions (± mm)		Fine		Medium		Coarse	
		0.5		1.0		2.0	
		1.0		2.0		3.0	
		1.5		3.0		4.0	
		2.0		4.0		6.5	
		2.0		3.5		5.0	
		3.0		5.0		6.5	
		4.0		6.5			
		6.5					
Tapped Holes acc.		1)		Tolerance Class Applied		Crossmarked	
Mass		Scale		Material No.		Date of first issue: 2016-03-16	
0.375		1:1		PRO 011 003 0		Doc.Code: 005 ML 1/1	
Size		CAD System		ECHO-No.		Revision	
A 1		CREO		177205		1 A 5220_AM	

Non è permesso copiare o riprodurre questo documento, né utilizzare il contenuto a fini commerciali o di lucro.
 Toute réimpression ou reproduction de ce document, toute exploitation ou communication de son contenu sont interdites, sauf autorisation écrite de la Provia.
 This document and its contents are the property of Provia. All rights reserved. No part of this document may be reproduced or transmitted in any form or by any means, electronic or mechanical, including photocopying, recording, or by any information storage and retrieval system, without the prior written permission of Provia.
 Alle Rechte für den Fall der Reproduktion oder elektronischer Übertragung vorbehalten.
 All rights reserved. No part of this document may be reproduced or transmitted in any form or by any means, electronic or mechanical, including photocopying, recording, or by any information storage and retrieval system, without the prior written permission of Provia.