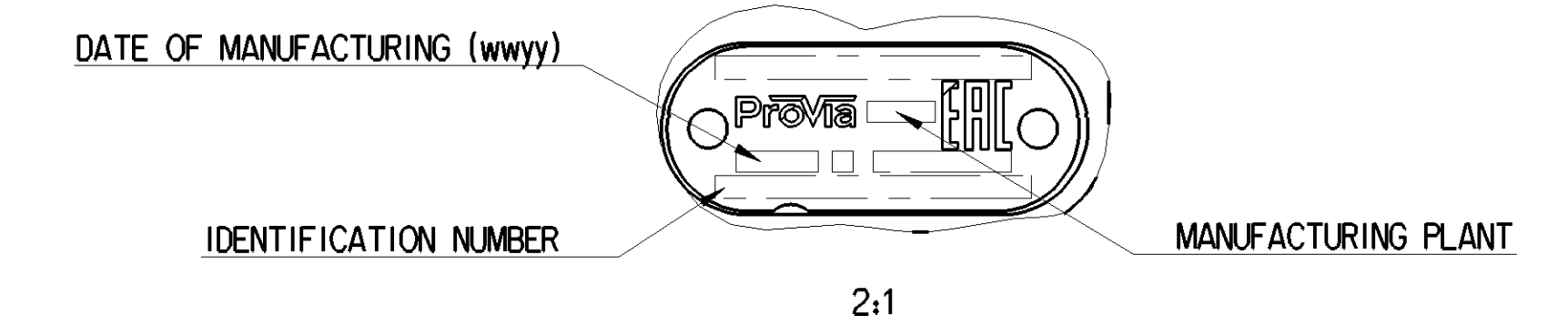
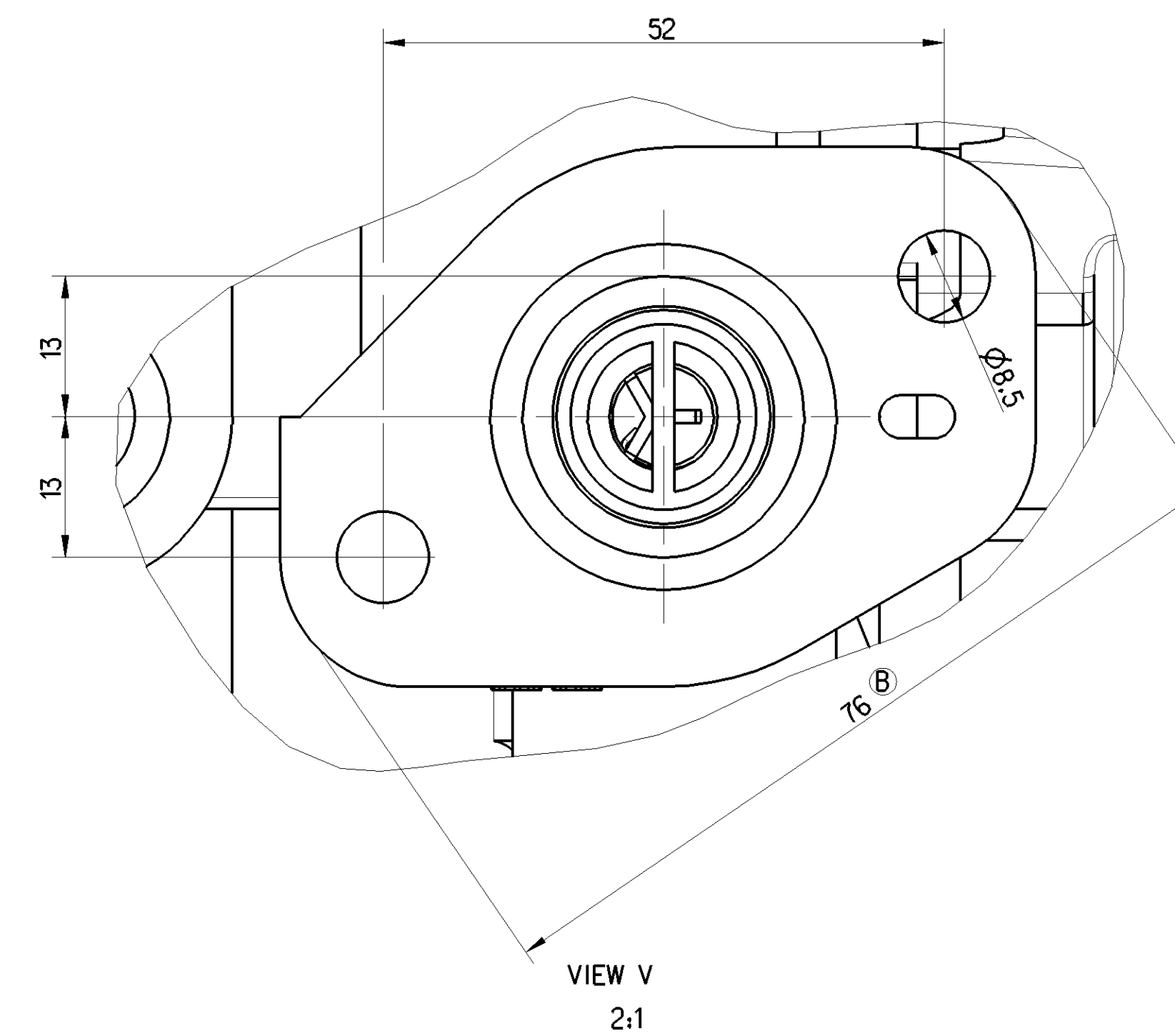
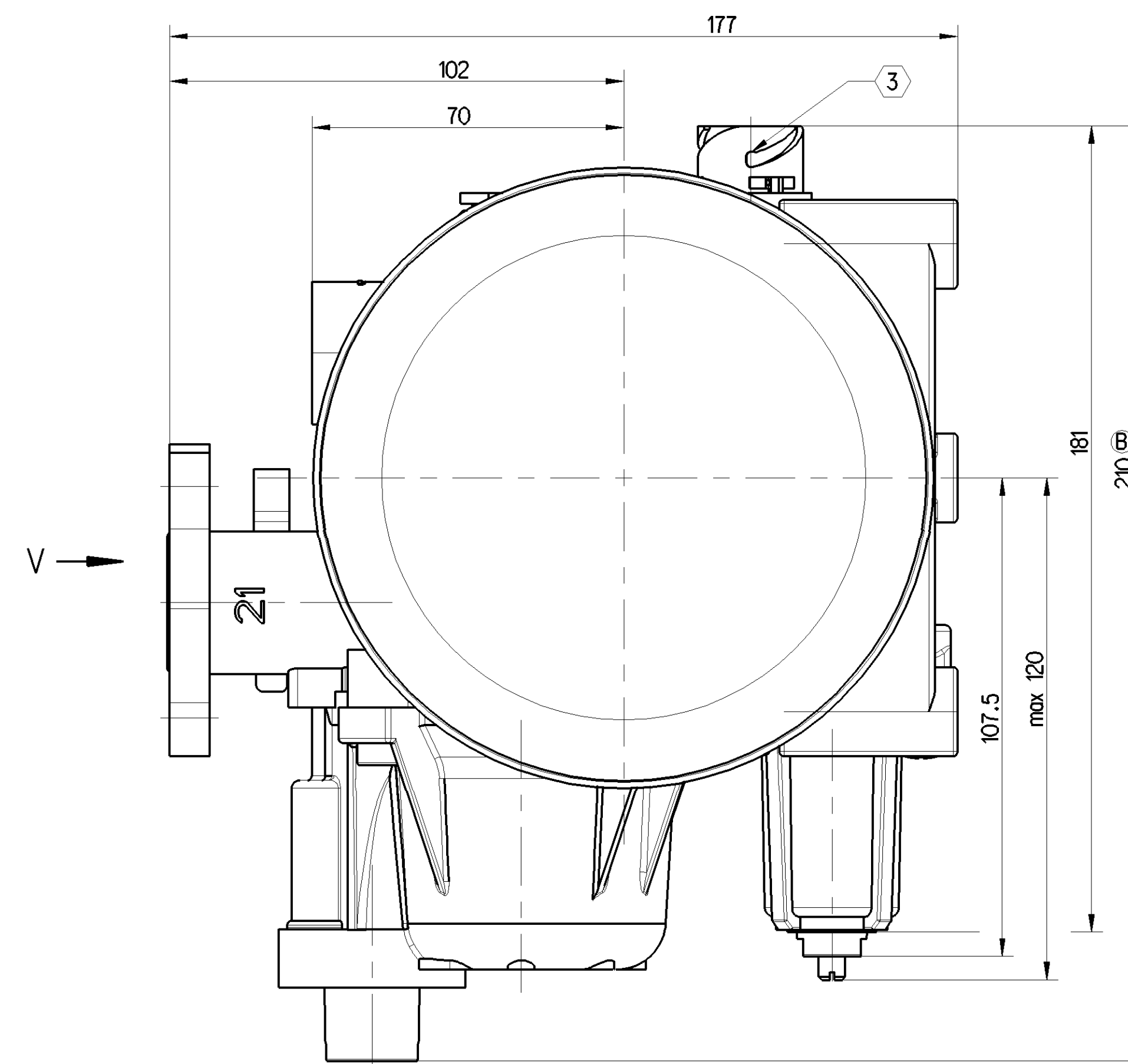
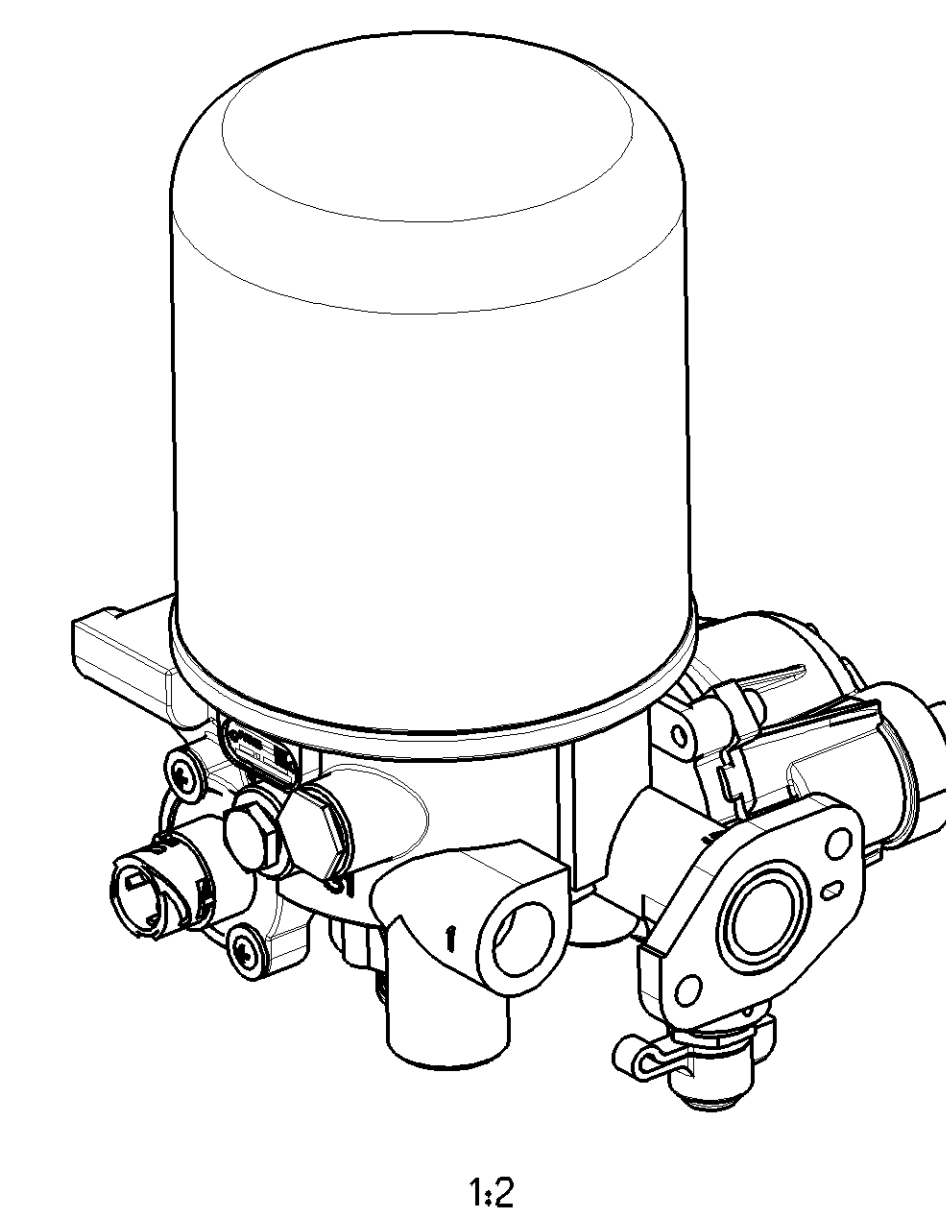
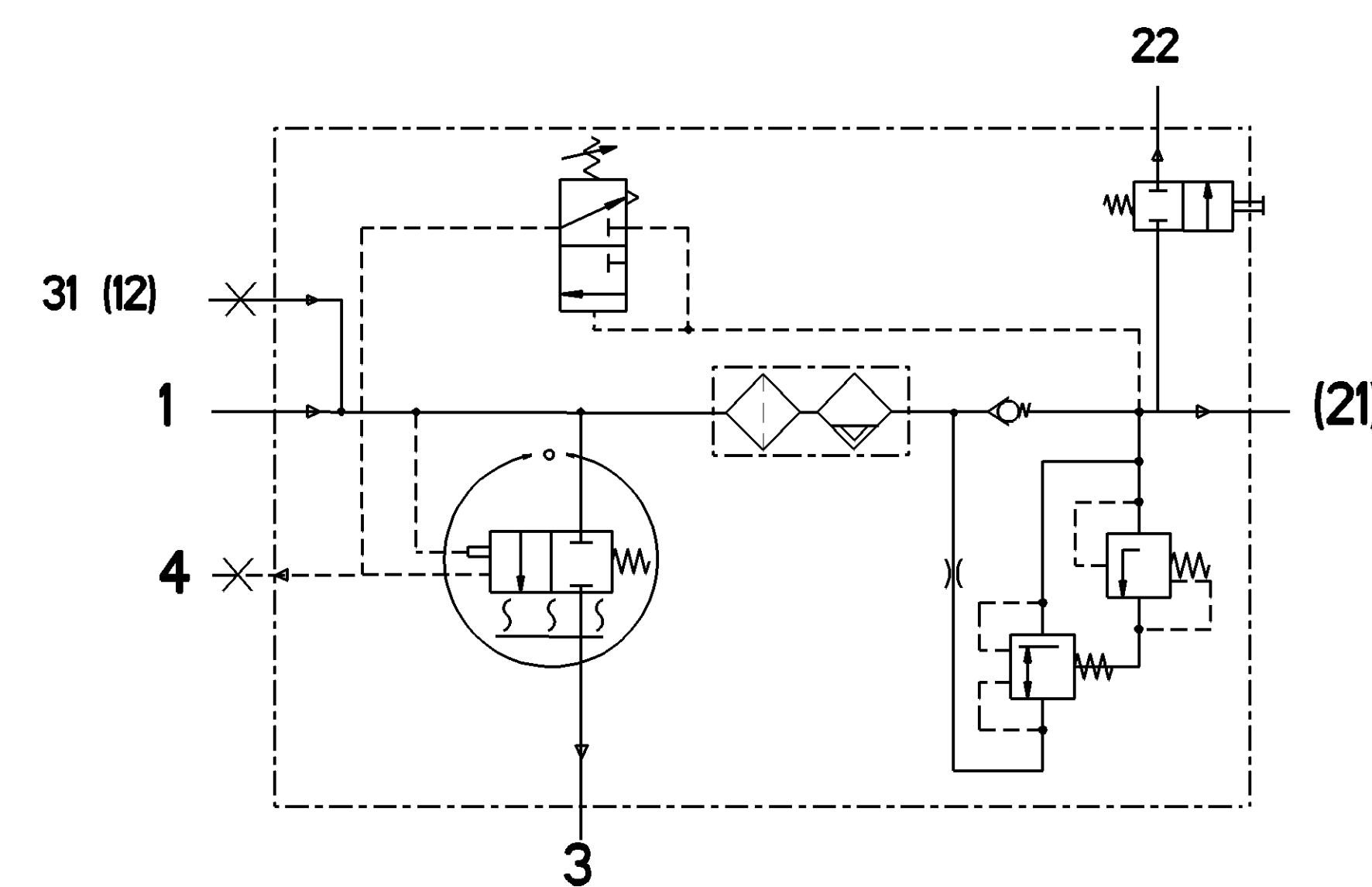


PORT	FUNCTION	THREAD
1	FROM THE COMPRESSOR	M22x1.5
31 (12)	EXTERNAL FILLING - CLOSED	M16x1.5
21	TO THE RESERVOIRS	M22x1.5
22	TIRE INFLATION DEVICE - CLOSED	-
3	EXHAUST FOR COMPRESSED AIR	-
4	TO THE COMPRESSOR - CLOSED	M12x1.5
6	HEATER PLUG	③



TECHNICAL DATA

COMBINED UNLOADER:	
OUT OUT PRESSURE:	9,3±0,2 BAR
OPERATING RANGE:	0R+1,1±0,4 BAR
DYNAMIC PRESSURE OF THE SAFETY VALVE:	14,5 ₀ ^{+1,5} bar (AT V _n = 100 dm ³ /min) B
BACK FLOW LIMITING VALVE:	(0,5 × OR) ± 0,1 bar B
TORQUES FOR CONNECTIONS:	M12x1,5: Mmax = 21 Nm
	M16x1,5: Mmax = 34 Nm
	M22x1,5: Mmax = 53 Nm
THERMAL RANGE OF CONTINUOUS APPLICATION:	-20°C ... +65°C
RESISTANCE TO HEAT:	+75°C MAX
MEDIUM:	COMPRESSED AIR
WORKING PRESSURE:	Pe max = 13 bar
MAX. PERMISSIBLE FREQUENCY:	50 Hz
MAX. PERMISSIBLE ACCELERATION:	±10 g
HEATING:	
HEATING OUT-IN TEMPERATURE:	7±6 °C
HEATING OUT-OUT TEMPERATURE:	29,5±3,0 °C
BATTERY VOLTAGE:	24,0 ^{+4,8} _{-2,4} V DC
POWER WITHOUT CURRENT:	100 W



- ① INSTALLATION POSITION
- ② MOUNTING HEIGHT
- ③ CONNECTOR STECKVERBINDER ISO 15170-A1-2.1-1-Su/K2

General Specification: JED-334-1, Size ISO 14405 LP	Copyright: 2020-12-03	Prövia
Further Technical Data: PRO 122 140 0	Doc. Code: 035	System: AIR DRYER
Class: 1	Size: 5,2	Material No.: 005 EN 1/1
File: 0,5	1,0	1,5
Medium: X	2,0	3,0
Course: 2,0	3,5	5,0
Tapped Holes acc. to ISO 15170-A1-2.1-1-Su/K2		
A 0	CREO	SOSTIV 9 x B 5050 AM