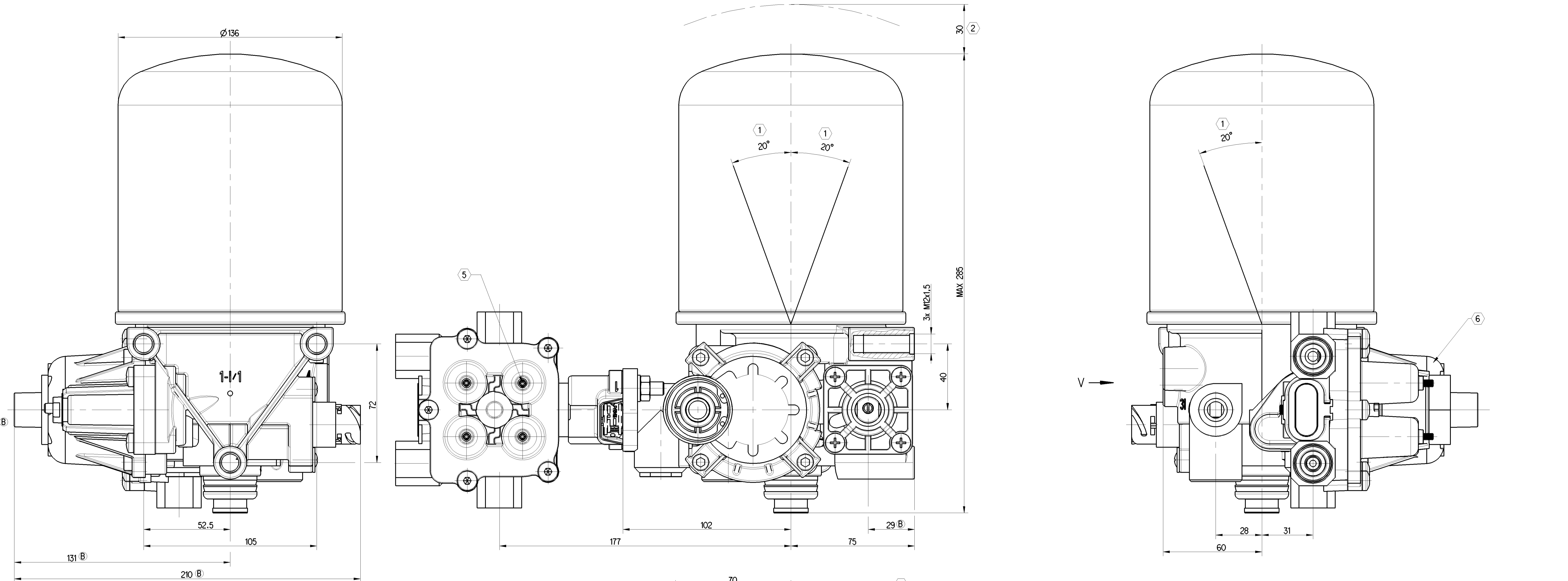


QUAD VALVE

PORT	FUNCTION	THREAD
(1)	SUPPLY	
21	CIRCUIT 1	M22x1.5 JED-388
22	CIRCUIT 2	M22x1.5 JED-388
23	CIRCUIT 3	M22x1.5 JED-388
24	CIRCUIT 4	M22x1.5 JED-388

AIR DRYER

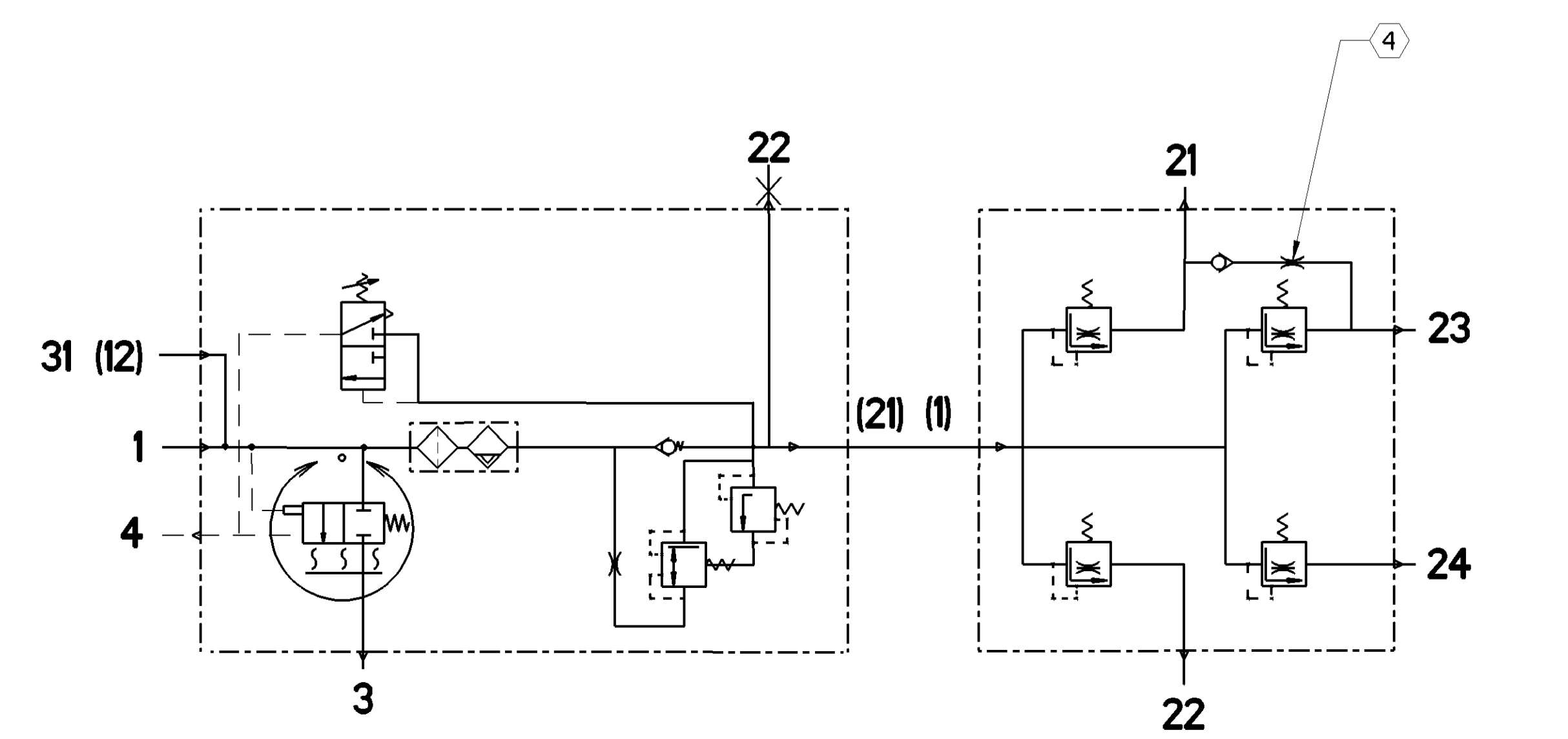
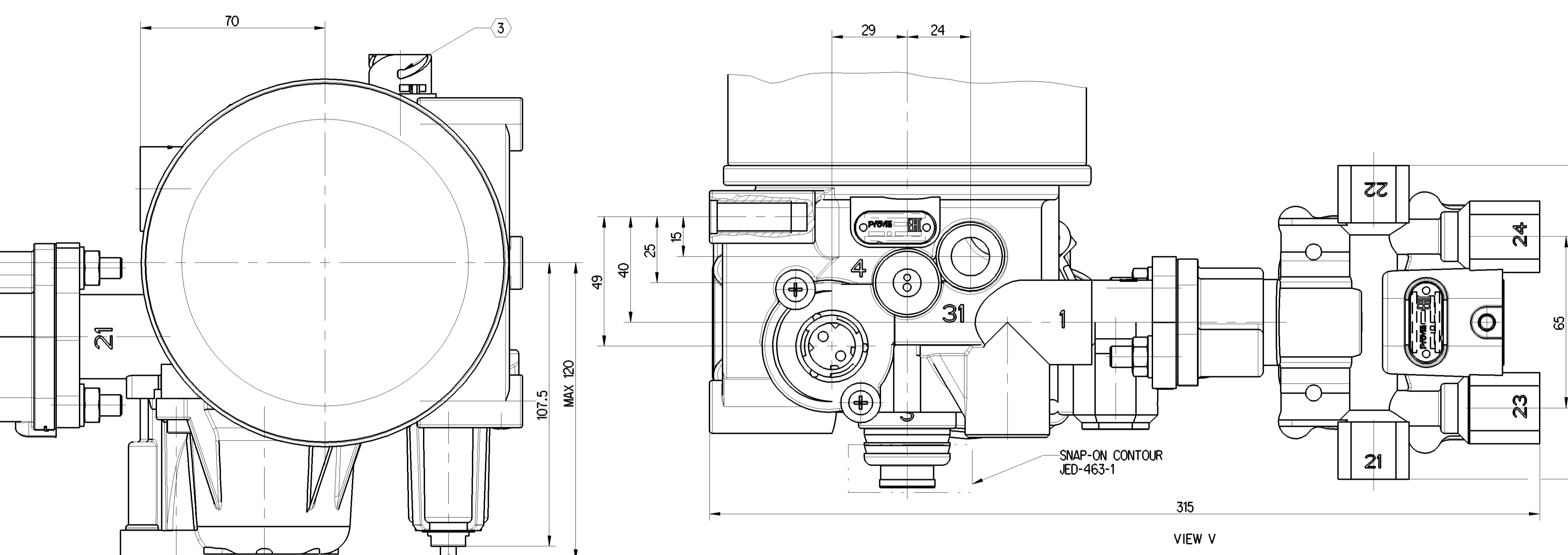
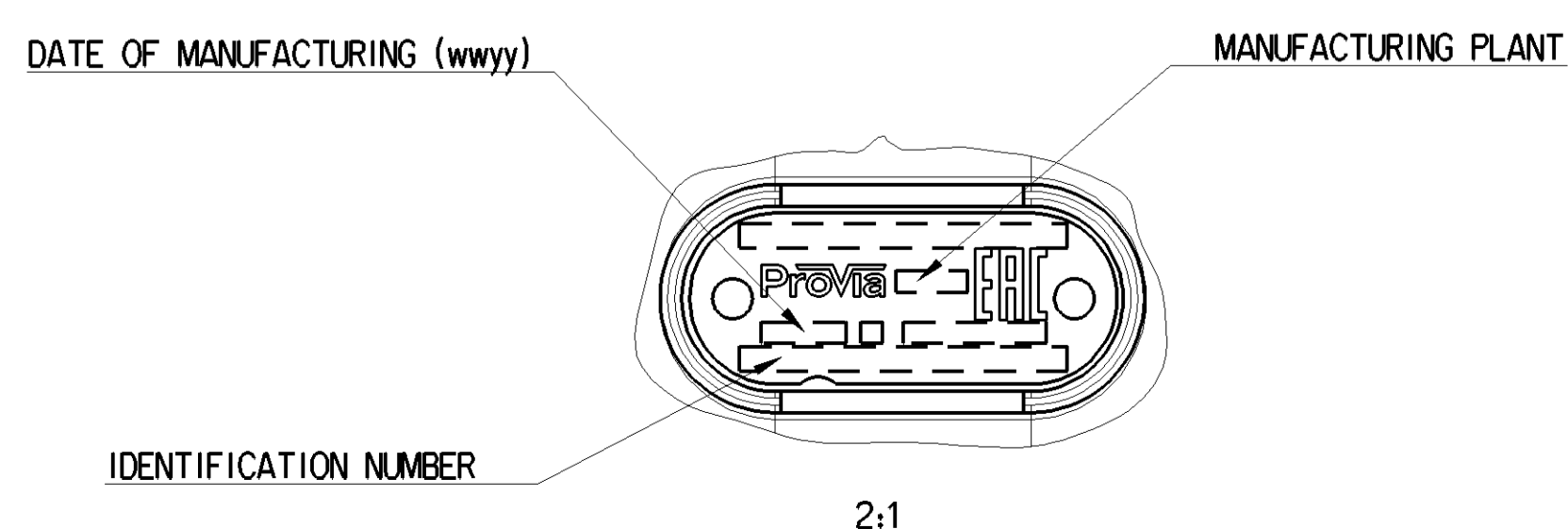
PORT	FUNCTION	THREAD
1	FROM THE COMPRESSOR	M22x1.5
31 (12)	EXTERNAL FILLING	M16x1.5
21	TO THE RESERVOIRS	M22x1.5
22	TIRE INFLATION DEVICE - CLOSED	M16x1.5 JED-388
3	EXHAUST FOR COMPRESSED AIR	-
4	TO THE COMPRESSOR	M12x1.5
6	HEATER PLUG	(3)



QUAD-VALVE		PRO 122 016 0			
PORTS		21	22	23	24
OPENING PRESSURE DYNAMIC	BAR	6.5 ⁰ _{-0.3}	6.5 ⁰ _{-0.3}	7.5 ⁰ _{-0.5} ^B	6.5 ⁰ _{-0.3}
CLOSING PRESSURE DYNAMIC	BAR	=>6.0			
CLOSING PRESSURE STATIC AT FAILURE OF CIRCUIT	BAR	0	=>5.0	(4)	=>5.0
		=>5.0	0	=>5.0	=>5.0
		=>5.0	=>5.0	0	=>5.0
		=>5.0	=>5.0	=>5.0	0

TECHNICAL DATA

COMBINED UNLOADER:	
CUT OUT PRESSURE:	9.3±0.2 BAR
OPERATING RANGE:	OR-1.1±0.4 BAR
DYNAMIC PRESSURE OF THE SAFETY VALVE:	14.5 ^{+4.5} ₀ bar (AT V _n = 100 dm ³ /min) ^B
BACK FLOW LIMITING VALVE:	(0.5 x OR) ± 0.1 bar ^B
TORQUES FOR CONNECTIONS:	M22x1.5: Mmax = 21 Nm
	M16x1.5: Mmax = 34 Nm
	M22x1.5: Mmax = 53 Nm
THERMAL RANGE OF CONTINUOUS APPLICATION:	-20°C ... +65°C
RESISTANCE TO HEAT:	+75°C MAX
MEDIUM:	COMPRESSED AIR
WORKING PRESSURE:	P _e max = 13 bar
MAX. PERMISSIBLE FREQUENCY:	50 Hz
MAX. PERMISSIBLE ACCELERATION:	±10 g
HEATING:	
HEATING CUT-IN TEMPERATURE:	7±6 °C
HEATING CUT-OFF TEMPERATURE:	29.5±3.0 °C
BATTERY VOLTAGE:	24.0 ^{+4.8} _{-2.4} V DC
POWER WITHOUT CURRENT:	100 W



- ① INSTALLATION POSITION
- ② MOUNTING HEIGHT
- ③ CONNECTOR STECKVERBINDER ISO 15170-A1-2.1-1-Sv/K2
- ④ FLOW RATE = 16-35 l/min AT P23 = 8, P21 = 0 bar WHEN P21 DROPS TO ZERO RETAINED P23 = 1 bar MAX
- ⑤ ADJUSTING SCREWS SECURED AGAINST TAMPERING WITH LOCTITE AFTER TEST
- ⑥ BACK FLOW LIMITING VALVE

General Specifications: JED-388-1, Size ISO 14105 LP	Copyright: PROVA	Prövia
Further Technical Data: PRO 122 016 0	Doc. Code: 026	2020-11-29
Class: 1	Size: 6.2	PRO 122 016 0
Flow: 0.5, 1.0, 1.5, 2.0	Size: 1.0, 2.0, 3.0, 4.0, 5.0, 6.5	005 EN 1/1
Medium: X	Size: 2.0, 3.5, 5.0, 6.5	2020-12-01
Course: X	Size: 2.0, 3.5, 5.0, 6.5	2020-12-01
Tapped Holes acc.:	Size: 2.0, 3.5, 5.0, 6.5	2020-12-01
Tolerance: Size: Appoint. (DIN 9137)	Size: 2.0, 3.5, 5.0, 6.5	2020-12-01