

**TECHNICAL DATA:**

THERMAL RANGE OF CONTINUOUS APPLICATION:	-20°C .... +65°C
RESISTANCE TO HEAT:	MAX +75°C
MEDIUM:	COMPRESSED AIR
WORKING PRESSURE:	$p_{max} = 10 \text{ bar}$
MAX. PERMISSIBLE FREQUENCY:	50 Hz
MAX. PERMISSIBLE ACCELERATION:	$\pm 10 \text{ g}$

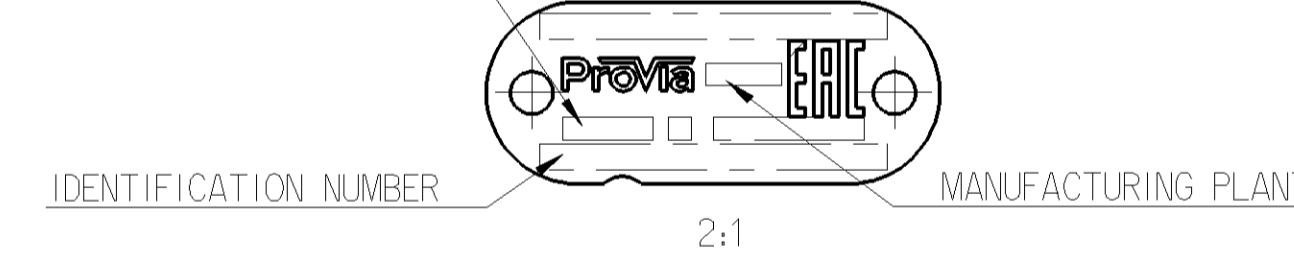
**COMBINED UNLOADER:**

CUT OUT PRESSURE:	$8.5 \pm 0.2 \text{ bar}$
OPERATING RANGE:	$1.1 \pm 0.4 \text{ bar}$ (B)
DYNAMIC PRESSURE OF THE SAFETY VALVE:	$14.5 \text{ }_0^{+4.5} \text{ bar}$ (AT $V_n = 100 \text{ dm}^3/\text{min}$ ) (B)

**HEATING:**

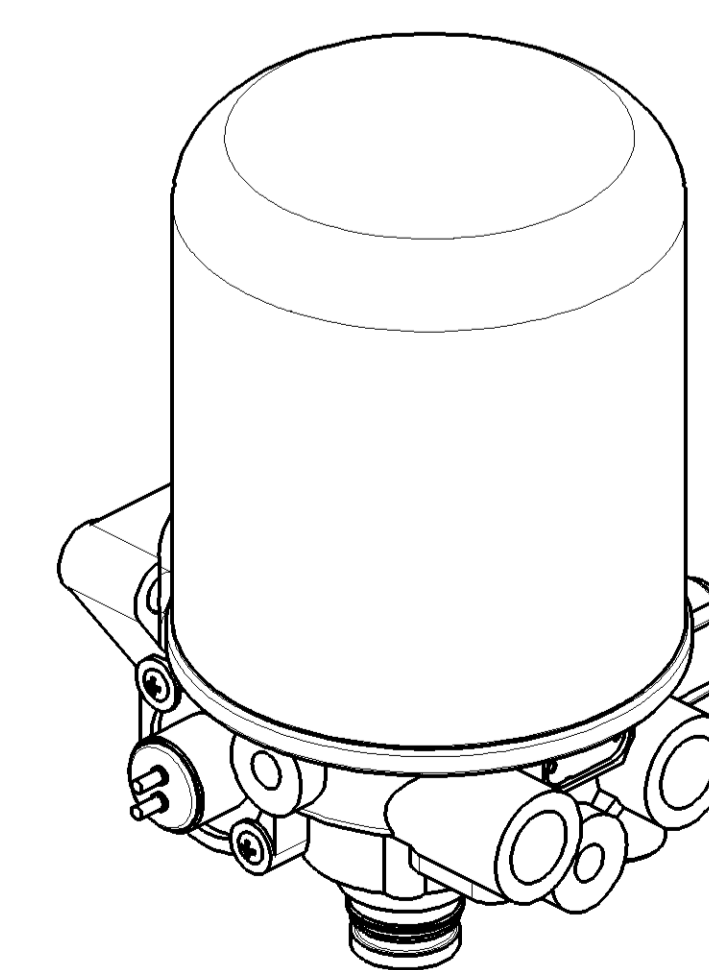
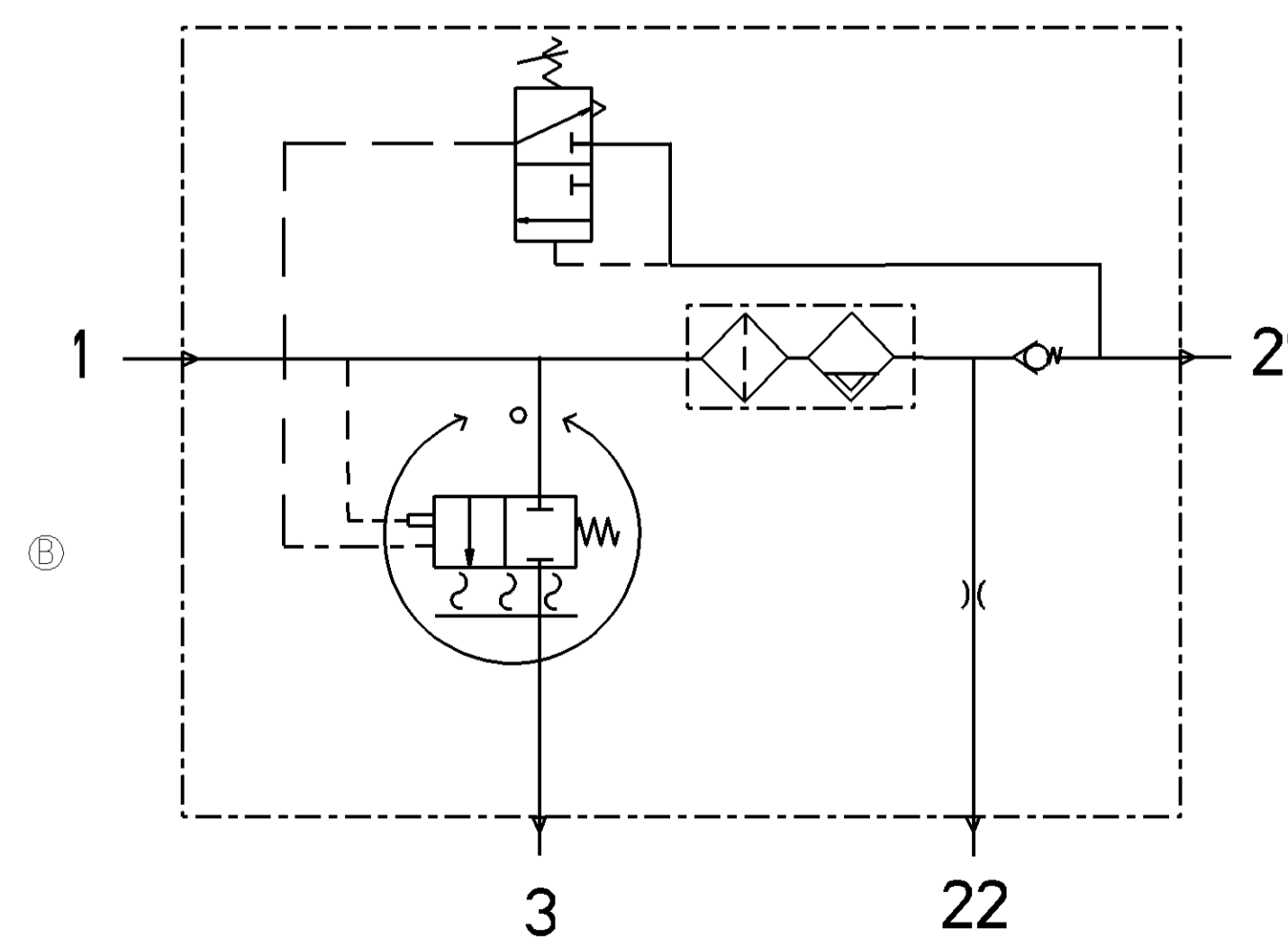
CUT-IN TEMPERATURE:	$7^\circ \pm 6^\circ \text{C}$
CUT-OFF TEMPERATURE:	$29.5^\circ \pm 3.0^\circ \text{C}$
BATTERY VOLTAGE:	$24.0 \text{ }_{-2.4}^{+4.8} \text{ V DC}$
NOMINAL POWER:	100 W

DATE OF MANUFACTURE (WYYY)



PORT	FUNCTION	THREAT
1	FROM THE COMPRESSOR	M22x1.5
21	TO THE RESERVOIRS	M22x1.5 JED-388
22	TO THE RESERVOIRS FOR REGENERATION AIR	M16x1.5 JED-388
3	EXHAUST FOR COMPRESSED AIR	-
6	HEATER PLUG	M27x1

- (1) INSTALLATION POSITION
- (2) MOUNTING HEIGHT
- (3) TORQUES FOR CONNECTIONS: M16x1.5:  $M_{max} = 34 \text{ Nm}$   
M22x1.5:  $M_{max} = 53 \text{ Nm}$



General Specification: JED-334-1, Size ISO 14405 LP		Copyright 2020		<b>ProVia</b>	
Further Technical Data: PRO 122 021 0		Doc. Code: 035	Sheet: 1 To 3	AIR DRYER	
Range of Nominal Dimensions (mm)		Class		Date of first issue: 2020-09-03	
Class	1	2	3	4	5
1	2	3	4	5	6
2	3	4	5	6	7
3	4	5	6	7	8
4	5	6	7	8	9
5	6	7	8	9	10
6	7	8	9	10	11
7	8	9	10	11	12
8	9	10	11	12	13
9	10	11	12	13	14
10	11	12	13	14	15
11	12	13	14	15	16
12	13	14	15	16	17
13	14	15	16	17	18
14	15	16	17	18	19
15	16	17	18	19	20
16	17	18	19	20	21
17	18	19	20	21	22
18	19	20	21	22	23
19	20	21	22	23	24