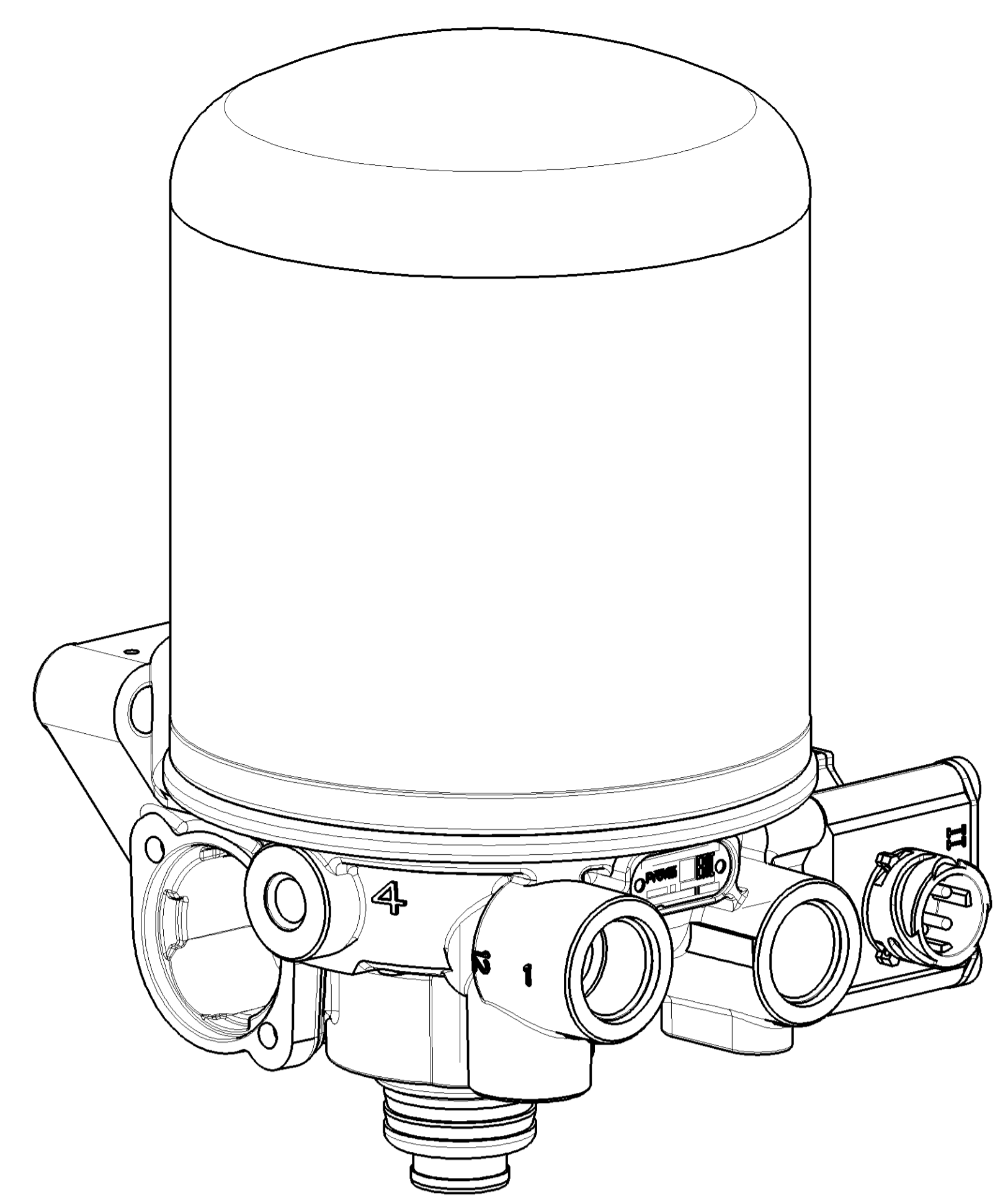
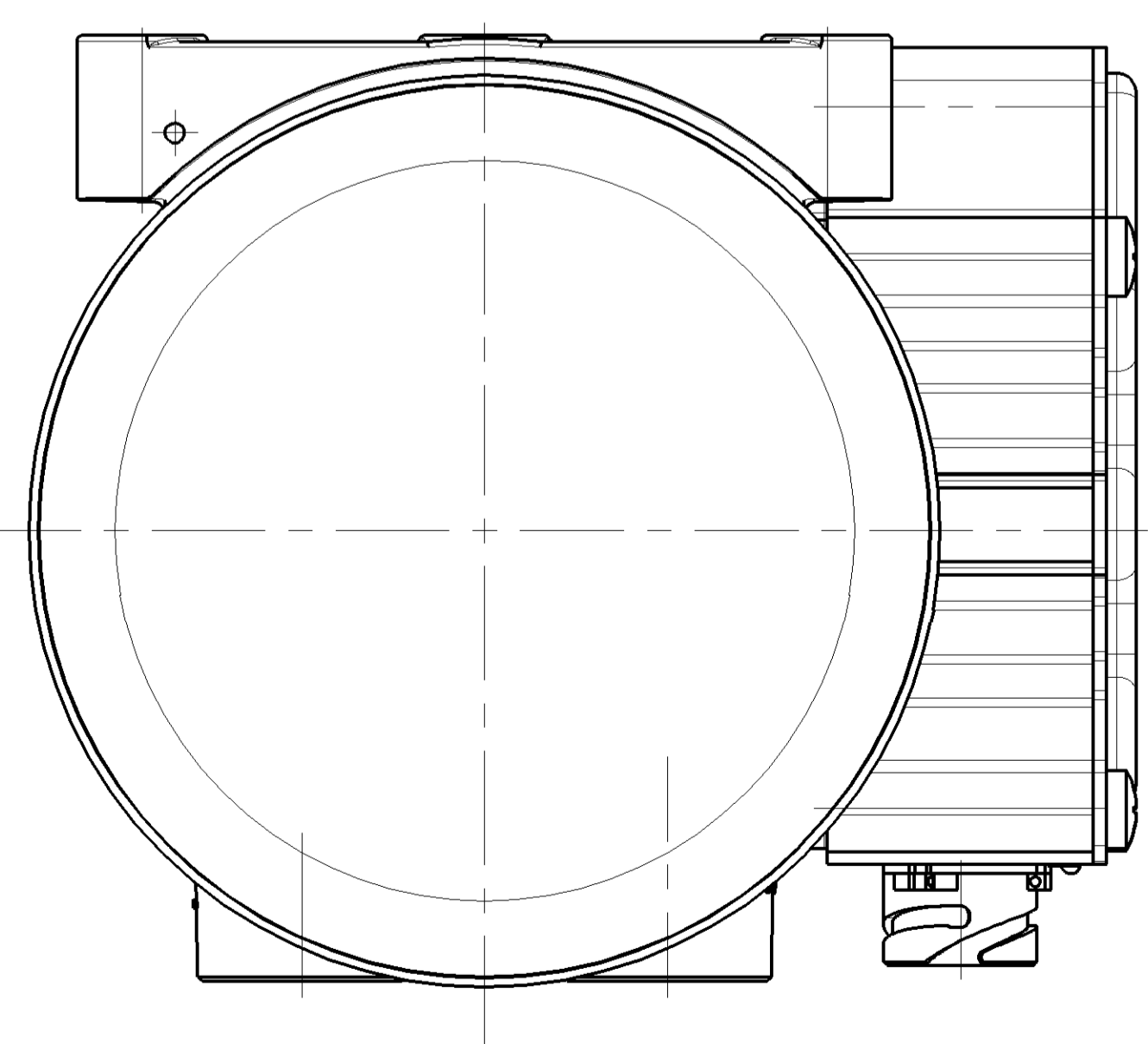
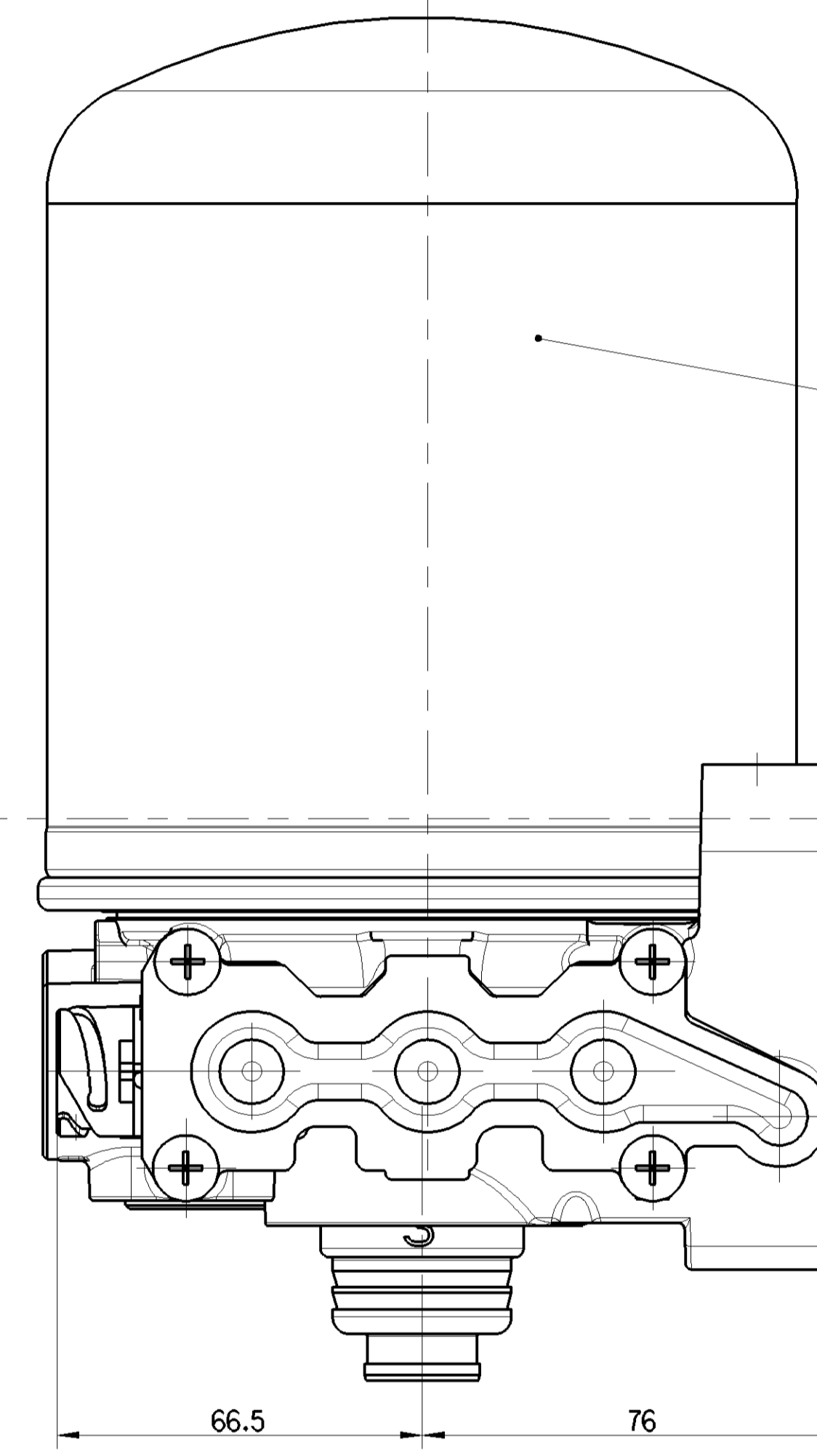
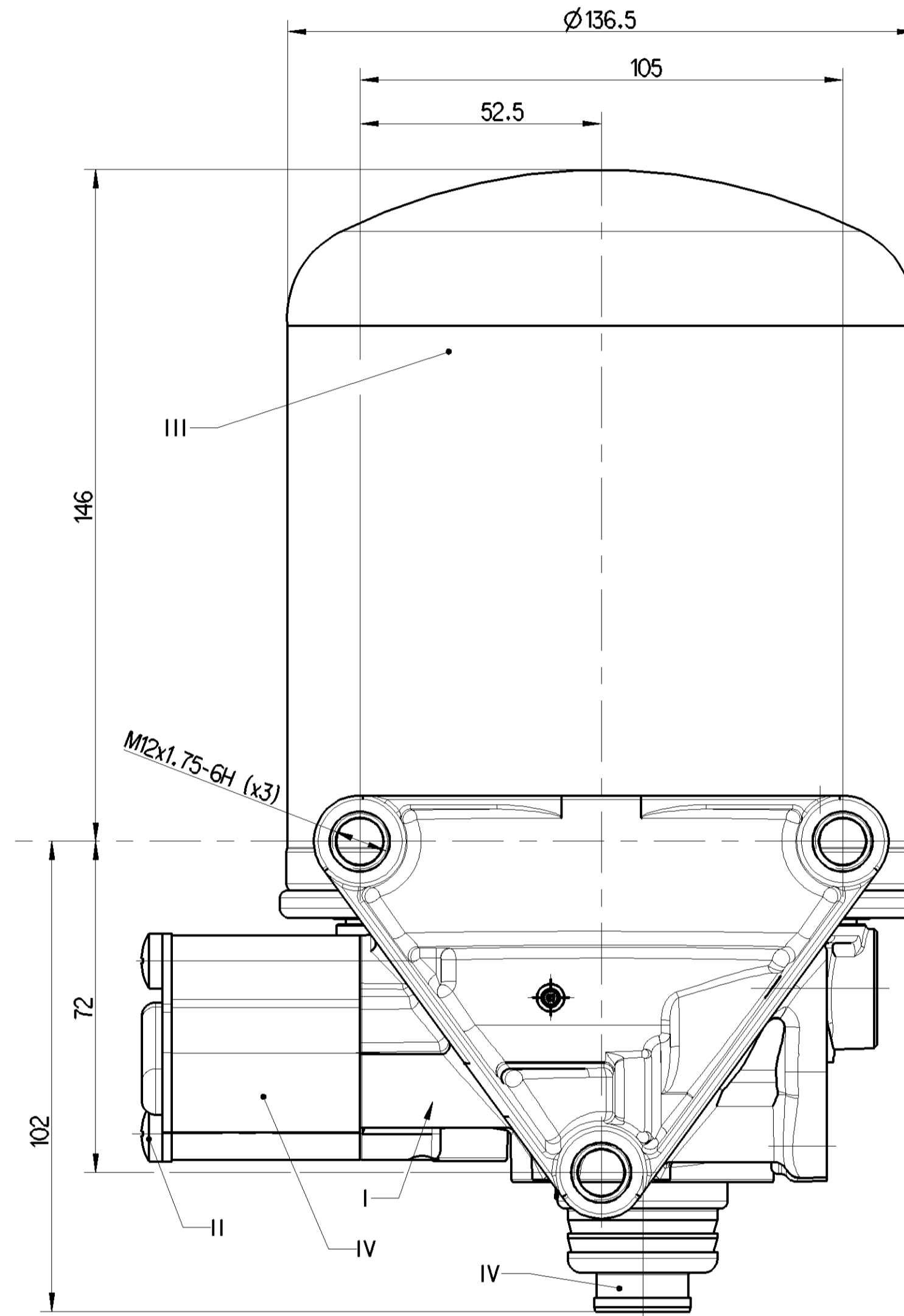
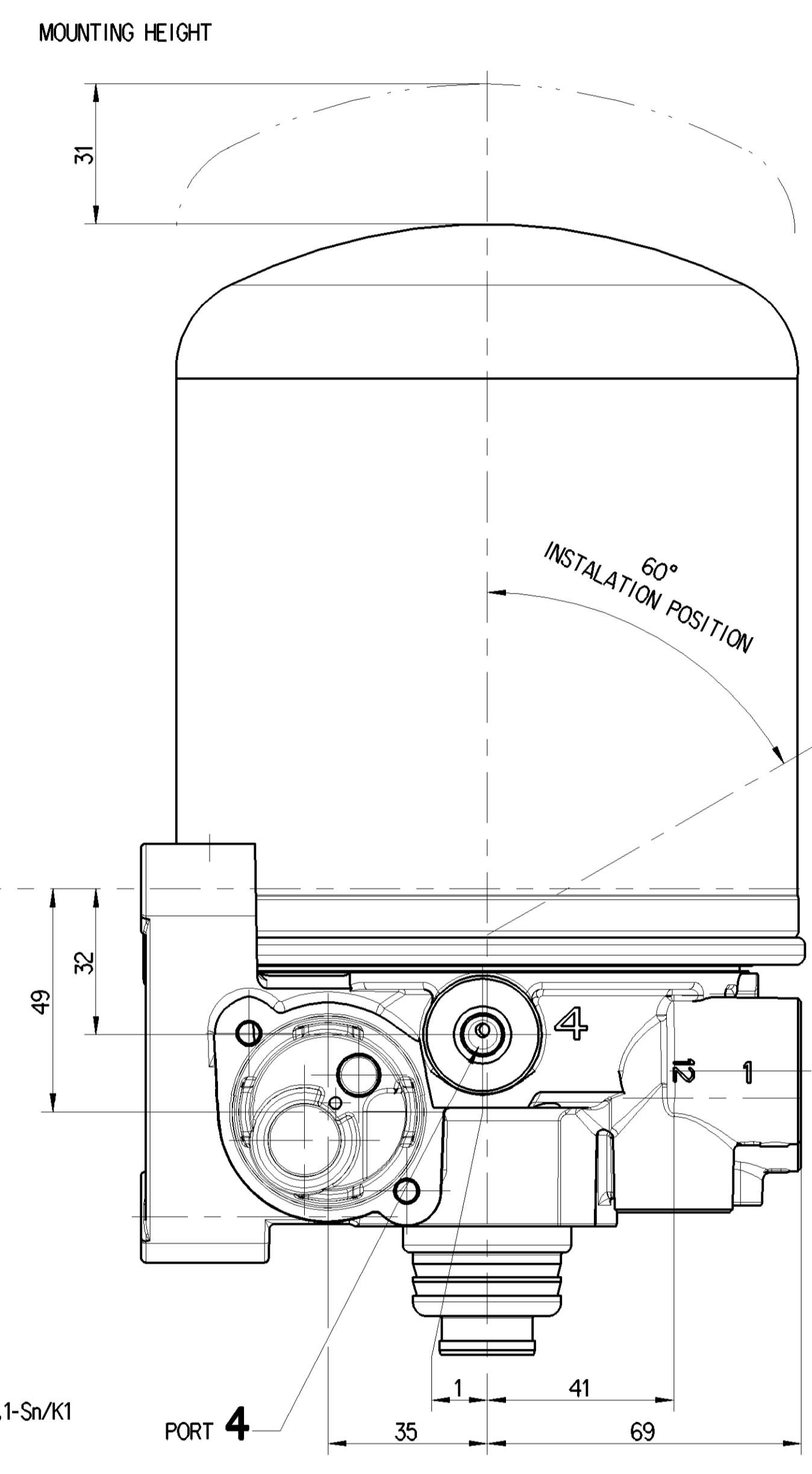
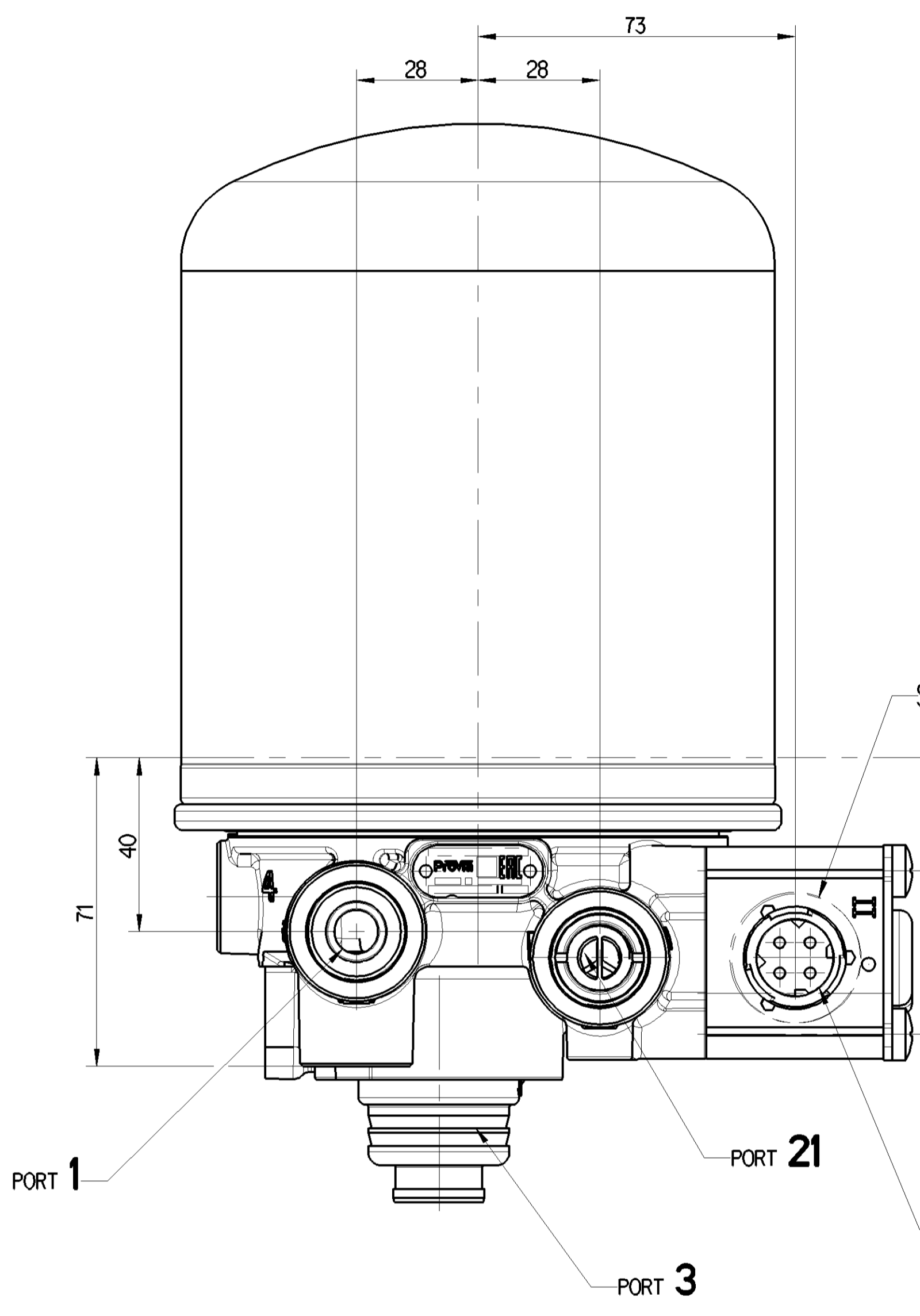


EXTERNAL SURFACE ÄUSSERE OBERFLÄCHE SURFACE EXTERIEURE SUPERFICIE ESTERNA	
I	JED-259-3
II	JED-256
III	JED-471 : WHITE ALUMINIUM
IV	PLASTIC/KUNSTSTOFF



DESICCANT CARTRIDGE
PRO 124 711 2
M-15
0 Nm
-2



THERMAL RANGE OF CONTINUOUS APPLICATION:
THERMISCHER DAUERANWENDUNGSBEREICH:
PLAGE DE TEMPERATURE EN UTILISATION CONTINUE:
COMPO DI APPLICAZIONE CONTINUA: -40 °C...+65 °C

RESISTANCE TO HEAT:
WAERMEBESTAENDIGKEIT:
RESISTANCE A LA CHALEUR:
RESISTANZA AL CALORE: +80 °C MAXIMUM

MEDIUM: COMPRESSED AIR
MEDIUM: DRUCKLUFT
FLUIDE: AIR COMPRIME
FLUIDO: ARIA COMPRESSA

WORKING PRESSURE:
BETRIEBSDRUCK:
PRESSION DE SERVICE:
PRESSIONE D' ESERCIZIO: Pe MAXIMUM = 13 bar

INSTALLATION POSITION AS DRAWN
EINBAULAGE WIE GEZEICHNET
POSITION D' INSTALLATION SUIVANT DESSIN
POSIZIONE DI MONTAGGIO COME DISEGNATO
M12x1.5 = 21 Nm MAXIMUM
M16x1.5 = 35 Nm MAXIMUM
M22x1.5 = 53 Nm MAXIMUM

TORQUE FOR CONNECTIONS:
ANZUGSMOMENT FLUER EINSCHRAUBSTUTZEN:
COUPLE DE SERRAGE DES RACCORDS:
COPPIA DI SERRAGGIO DE RACCORDI:

DYNAMIC PRESSURE OF THE SAFETY VALVE:
STAUDRUCK DES SICHERHEITSVENTILES:
PRESSION DYNAMIQUE DU SOUPEPE DE SECURITE:
PRESSIONE DINAMICA DELLA VALVOLA DI SICUREZZA: <23.5 bar AT 100 dm³/min

GOVERNOR		REGENERATION	
(6.3) SOLENOID VENTILMAGNET SOLENOID AIMANT	WORKING VOLTAGE: BETRIEBSSPANNUNG: VOLTAGE D'UTILISATION: VOLTAGGIO DI ESERCIZIO: 24±5/-4.4 V DC	(6.1) SOLENOID VENTILMAGNET SOLENOID AIMANT	WORKING VOLTAGE: BETRIEBSSPANNUNG: VOLTAGE D'UTILISATION: VOLTAGGIO DI ESERCIZIO: 24±5/-4.4 V DC
	NOMINAL CURRENT: NENNSTROM: COURANT NOMINAL: CORRENTE NOMINALE: 0.32 A		NOMINAL CURRENT: NENNSTROM: COURANT NOMINAL: CORRENTE NOMINALE: 0.5 A
	SERVICE CONDITION: BETRIEBSSART: CONDITION DU SERVICE: CONDIZIONE DI SERVIZIO: 100% ED		SERVICE CONDITION: BETRIEBSSART: CONDITION DU SERVICE: CONDIZIONE DI SERVIZIO: 50% ED

PORT ANSCHLUSS ORIFICE ORIFIZIO	FUNCTION FUNKTION FONCTION FUNZIONE	THREAD GEWINDE FILETAGE FILETTATURA
1	FROM THE COMPRESSOR VOM KOMPRESSOR PROVENANT DU COMPRESSEUR PROVENIENTE DEL COMPRESSORE	M22x1.5-6H JED-388-4
12	AUXILIARY FILL HILFSFUELLUNG L'AUXILIAIRE REMPLIT L'AUXILIARE RIEMPIE	M16x1.5-6H JED-152
21	TO THE RESERVOIRS ZU DEN LUFTEBHAELTERN AUX RESERVOIR AL SERBATOII PER	M22x1.5-6H JED-388-4
3	EXHAUST FOR COMPRESSED AIR ENTLUEFTUNG FLUER DRUCKLUFT ACHAPPEMENT POUR AIR COMPRI ME SCARICO PER ARIA COMPRESSA	-
4	TO THE COMPRESSOR ZUM KOMPRESSOR AU COMPRESSEUR AL COMPRESSORE	M12x1.5-6H JED-152
6	ELECTRICAL CONTROL ELEKTRISCHER STEUERANSCHLUSS COMMANDE ELECTRIQUE COMANDO ELETTRICO	-

General Specification: ISO 8768, JED-104-1, Size (S) 14410 LP

Further Technical Data: Product Specification

Doc. Code: 0301

2022-08-18

2022-08-19

Pröva

ELECTRICALLY CONTROLLED AIRDRYER

PRO 122 400 0

005 ML 1/1

51853 7x C 5056 AM