

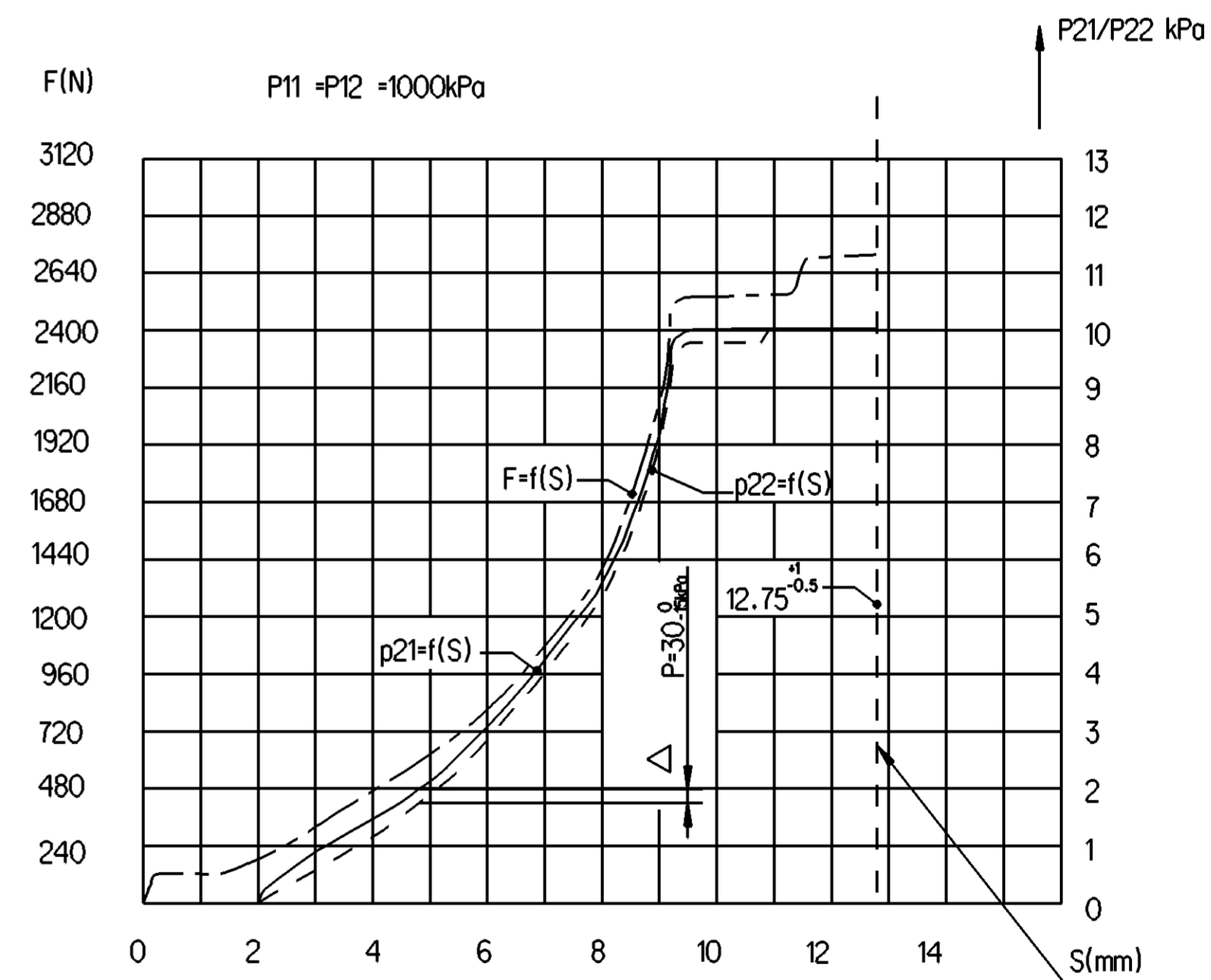
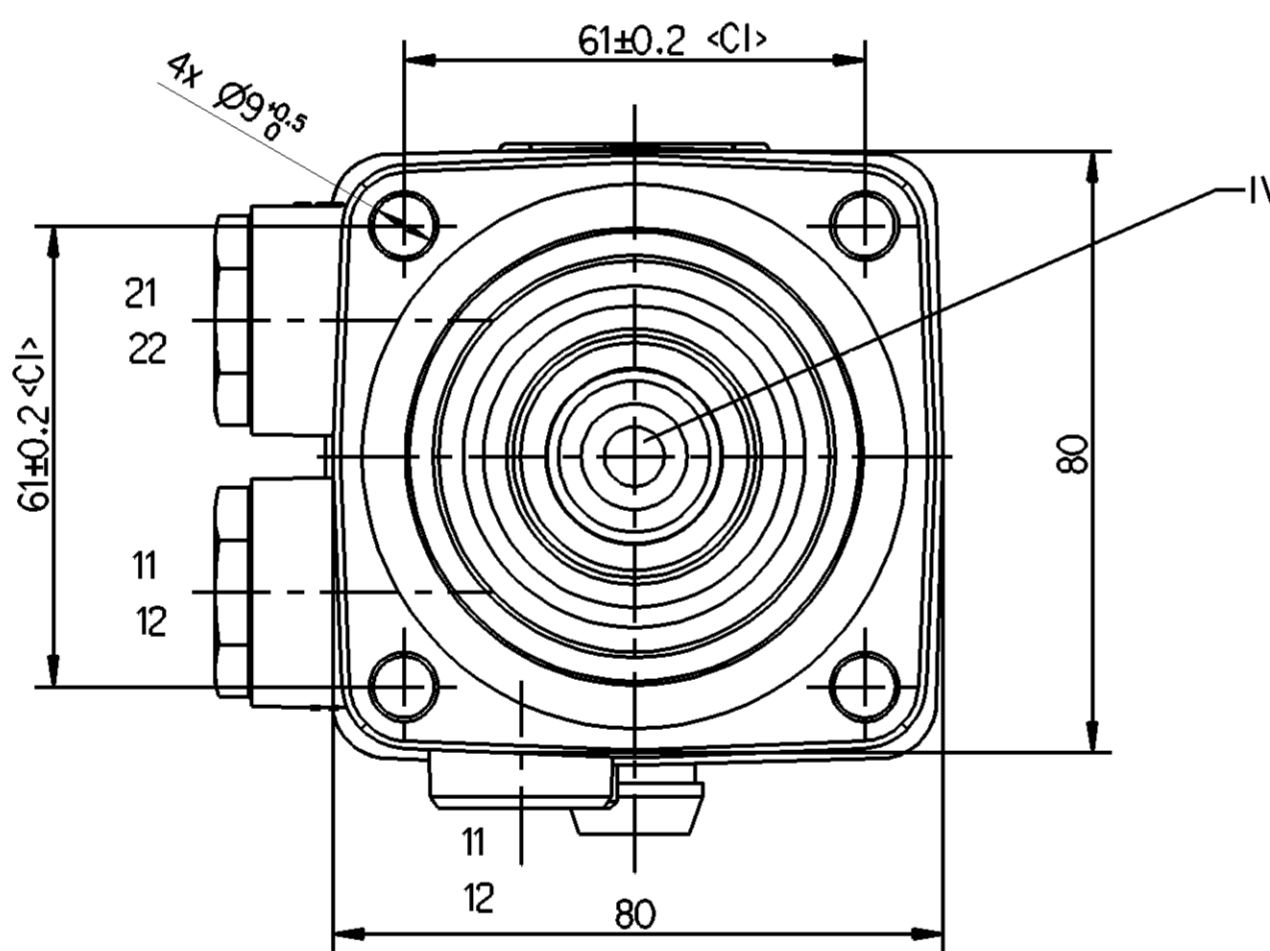
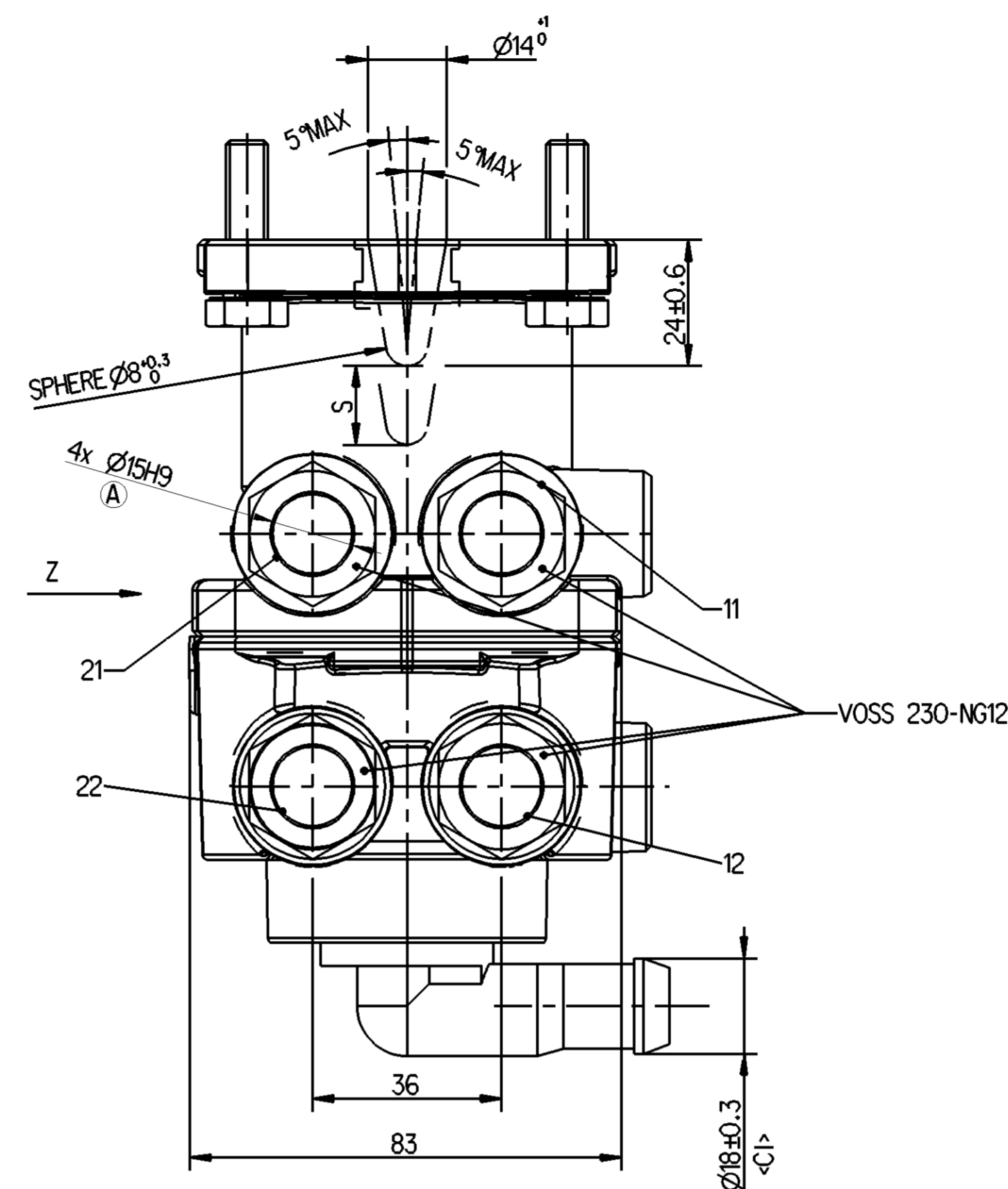
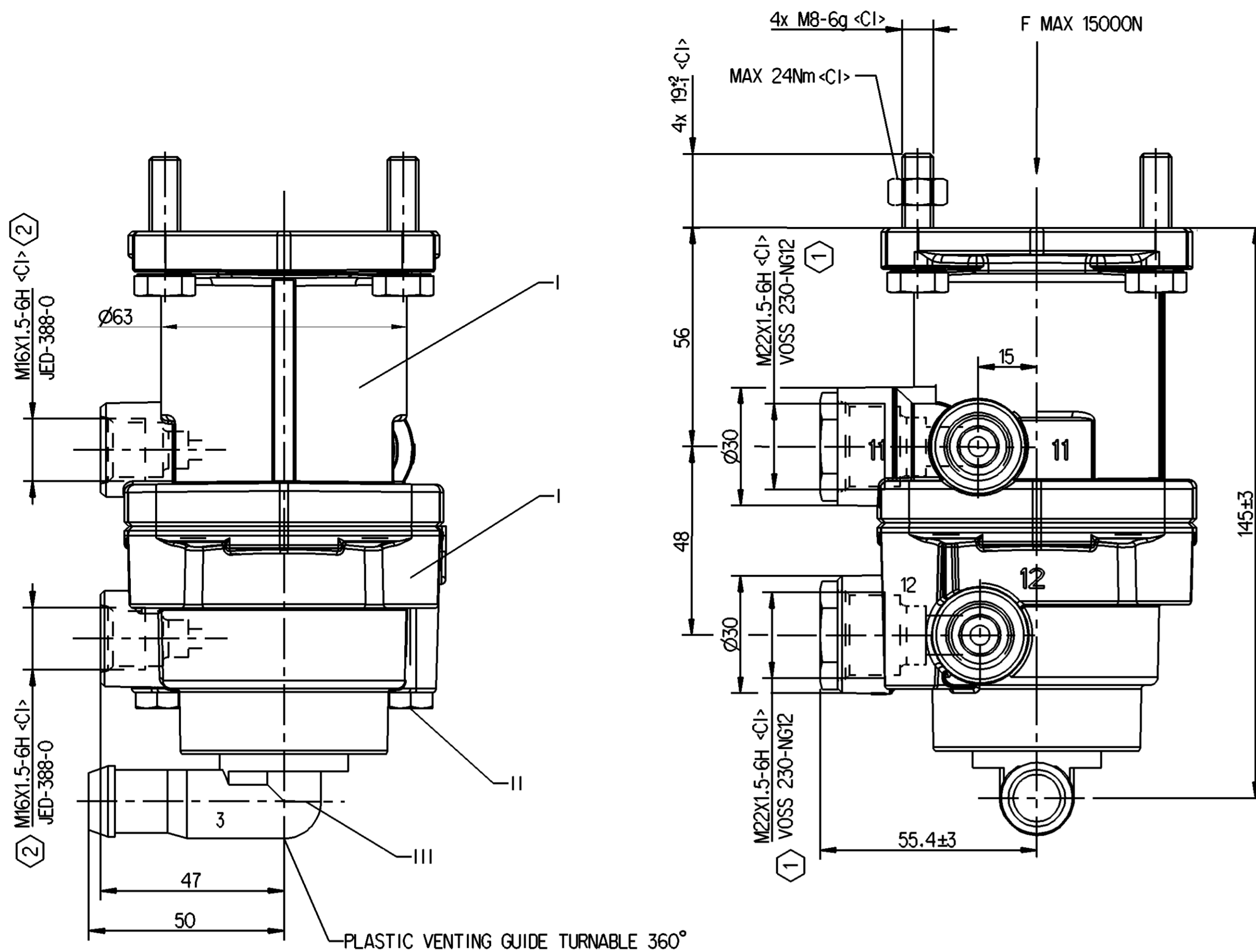
<1> SAFETY CHARACTERISTICS	0
<2> SIGNIFICANT CHARACTERISTICS	0
<CI> CUSTOMER INTERFACE	10

MATERIAL AND SURFACE PROTECTION

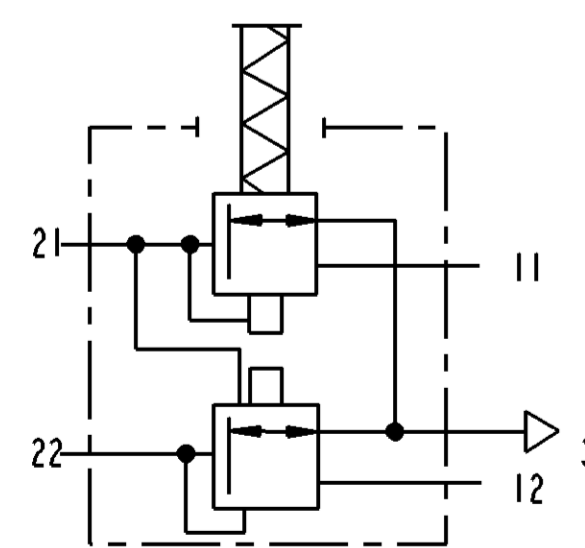
S.No	MATERIAL	SURFACE PROTECTION
I	ALUMINIUM ALLOY	CHROMA TED
II	STEEL	ZINC PLATED
III	PLASTIC	NO TREATMENT
IV	RUBBER	NO TREATMENT
V	CUZN	NO TREATMENT

TECHNICAL INFO

S.No.	NOTES	
1	PRODUCT FUNCTION AND RELIABILITY	
2	WORKING MEDIUM	AIR
3	NORMAL WORKING PRESSURE	10 bar
4	MAXIMUM WORKING PRESSURE	12 bar
5	NOMINAL DIAMETER (78.5 mm sq)	Ø10 mm
6	THERMAL RANGE OF APPLICATION	-40°C TO +80°C

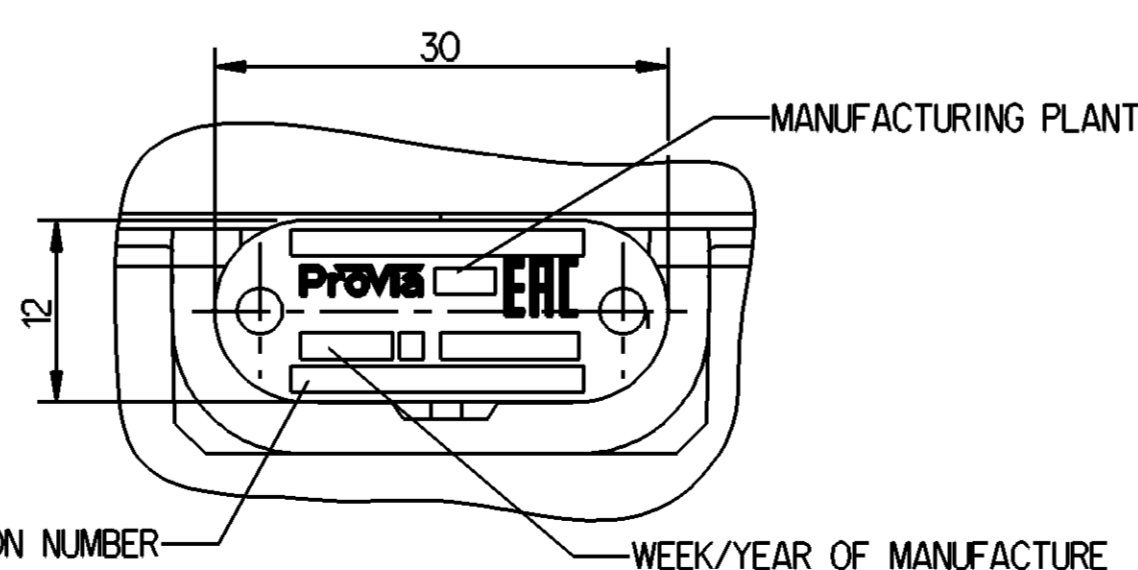


SCHEMATIC DIAGRAM



- 11/12 - SUPPLY
- 21/22 - OUTLET
- 3 - EXHAUST

NAME PLATE DETAILS



2:1
VIEW Z

- 1 TORQUE 53Nm MAX
- 2 TORQUE 34Nm MAX

General Specification: JED-334-1 - Size ISO 14405 LP	Copyright WABCO®		Material No.	Date of first issue:
Further Technical Data: PRO3150000	Date	Drawn	2019-12-20	
Doc. Code: 035	2020-03-28	Sheet: 01 To 07	005 EN 1/1	
General Tolerances JED-261	Checked	Drawn	5180_AM	
Range of Nominal Dimensions (± mm)	2020-04-21	Yerhochekyan	-	
Class I) ≤ 50	Expert	-		
II) <math>50 < 180</math>	Aswinkumar	-		
III) <math>180 \le 400 < 400</math>	Mass	-		
IV) <math>400 < 1250</math>	Scale	-		
V) <math>1250 < 4000</math>	1:1	-		
VI) > 4000	kg	-		
Class X	2.0 1.0 2.0 3.0 4.0	-		
Class Y	2.0 3.5 5.0 6.5	-		
Class Z	-			
Classified Holes acc. JED-388-O	Size	-		
1) Tolerance Class Applied Crossmarked	CAD System	-		