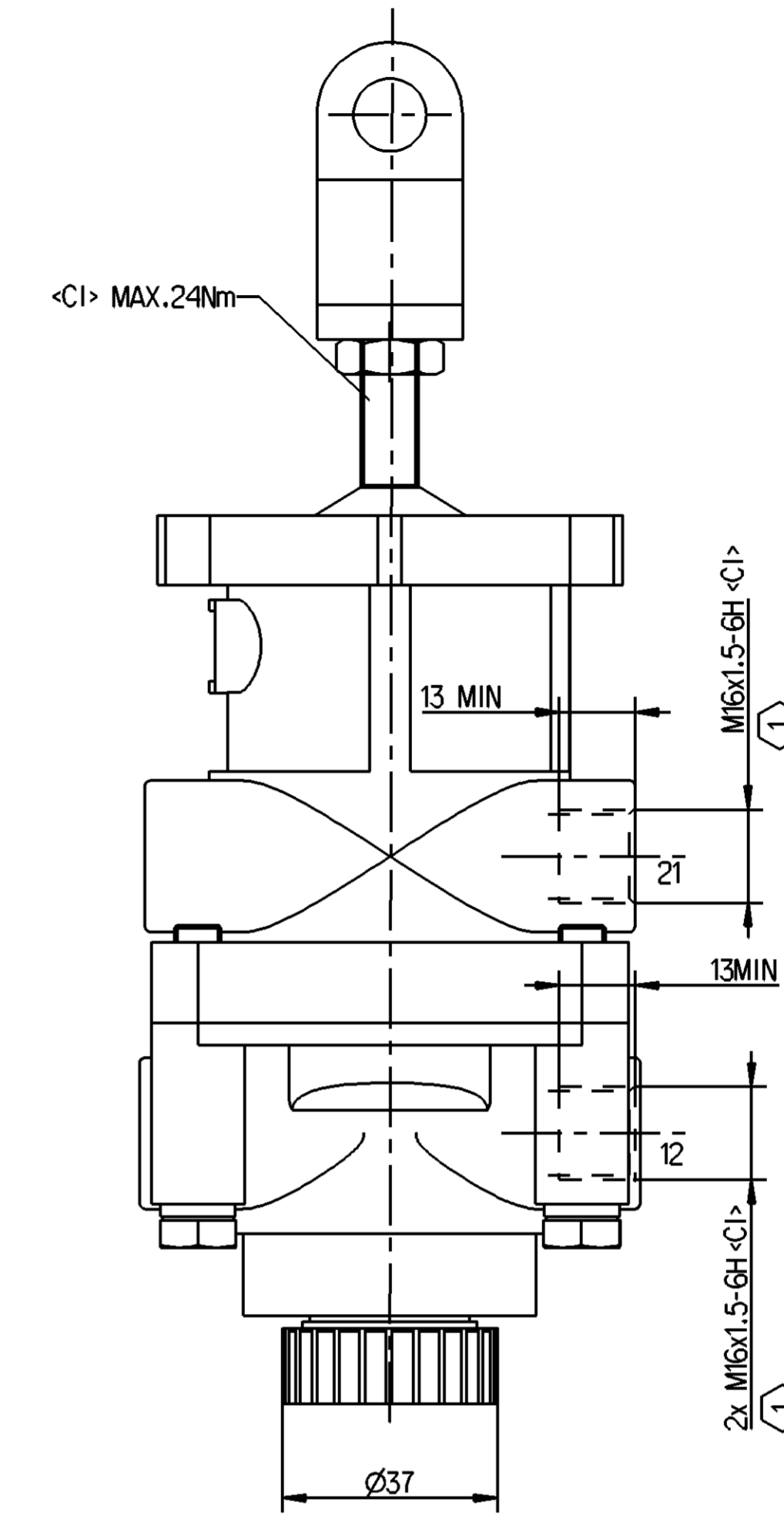
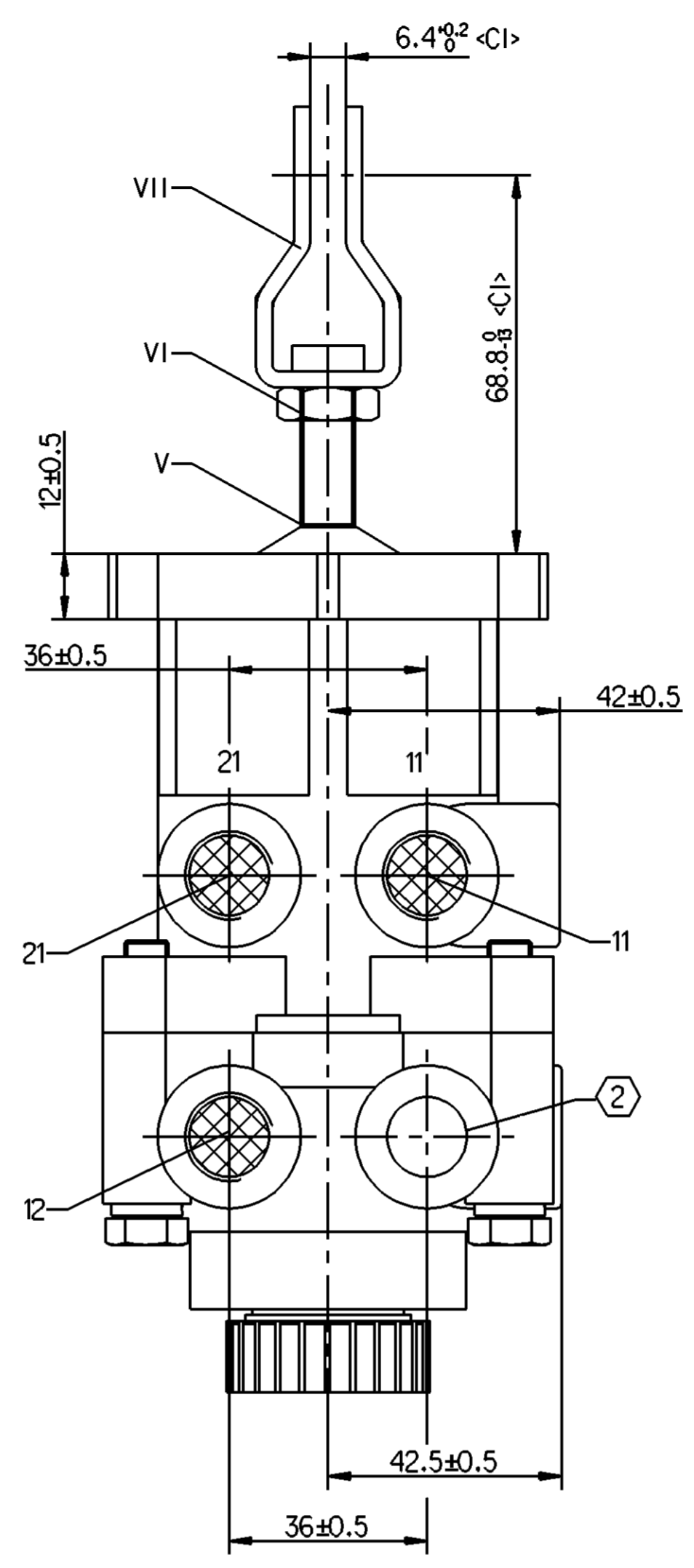
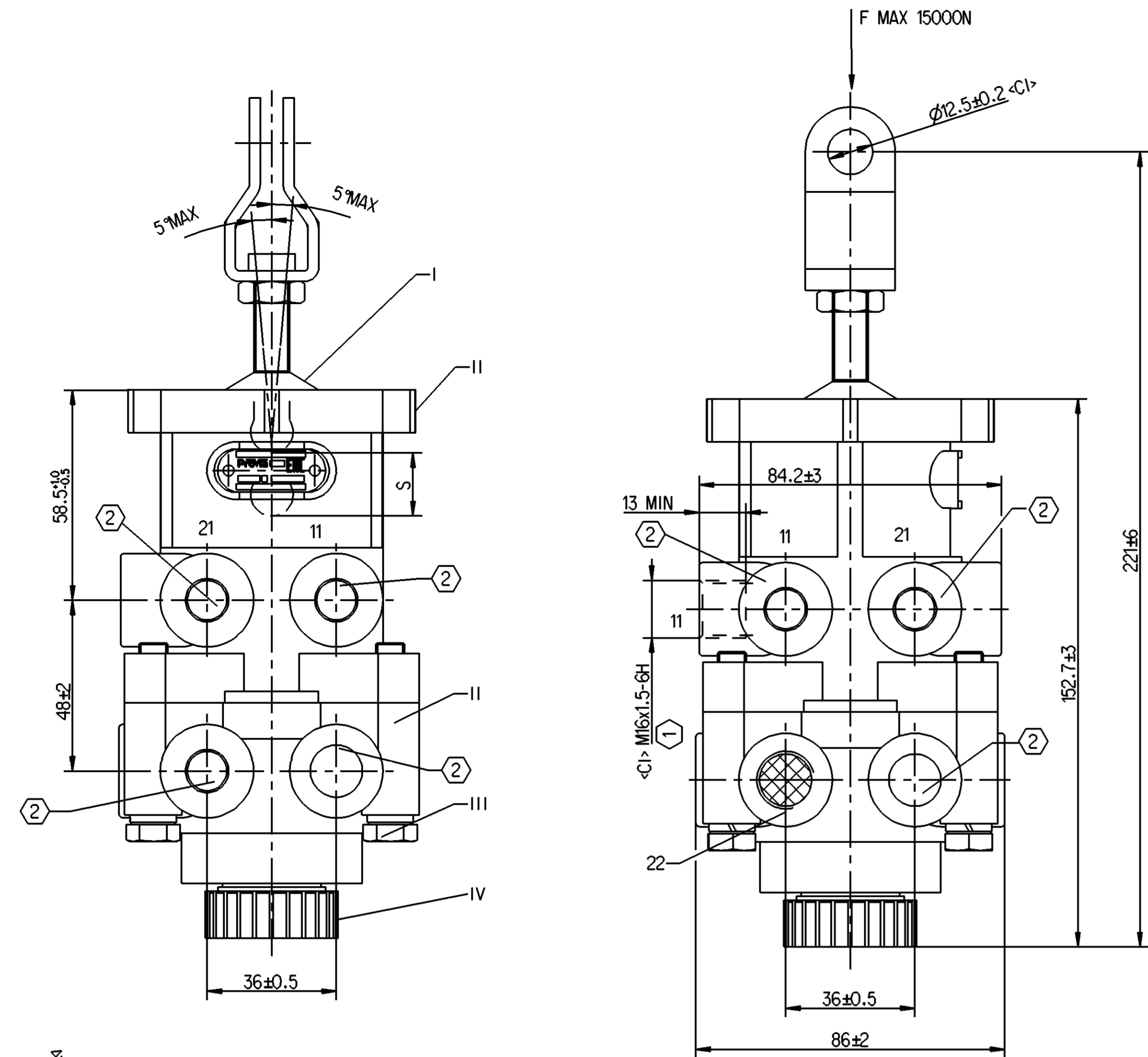


<I> SAFETY CHARACTERISTICS	0
<II> SIGNIFICANT CHARACTERISTICS	0
<CI> CUSTOMER INTERFACE	10

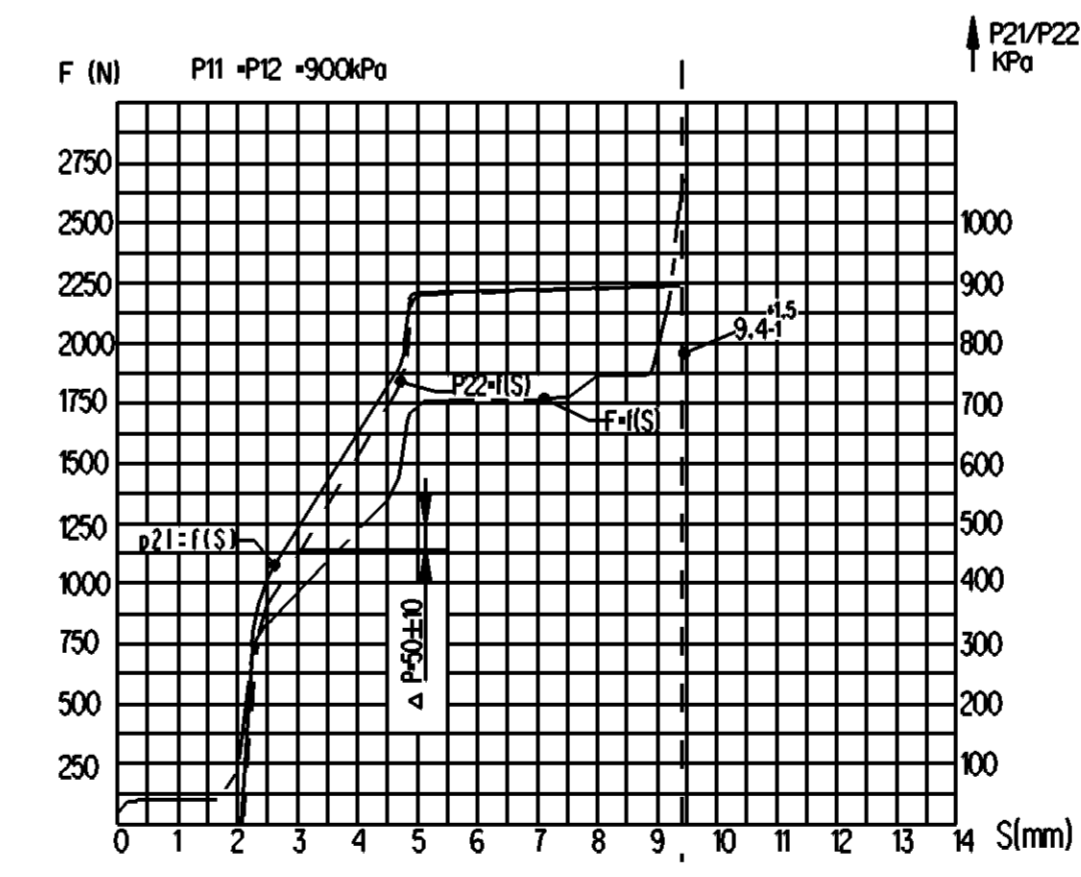
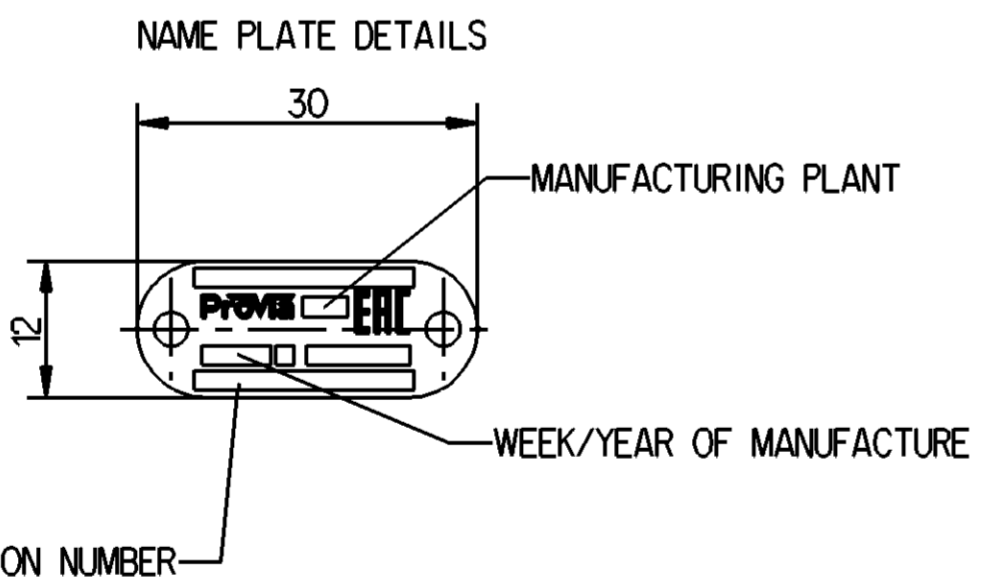
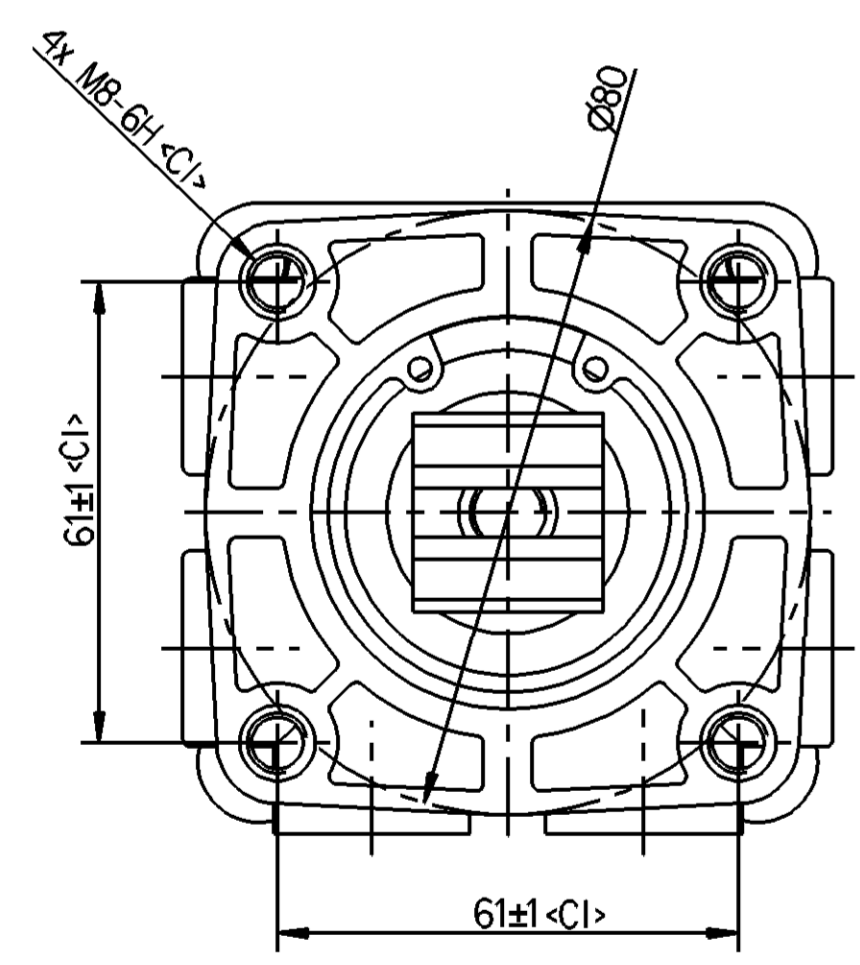


MATERIAL AND SURFACE PROTECTION

S.No.	MATERIAL	SURFACE PROTECTION
I	RUBBER	NO TREATMENT
II	ALUMINIUM ALLOY	CHROMA TED
III	STEEL	ZINC PLATED
IV	PLASTIC	NO TREATMENT
V	STEEL	ZINC PLATED
VI	STEEL	ZINC PLATED
VII	STEEL	ZINC PLATED

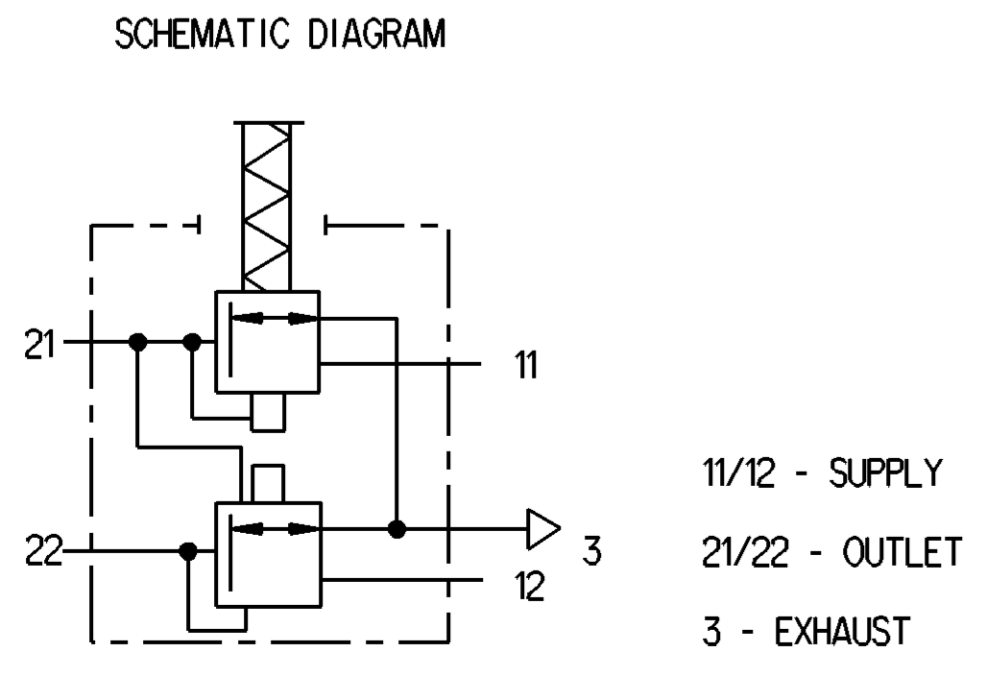
TECHNICAL DATA

S.No.	NOTES	
1	PRODUCT FUNCTION AND RELIABILITY	
2	WORKING MEDIUM	AIR
3	NORMAL WORKING PRESSURE	9 bar
4	MAXIMUM WORKING PRESSURE	12 bar
5	NOMINAL DIAMETER(78.5 mm sq)	Ø10 mm
6	THERMAL RANGE OF APPLICATION	-40°C TO +80°C
7	NOISE LEVEL	≤82 dBA (A)



COURSE WITHOUT LOAD UNTIL BEGINING OF PRESSURE INCREASE : 2±0.5mm
 COURSE UNTIL REACHING DELIVERT OF 3 bar : 1.5 - 3.5 (2.5^{+1.2}₋₁)mm
 COURSE UNTIL REACHING DELIVERY OF 9 bar : 4 - 6 (5±1)mm
 TOTAL COURSE UNTILL STOP IN THE DEVICE : 10.9 - 8.4mm (9.4^{+1.5}₋₁)mm
 PRESSURE PREDOMANCE OF FIRST CIRCUIT COMPARED TO SECOND CIRCUIT (ΔP): 50±10kPa

- ① TORQUE 34Nm MAX
- ② NO OPEN



General Specifications: JED-334-1 - Size ISO 14405 LP
 Further Technical Data: PRO 315 000 0
 Doc. Code: 035 Sheet: 01 To: 07

Copyright WABCO®
 Date: 2020-05-30
 Drawn: Saravanan
 Checked: Yerachochelvan
 Expert: Aswinkumar

WABCO
FOOT BRAKE VALVE

Material No.: PRO 315 009 0
 Date of first issue: 2019-12-20
 Doc. Code: 005 EN 1/1
 Rev. 1x A
 Tech. Resp.: 5180_AM

Mass: 1.75 kg
 Scale: 1:1
 Size: A 1 CREO
 Tapped Holes acc. JED-152
 1) Tolerance Class Applied Crossmarked

Non è permesso copiare o riprodurre questo documento, né utilizzare il contenuto a fini commerciali, senza permesso scritto dalla WABCO. È vietata espressamente la ristampa o l'uso non autorizzato. Toute réimpression ou utilisation non autorisée sans la permission écrite de la WABCO est formellement interdite. Toute utilisation non autorisée sera considérée comme une violation des droits de propriété intellectuelle. All rights reserved. No part of this document may be reproduced or transmitted in any form or by any means electronic or mechanical, including photocopying and recording, or by any information storage or retrieval system, without permission in writing from WABCO.