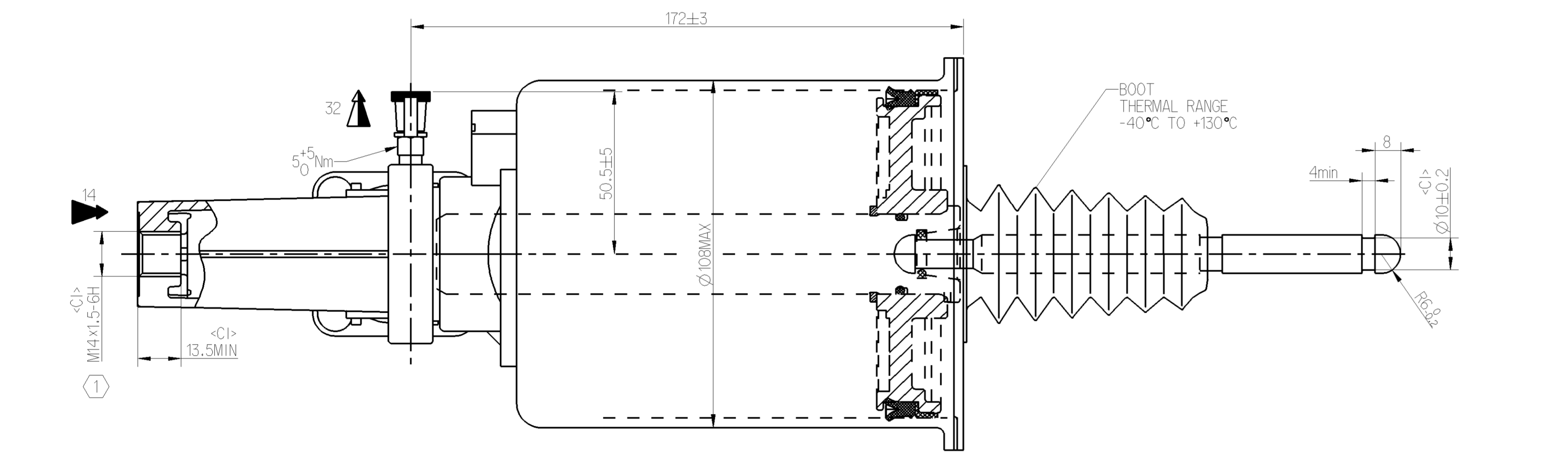
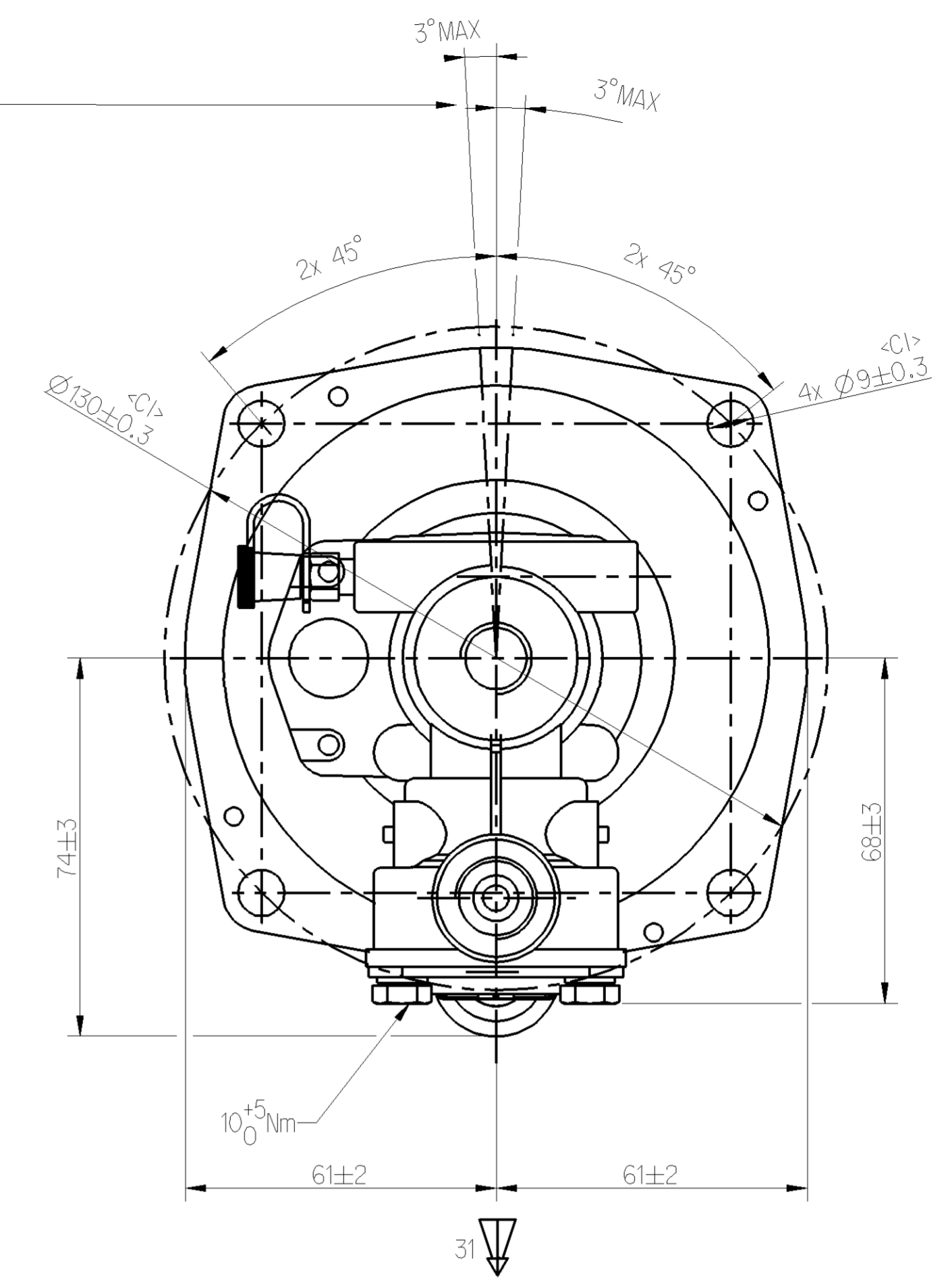
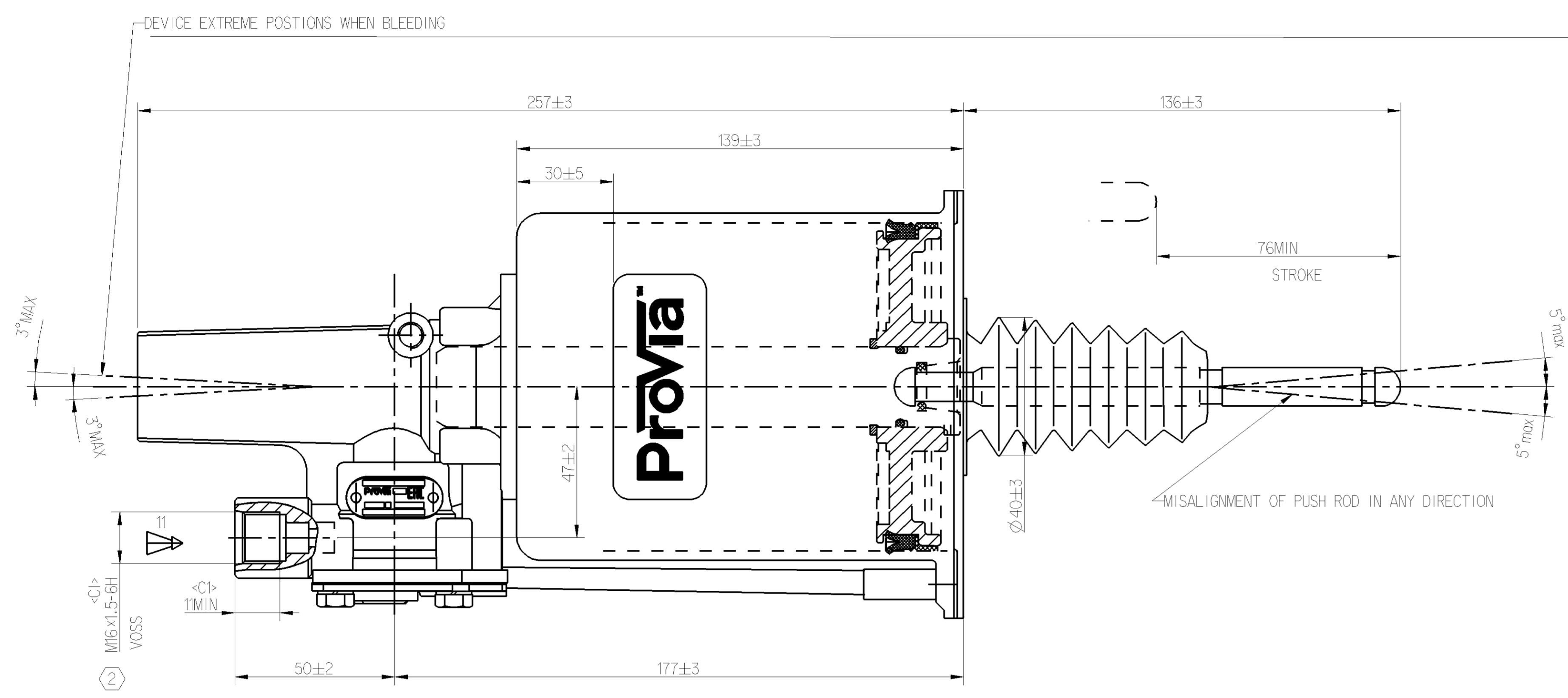
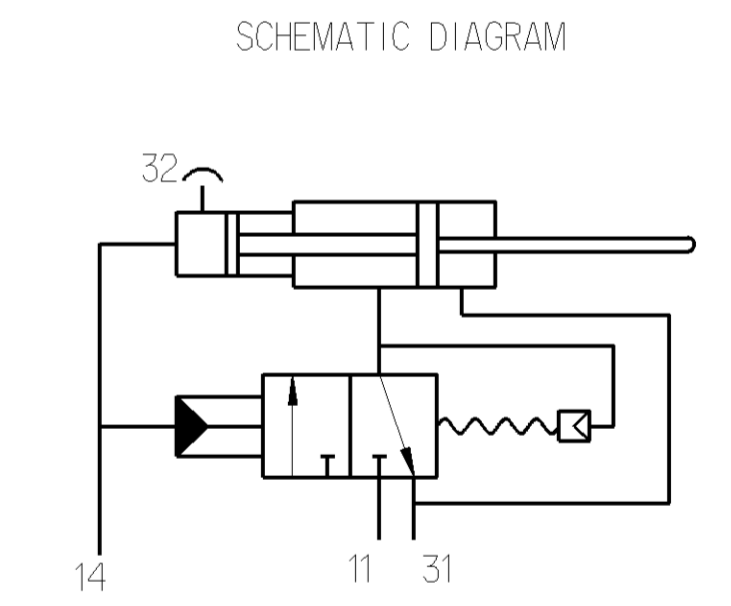


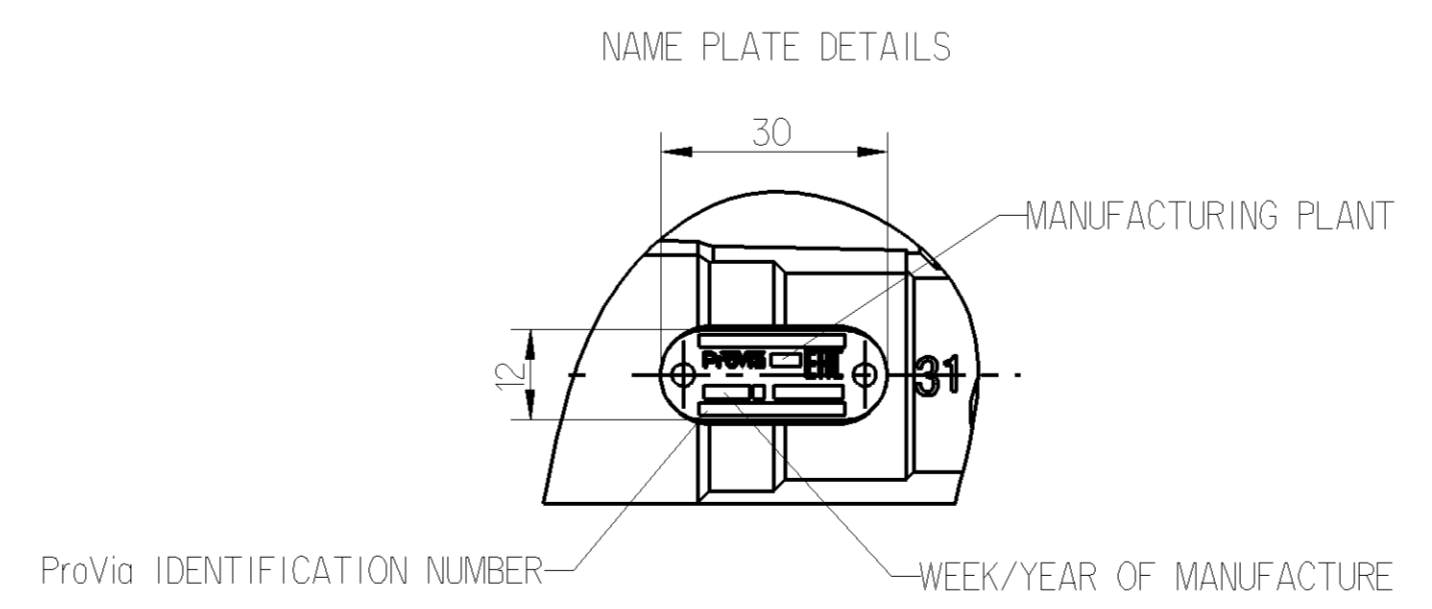
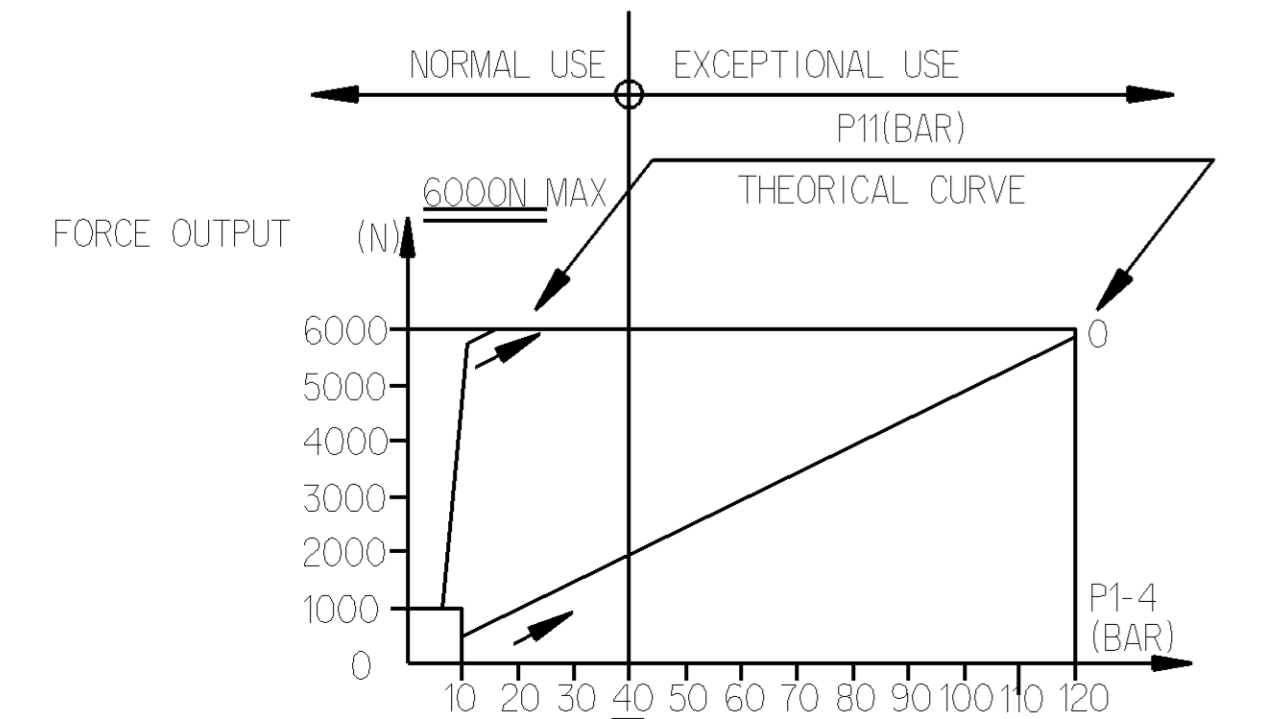
<P> SAFETY CHARACTERISTICS	0
<S> SIGNIFICANT CHARACTERISTICS	0
<CI> CUSTOMER INTERFACE	7



- TECHNICAL INFORMATION:
1. HYDRAULIC TANK DIAMETER : Ø25mm
  2. AIR TANK DIAMETER : Ø102mm
  3. HYDRAULIC WORKING PRESSURE : 4MPa
  4. HYDRAULIC WORKING PRESSURE : 12MPa MAX
  5. AIR WORKING PRESSURE : 1MPa MAX
  6. WORKING TEMPERATURE : -40°C TO +80°C
  7. MEDIUM : BRAKE OIL, AIR
- ① TORQUE 25Nm MAX  
② TORQUE 34Nm MAX



MARKING OF PORTS  
11-AIR INLET  
14-OIL INLET  
31-AIR EXHAUST  
32-BLEED SCREW



General Specifications: JED-334-1 - Size ISO 14405 LP		Copyright WABCO®	
Further Technical Data: PRO 411 017 0		Date	Signature
Doc. Code: 035	Sheet: 1 To 5	2021-08-04	M.P.
General Tolerances JED-261		Checked	
Range of Nominal Dimensions ( ± mm)		2021-08-10 Verahachelvan	
Class	1) ≤ 50	2) > 50 &lt; 180	3) > 180 &lt; 400
Fine	0.5	1.0	1.5
Medium	1.0	2.0	3.0
Coarse	2.0	3.5	5.0
Tapped Holes acc. -		Expert	
1) Tolerance Class Applied Crossmarked		Thomas Bilising	
Mass	Scale	Material No.	
2.8	NTS	PRO 411 010 0	
Size	CAD System	Date of first issue	2021-08-10
A 1	CREO	Doc.Code	Language
		005	EN
		5630_AM	Sheet
		1/1	

Non è permesso copiare o riprodurre questo documento, né utilizzare il contenuto in modo commerciale, senza permesso scritto dalla WABCO. È vietata espressamente la ristampa o l'uso non autorizzato. Toute réimpression ou utilisation non autorisée sans la permission écrite de la WABCO est formellement interdite. Toute utilisation non autorisée sera considérée comme acte de contrefaçon et sera poursuivie en justice.