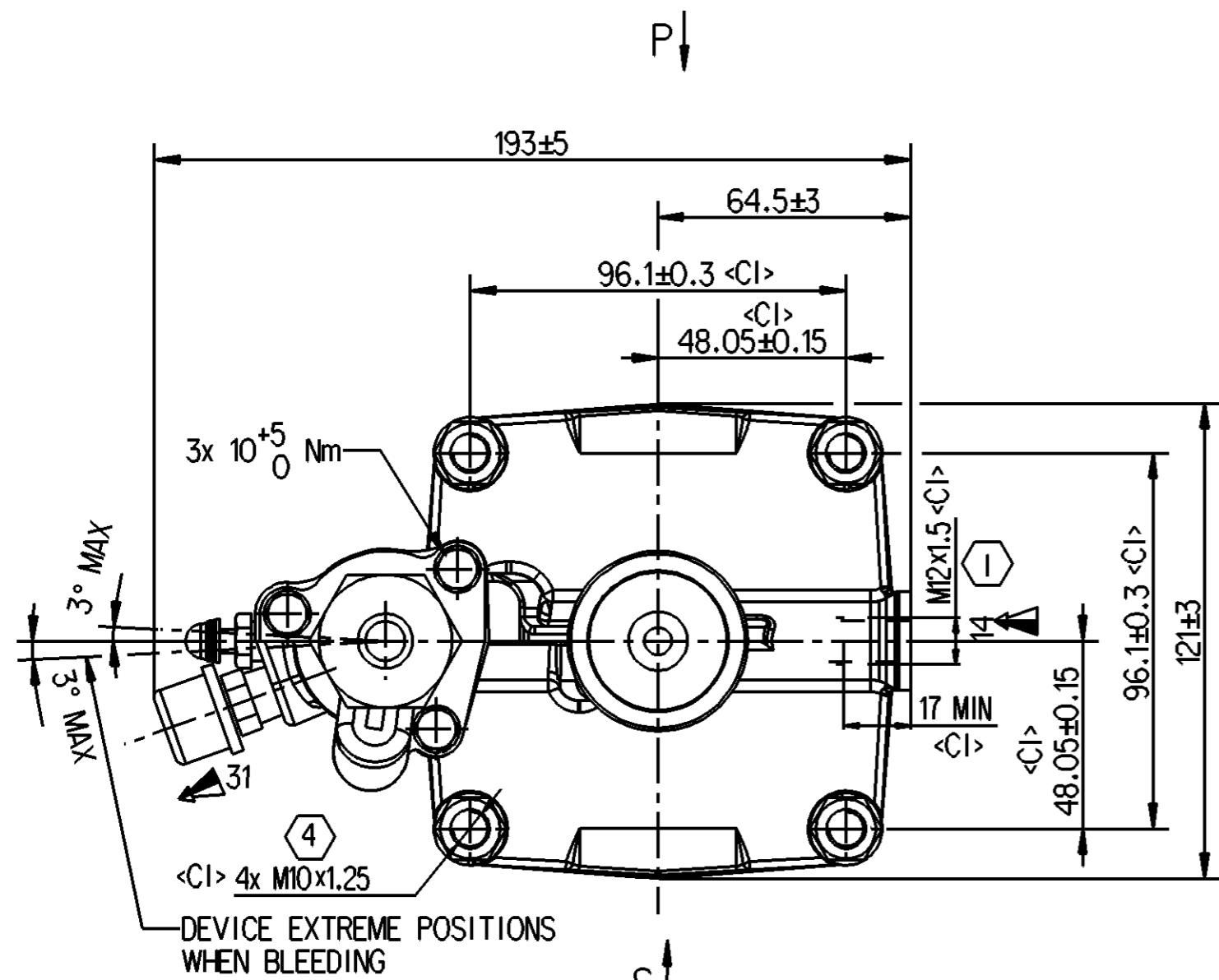
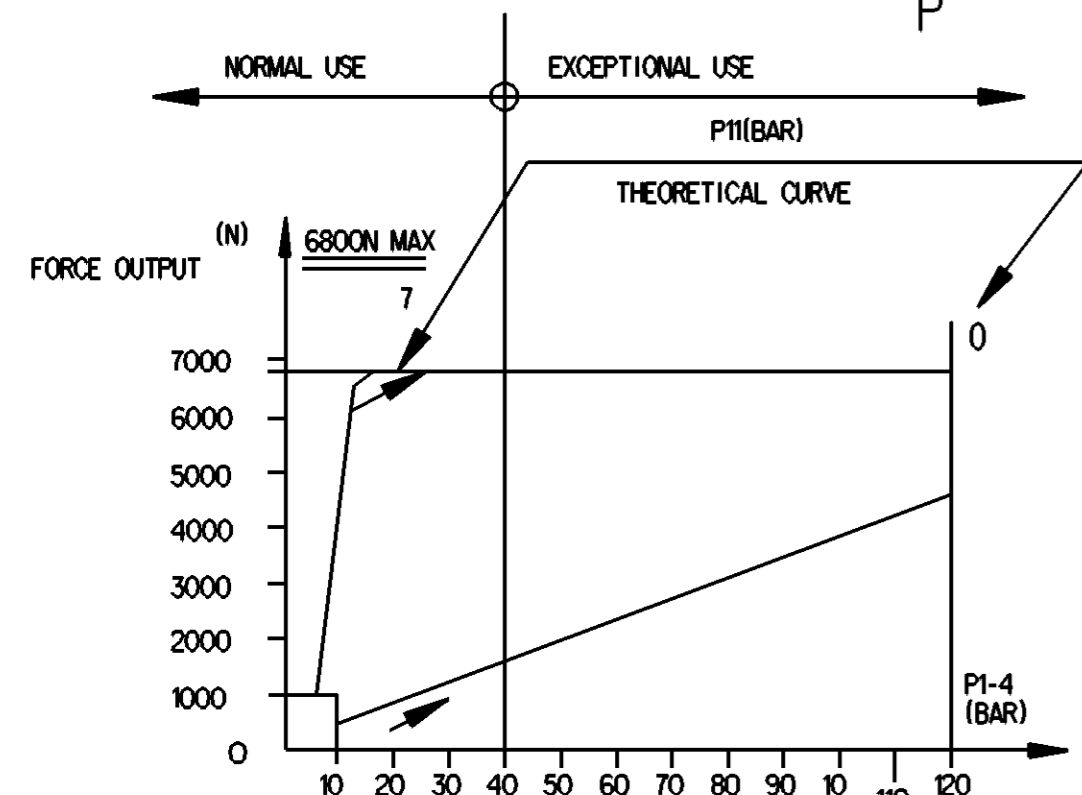
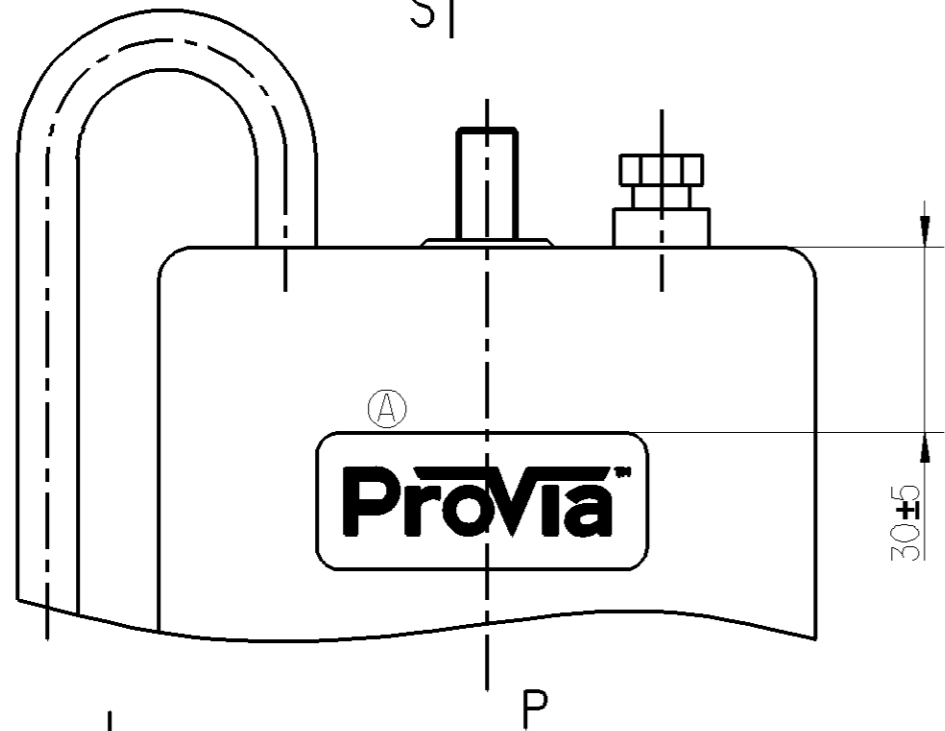


<1> SAFETY CHARACTERISTICS	0
<2> SIGNIFICANT CHARACTERISTICS	0
<C1> CUSTOMER INTERFACE	10



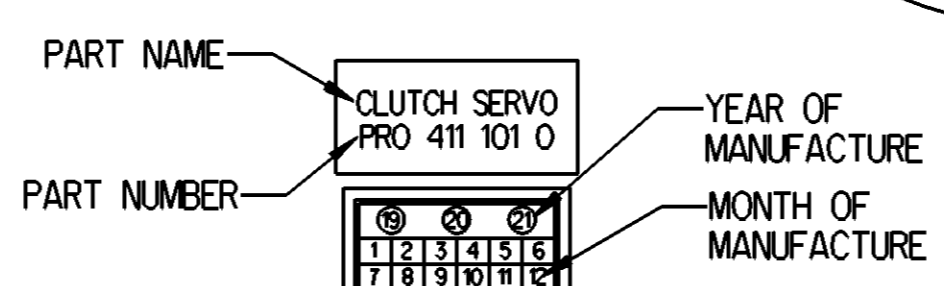
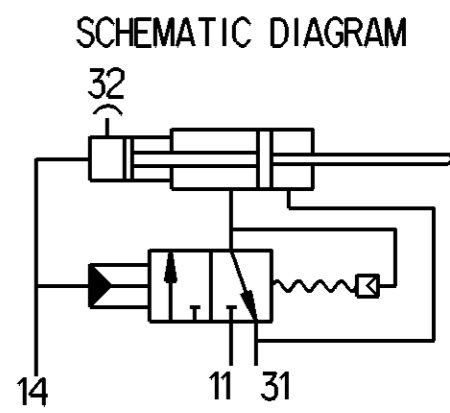
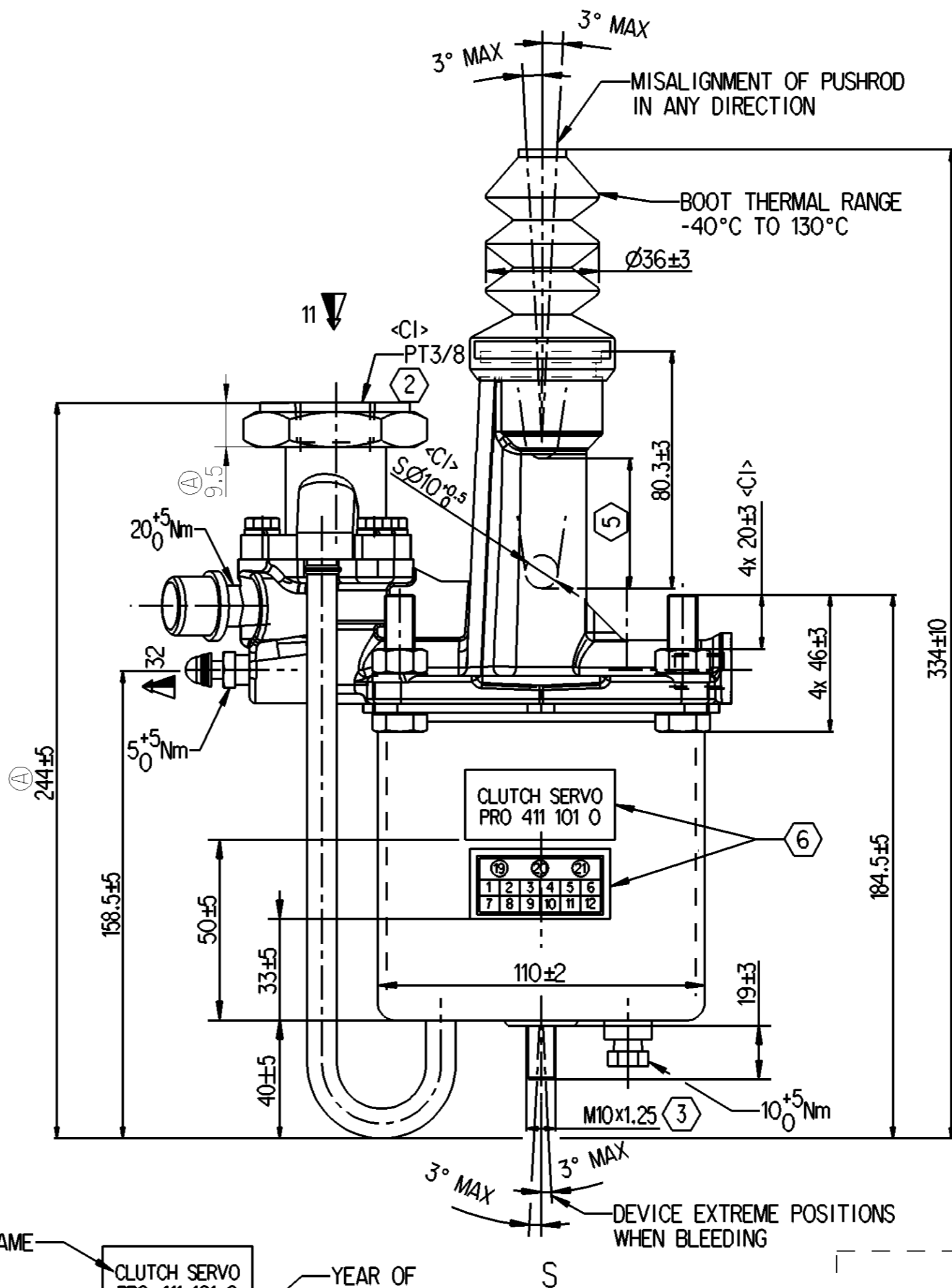
DEVICE EXTREME POSITIONS WHEN BLEEDING



- NOTES:
1. HYDRAULIC TANK DIA: $\varnothing 22.22\text{mm}$;
 2. AIR TANK DIA: $\varnothing 105\text{mm}$;
 3. HYDRAULIC WORKING PRESSURE: 4MPa;
 4. HYDRAULIC WORKING PRESSURE MAX: 12MPa;
 5. AIR WORKING PRESSURE MAX: 1MPa;
 6. WORKING TEMPERATURE: -40 TO +80°C;
 7. MEDIUM: BRAKE OIL, AIR
 8. STROKE LENGTH: 44±3mm

- ① TORQUE 21Nm MAX
- ② TORQUE 34Nm MAX
- ③ TORQUE 24Nm MAX
- ④ TORQUE 44Nm MAX

MARKING OF PORTS
 11-AIR INLET
 14-OIL INLET
 31-AIR EXHAUST
 32-BLEED SCREW



⑥ STICKER DETAILS

General Specification: JED-334-1, Size ISO 14405 LP		Copyright WABCO®		ProVia	
Further Technical Data: PRO 411 100 0		Date _____ Signature _____		CLUTCH SERVO - 105 mm	
Doc. Code: 035	Sheet: 1 To 5	2020-09-09	M.P.		
General Tolerances JED-261		Checked			
Range of Nominal Dimensions (± mm)		2020-09-10		Yerachchelvan	
Class 1)	≤ 50	> 50 ≤ 180	> 180 ≤ 400	> 400	±3°
Fine	0.5	1.0	1.5	2.0	
Medium	X 1.0	2.0	3.0	4.0	
Coarse	2.0	3.5	5.0	6.5	
Tapped Holes acc. -		Mass	Scale	Material No.	
1) Tolerance Class Applied Crossmarked		4.1 kg	NTS	PRO 411 101 0	
		Size	CAD System	ECN-No.	Revision
		A 2	CREO	505669	3x A
		Date of first issue: 2020-04-03		Techn. Resp.	Replacement for
				5630_AM	

Non e permesso, concesso o terzi o riprodurre questo documento, ne utilizzare il contenuto o renderlo comunque noto o terzi senza autorizzazione esplicita. Ogni infrazione costituisce un evidente abuso e comporterà il risarcimento dei danni subiti. E' fatta riserva di tutti i diritti derivanti da brevetti o modelli.
 Coping of this document and giving it to others and the use or communication of the contents thereof, are forbidden, without express authority. Contravention of this restriction will constitute an evident abuse and result in a liability to the payment of damages. All rights are reserved in the event of the grant of patent or registration of a utility model or design. This document is the subject of copyright.
 Toute communication ou reproduction de ce document, toute exploitation ou communication de son contenu sont interdites, sauf autorisation expresse. Tout manquement a cette regle constitue un abus evident et sera sanctionne par le versement de dommages et interets. Tous droits de propriete industrielle reserves, notamment en matiere de brevets et de modes.
 Weitergabe sowie Vervielfältigung dieses Urteils, Verwertung und Mitteilung desselben ist nicht gestattet, soweit nicht ausdrücklich ansonsten, weitergegeben, stehen ein, offeneschließen. Missbrauch dar und verpflichten zu Schadensersatz. Alle Rechte hier den Fall der Patentierung oder Gebrauchsmuster-Eintragung vorbehalten.