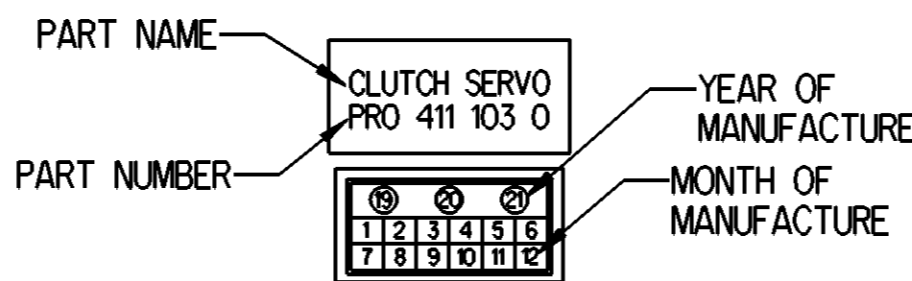
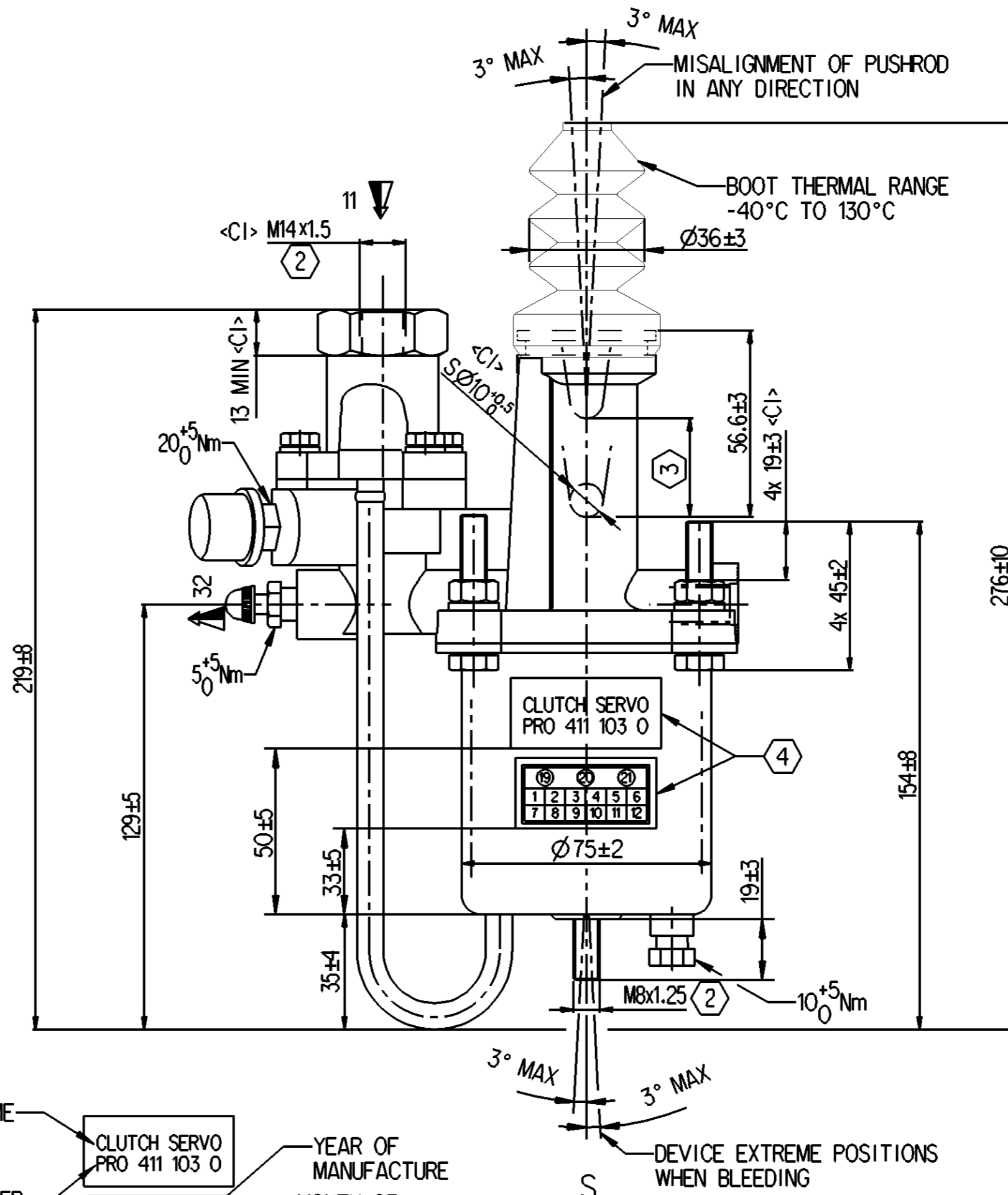
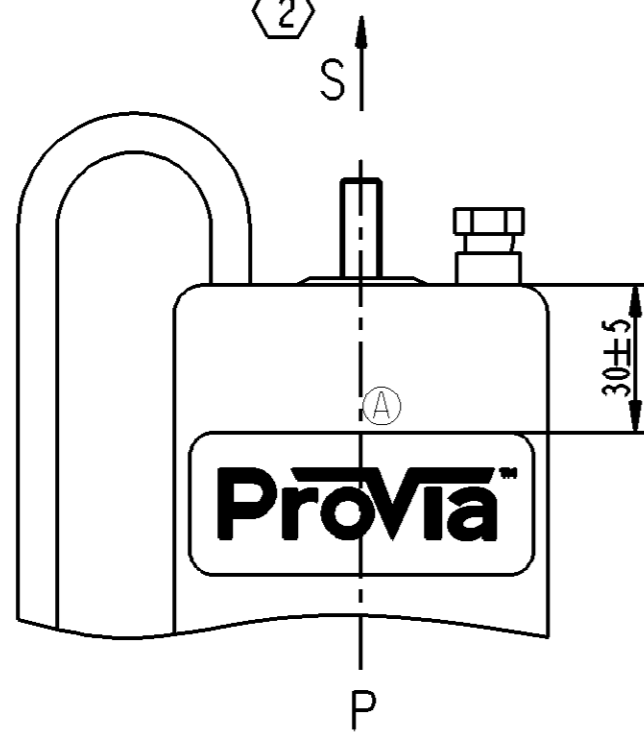
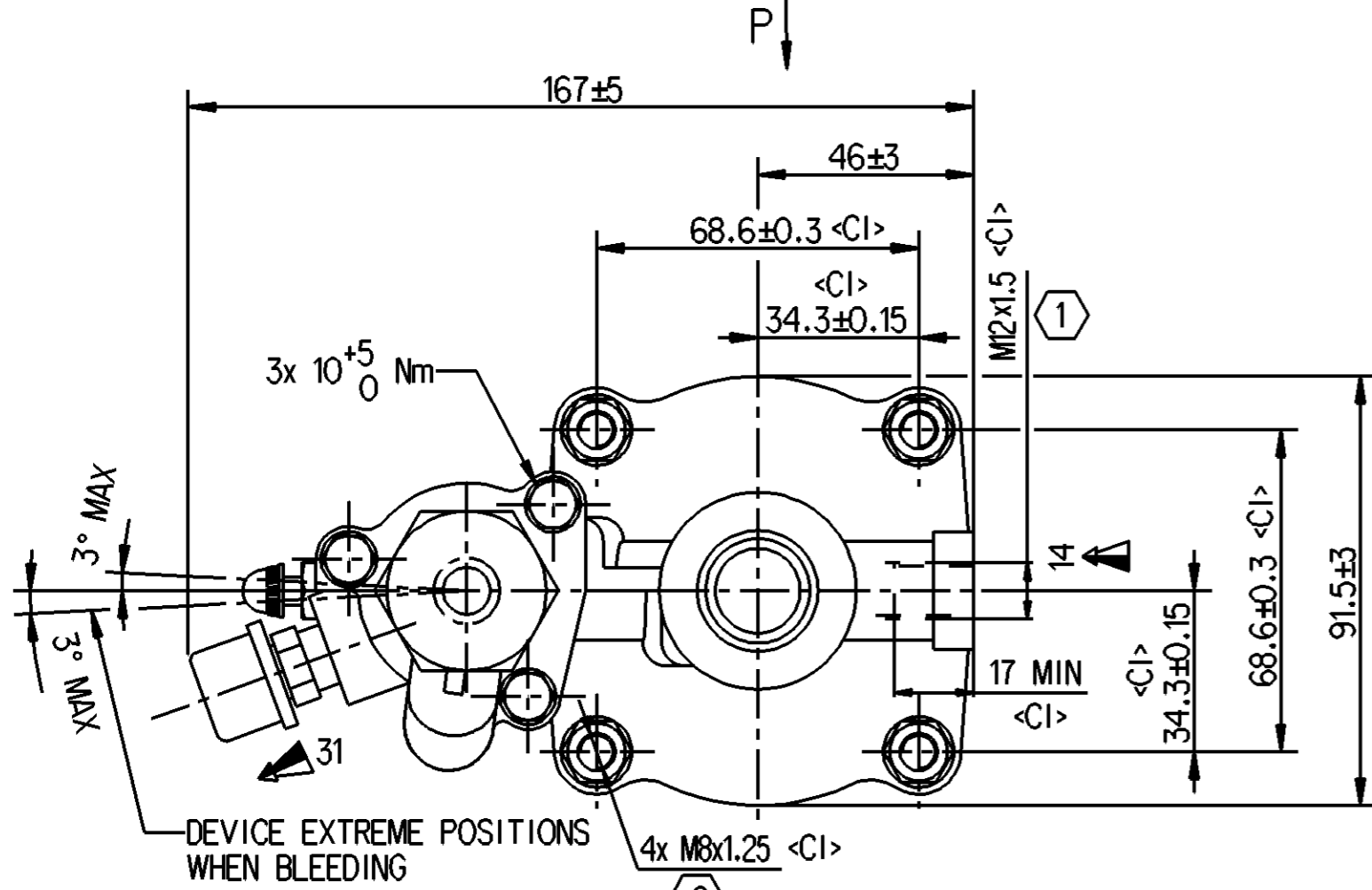
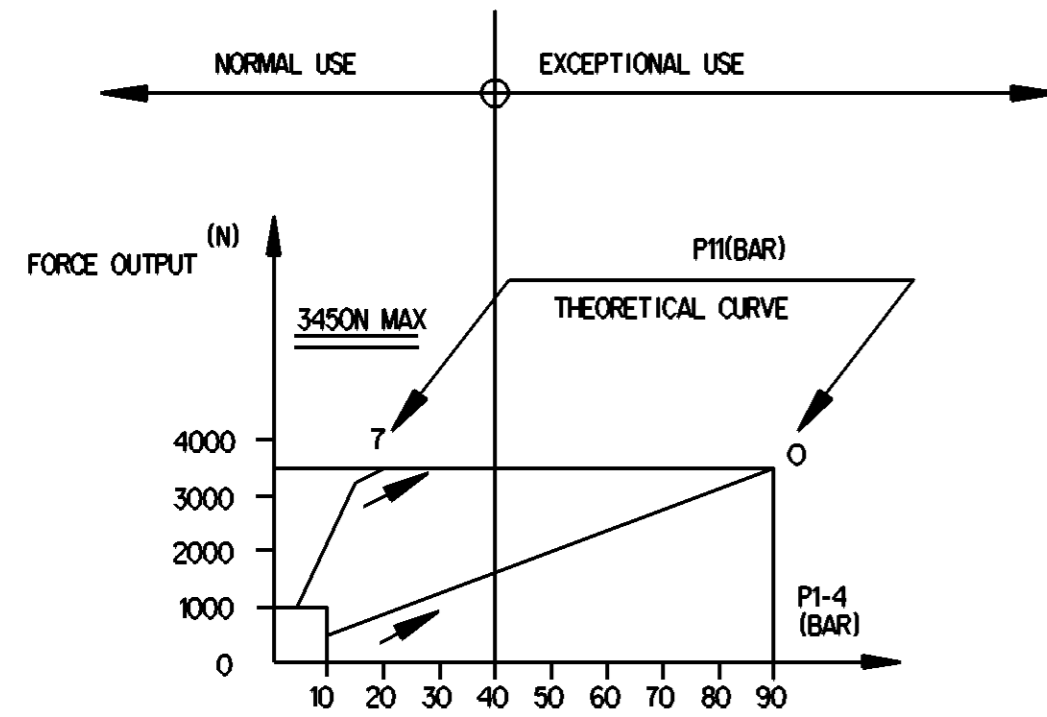
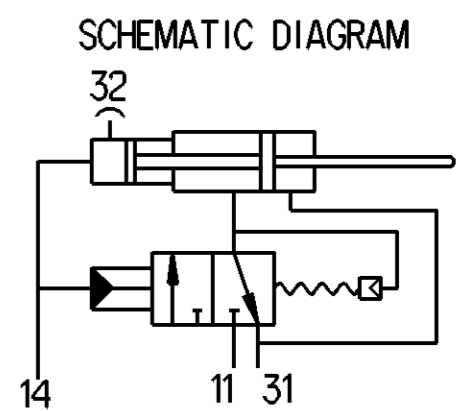


<1> SAFETY CHARACTERISTICS	0
<2> SIGNIFICANT CHARACTERISTICS	0
<CI> CUSTOMER INTERFACE	11



<4> STICKER DETAILS



- NOTES:
1. HYDRAULIC TANK DIA: Ø22.22mm;
 2. AIR TANK DIA: Ø70mm;
 3. HYDRAULIC WORKING PRESSURE: 4MPa;
 4. HYDRAULIC WORKING PRESSURE MAX: 12MPa;
 5. AIR WORKING PRESSURE MAX: 1MPa;
 6. WORKING TEMPERATURE: -40 TO +80°C;
 7. MEDIUM: BRAKE OIL, AIR
 8. STROKE LENGTH: 35±3

- <1> TORQUE 21Nm MAX
- <2> TORQUE 25Nm MAX

MARKING OF PORTS
 11-AIR INLET
 14-OIL INLET
 31-AIR EXHAUST
 32-BLEED SCREW

General Specification: JED-334-1, Size ISO 14405 LP		Copyright WABCO®		ProVia	
Further Technical Data: PRO 411 100 0		Date: 2020-10-15		Signature: M.P.	
Doc. Code: O35 Sheet: 1 To 5		Checked: 2020-10-27		Expert: Yerachochelvan	
General Tolerances JED-261		Thomas Bilising		Material No.: PRO 411 103 0	
Range of Nominal Dimensions (± mm)		Mass: 2.44 kg		Date of first issue: 2020-04-03	
Class 1) ≤ 50 > 50 ≤ 180 > 180 ≤ 400 > 400		Scale: NTS		Doc.Code: 005	
Medium X		Size: A 2		Language: EN	
Coarse		CAD System: CREO		Sheet: 1/1	
Tapped Holes acc. -		ECN-No.: 506008		Revision: 1x	
1) Tolerance Class Applied Crossmarked		Techn. Resp.: A		Replacement for: 5630_AM	

Non e permesso, con somma o terzi o, riproducere questo documento, ne utilizzare il contenuto o renderlo comunque noto o terzi senza autorizzazione esplicita. Ogni infrazione costituira un evidente abuso e comportera il risarcimento dei danni subiti. E' fatta riserva di tutti i diritti derivanti da brevetti o modelli. Copying of this document and giving it to others and the use or communication of the contents hereof, are forbidden, without express authority. Contention of this restriction will constitute an evident abuse and result in a liability to the payment of damages. All rights are reserved in the event of the grant of patent or registration of a utility model or design. This document is the subject of copyright. Toute communication ou reproduction de ce document, toute exploitation ou communication de son contenu sont interdites, sauf autorisation expresse. Tout manquement a cette regle constitue un abus evident et expose son auteur ou verserment de dommages et interets. Tous droits de proprieete industrielle reserves, notamment en matiere de brevets et de modeles. Weitergabe sowie Vervielfaltigung dieser Unterlagen, Vervielfaltigen, Verbreiten und Weitergeben ist nicht gestattet, soweit nicht ausdru cklich ansonsten, weitergegeben, stehen eine, offensichtlichen Missbrauch dar und verpflichten zu Schadenersatz. Alle Rechte hier den Fall der Patentierung oder Gebrauchsmuster-Eintragung vorbehalten.