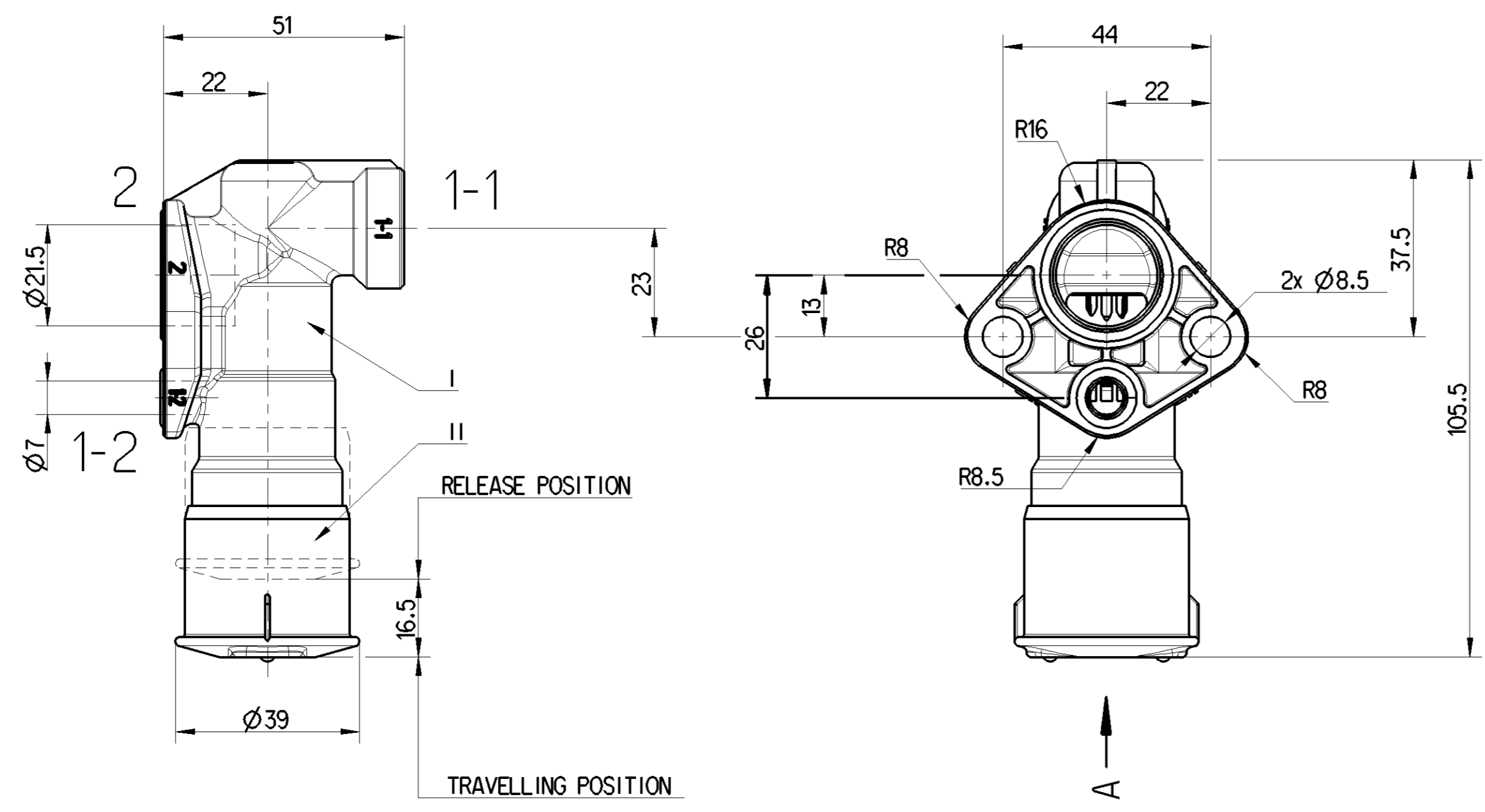
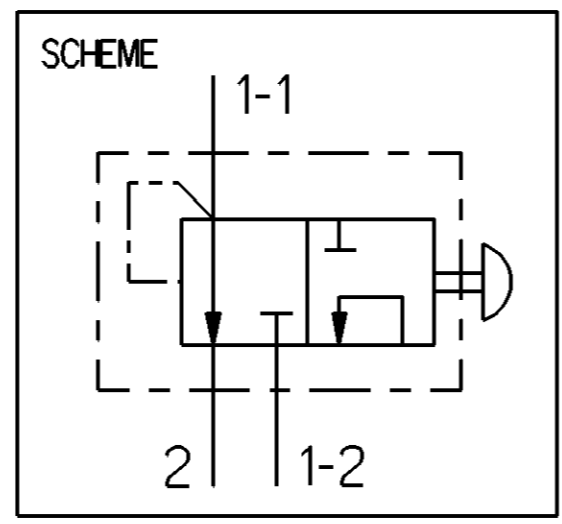
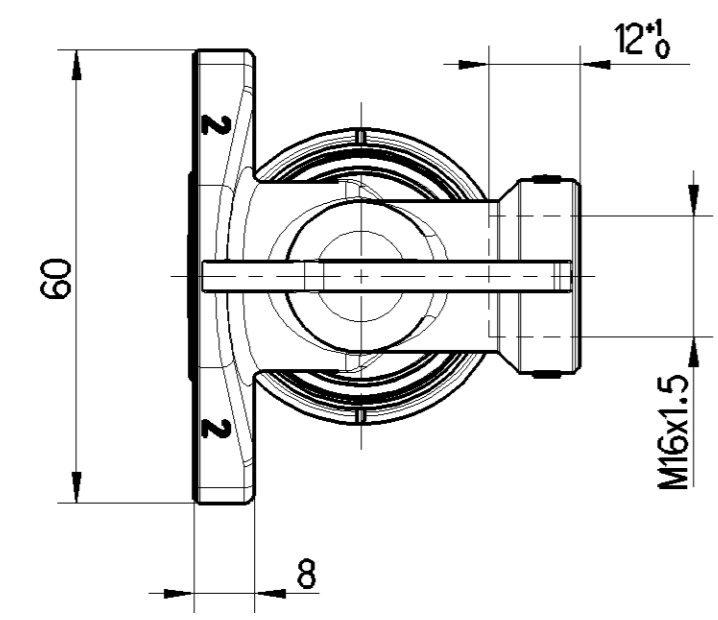
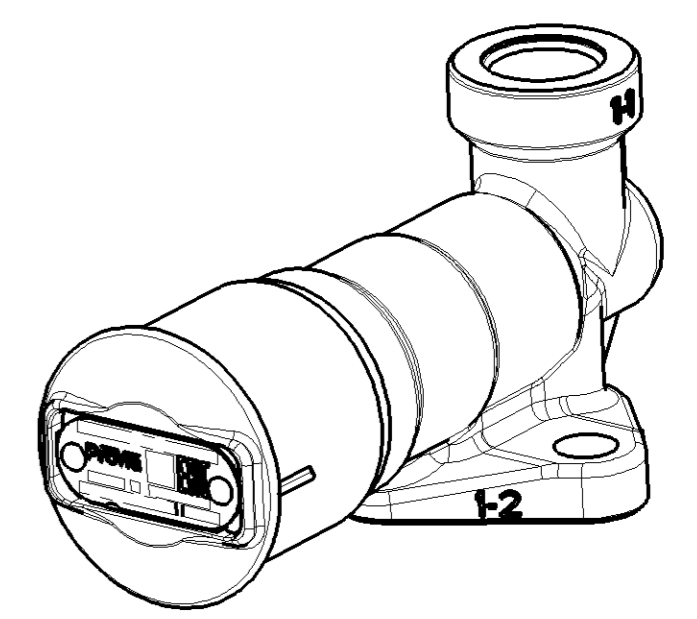
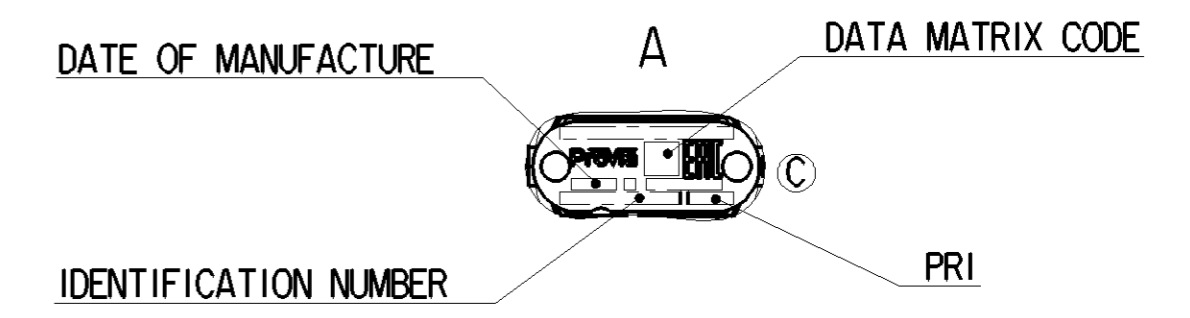


<I>	SAFETY CHARACTERISTICS	0
<II>	SIGNIFICANT CHARACTERISTICS	0
<III>	CUSTOMER INTERFACE	0



MAX. WORKING PRESSURE	8.5 bar	
THERMAL RANGE OF APPLICATION	-40° ... +80°C	
TORQUE FOR CONNECTIONS	34 Nm MAX.	
1-1	SUPPLY	2 SPRING BRAKE CYLINDER
1-2	AIR RESERVOIR	MEDIUM : AIR
WORKING POSITION: UNIMPORTANT EXCEPT EXHAUST AT THE TOP		



	MATERIAL	PROTECTION
I	JED-029M3 (ALUMINUM)	JED-259
II	JED-005M2/3 (POM) COLOR: BLACK	-

General Specification: ISO 8015, JED-334-1, Size ISO 14405 LP		Copyright ZF®		<b>ProVia</b>		
Further Technical Data: PRO5270010		Date	Signature	TRAILER RELEASE VALVE		
Doc. Code: O35	Sheet: 1 To 4	2023-04-19	Murugan			
General Tolerances JED-261		Checked	Kolkowski			
Range of Nominal Dimensions ( ± mm)		Dimensions in mm				
Class 1)	≤ 50	> 50 ≤ 180	> 180 ≤ 400	> 400	∇	
Fine	±0.5	±1	±1.5	±2	±3°	
Medium	±1	±2	±3	±4		
Coarse	±2	±3.5	±5	±6.5		
Tapped Holes acc. JED-152		Mass	Scale	Material No.	Date of first issue: 2017-07-11	
1) Tolerance Class Applied Crossmarked		0.124 kg	1:1	PRO 527 001 0	Doc. Code Language Sheet	
		A 2	CREO	ECN-No. 513198	Revision 3 x C	5320_AM
				Replacement for -		

Non e permesso copiare, o terzi o riprodurre questo documento, ne utilizzare il contenuto o renderlo comunque noto o terzi senza autorizzazione esplicita. Ogni infrazione costituisce un evidente abuso e comportera il risarcimento dei danni subiti. E' fatta riserva di tutti i diritti derivanti da brevetti o modelli.  
 Copying of this document and giving it to others and the use or communication of the contents thereof, are forbidden without express authority. Contention of this restriction will constitute an evident abuse and result in a liability to the payment of damages. All rights are reserved in the event of the grant of patent or registration of a utility model or design. This document is the subject of copyright.  
 Toute communication ou reproduction de ce document, toute exploitation ou communication de son contenu sont interdites, sauf autorisation expresse. Tout manquement a cette regle constitue un abus evident et expose son auteur au versement de dommages et interets. Tous droits de propriete industrielle reserves, notamment en matiere de brevets et de modesles.  
 Weitergabe sowie Vervielfaltigung dieser Unterlagen, Verwertung und Mitteilung ihres Inhalts nicht gestattet, soweit nicht ausdrücklich ansonsten, zu wiederholenden, zu wiederholenden, stellen eines offensichtlichen Missbrauch dar und verpflichten zu Schadensersatz. Alle Rechte fuer den Fall der Patentierung oder Gebrauchsmuster-Eintragung vorbehalten.