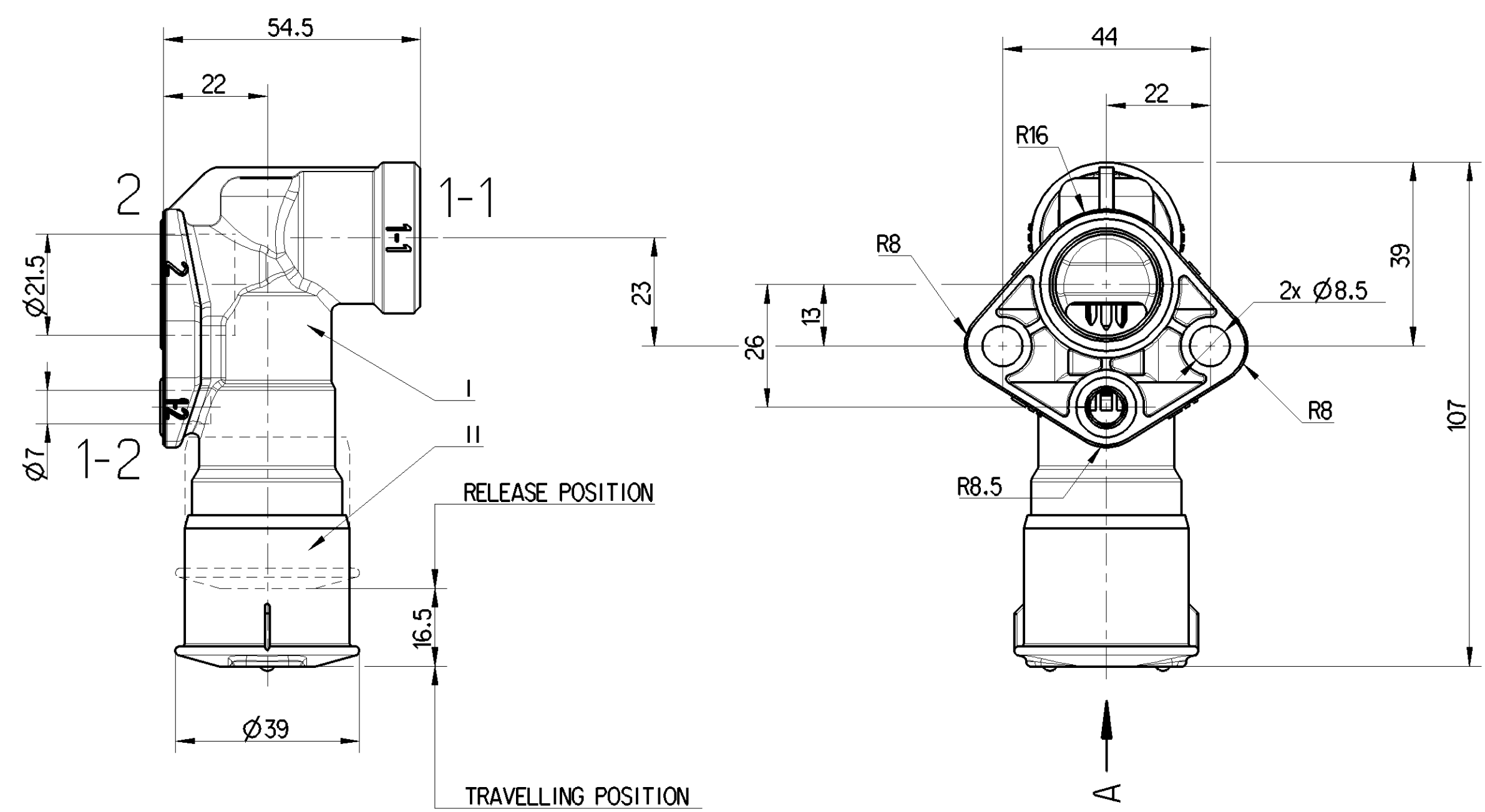
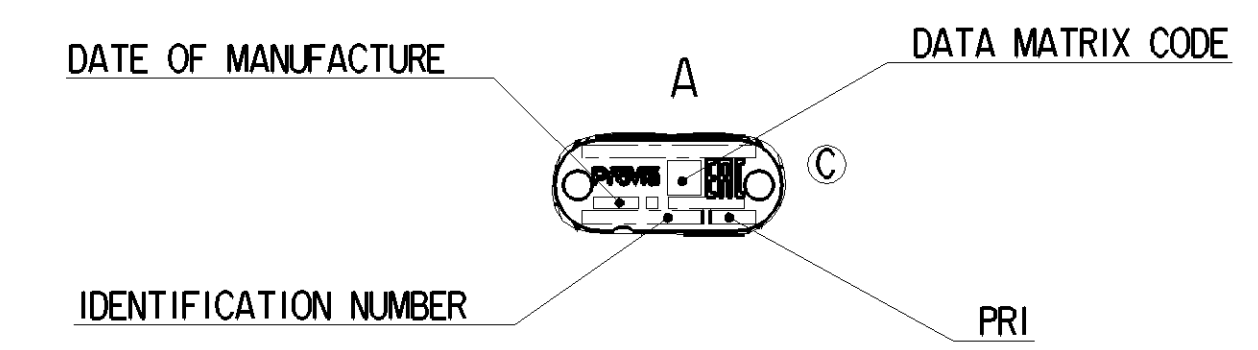


◀1>	SAFETY CHARACTERISTICS	0
◀2>	SIGNIFICANT CHARACTERISTICS	0
◀C1>	CUSTOMER INTERFACE	0



MAX. WORKING PRESSURE	8.5 bar
THERMAL RANGE OF APPLICATION	-40°...+80°C
TORQUE FOR CONNECTIONS	34 Nm MAX.
1-1 SUPPLY	2 SPRING BRAKE CYLINDER
1-2 AIR RESERVOIR	MEDIUM : AIR
WORKING POSITION: UNIMPORTANT EXCEPT EXHAUST AT THE TOP	



Non e permesso copiare, o terzi o riprodurre questo documento, ne utilizzare il contenuto o renderlo comunque noto a terzi senza autorizzazione esplicita. Ogni infrazione costituisce un evidente abuso e comportera il risarcimento dei danni subiti. E' fatta riserva di tutti i diritti derivanti da brevetti o modelli.
 Copying of this document and giving it to others and the use or communication of the contents thereof, are forbidden without express authority. Contravention of this restriction will constitute an evident abuse and result in a liability to the payment of damages. All rights are reserved in the event of the grant of patent or registration of a utility model or design. This document is the subject of copyright.
 Toute communication ou reproduction de ce document, toute exploitation ou communication de son contenu sont interdites, sauf autorisation expresse. Tout manquement a cette regle constitue un abus evident et expose son auteur au versement de dommages et interets. Tous droits de propriete industrielle reserves, notamment en matiere de brevets et de modes.
 Weitergabe sowie Vervielfältigung dieses Urteiles, Verwertung und Mitteilung desselben ist nicht gestattet, soweit nicht ausdrücklich ansonsten, zu wiederholenden, stellen einer offensichtlichen Missbrauch dar und verpflichten zu Schadenersatz. Alle Rechte fur den Fall der Patentierung oder Gebrauchsmuster-Eintragung vorbehalten.

	MATERIAL	PROTECTION
I	JED-029M3 (ALUMINUM)	JED-259
II	JED-005M2/3 (POM) COLOR: BLACK	-

General Specification: ISO 8015, JED-334-1, Size ISO 14405 LP		Copyright ZF®			
Further Technical Data: PRO5270020		Date	Signature		
Doc. Code: 035	Sheet: 1 To 2	2023-04-24	Murugan	TRAILER RELEASE VALVE	
General Tolerances JED-261		Checked			
Range of Nominal Dimensions (± mm)		2023-04-24	Kolkowski		
Class 1)	≤ 50 > 50 ≤ 180 > 180 ≤ 400 > 400	Dimensions in mm			
Fine	±0.5 ±1 ±1.5 ±2	Mass	Scale	Material No.	Date of first issue: 2017-07-11
Medium	±1 ±2 ±3 ±4	0.132 Kg	1:1	PRO 527 002 0	Doc.Code Language Sheet
Coarse	±2 ±3.5 ±5 ±6.5	Size	CAD System	005 EN 1/1	
Tapped Holes acc. JED-152		A 2	CREO	ECN-No.	Revision
1) Tolerance Class Applied Crossmarked				513198	3 x C
				Techn. Resp.	Replacement for
				5320_AM	-

