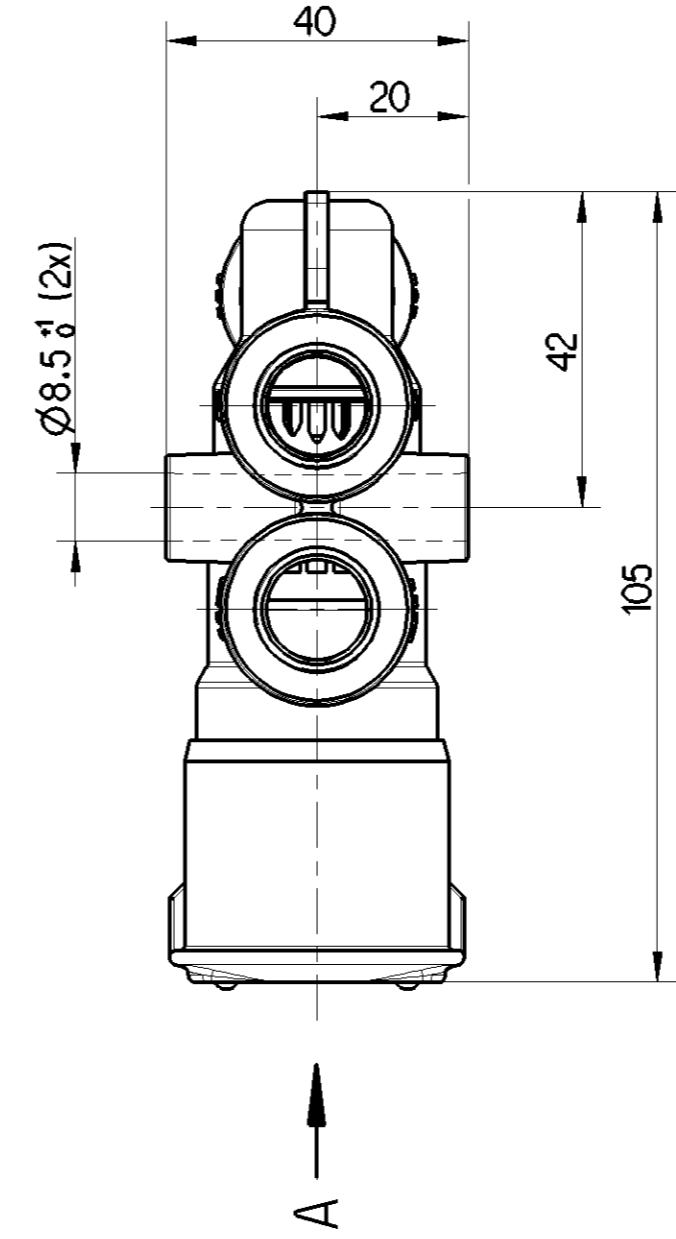
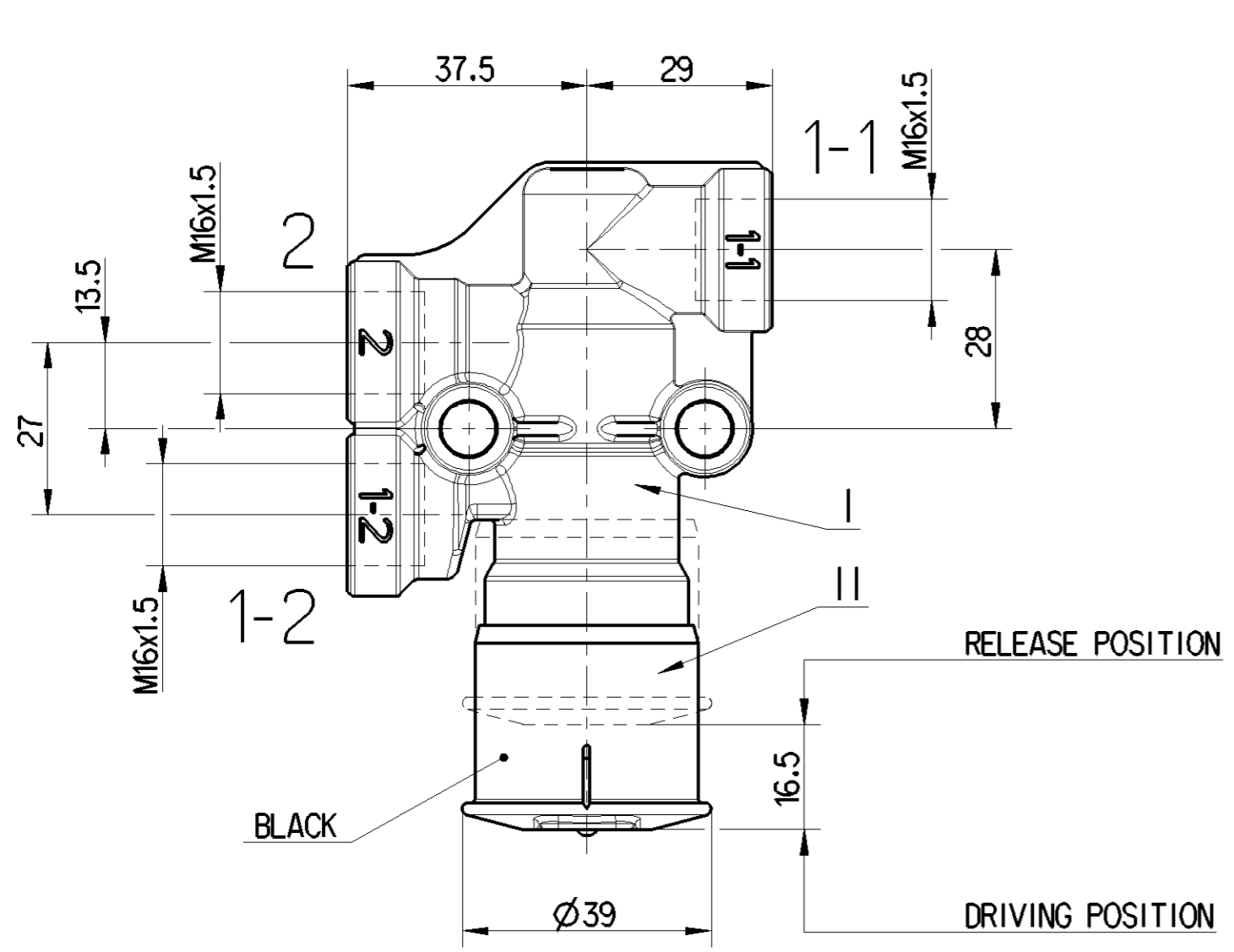


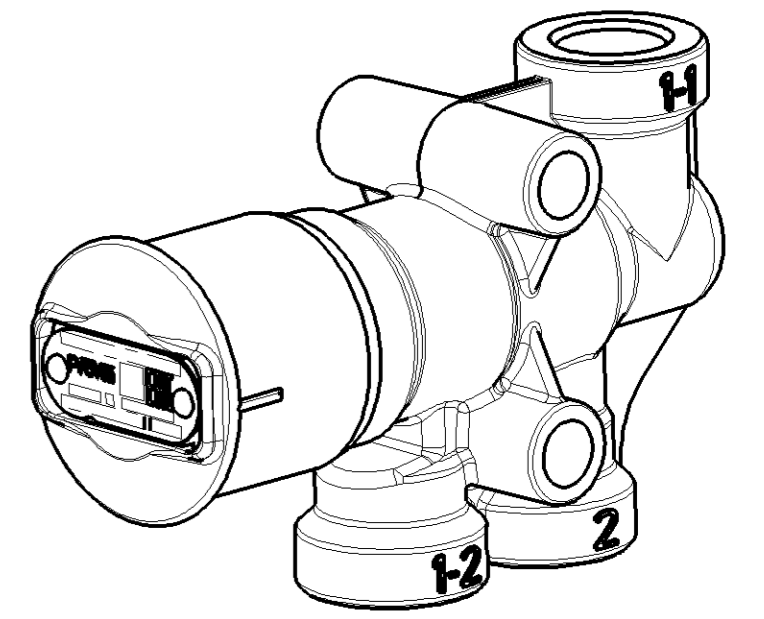
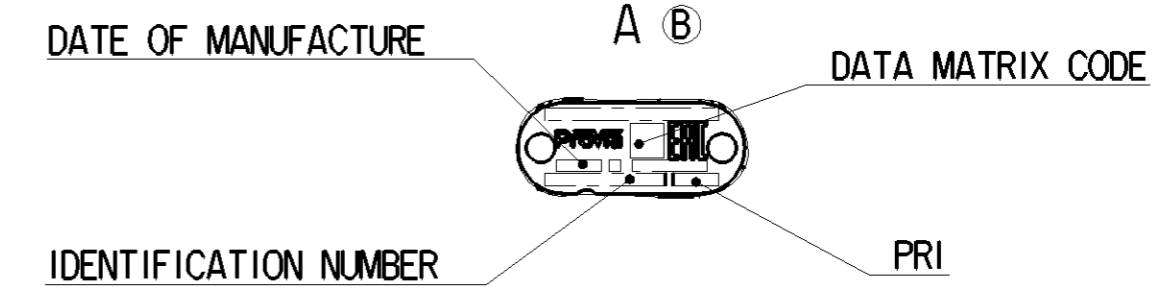
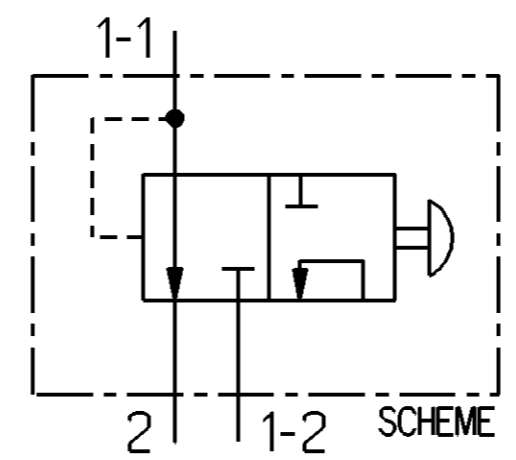
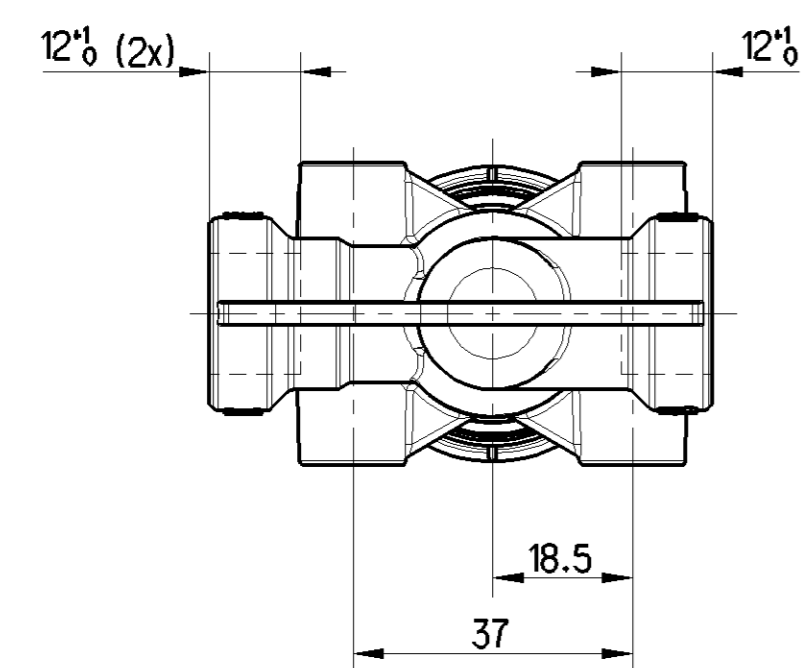
◀	SAFETY CHARACTERISTICS	0	
↔	SIGNIFICANT CHARACTERISTICS	0	
ⓑ	◀	CUSTOMER INTERFACE	0



MAXIMUM WORKING PRESSURE	P1 = 8,5 bar
THERMAL RANGE OF APPLICATION	-40°C ... +80°C
MINIMUM NOMINAL DIAMETER	(1-1)--->(2) Ø8 (1-2)--->(2) Ø6
MEDIUM	AIR
TORQUE FOR CONNECTIONS	34 Nm MAX.

WORKING POSITION:

1-1	SUPPLY
1-2	AIR RESERVOIR
2	RELAY EMERGENCY VALVE



Non e permesso copiare, o terzi o riproduzione di questo documento, ne utilizzare il contenuto o renderlo comunque noto o terzi senza autorizzazione esplicita. Ogni infrazione costituisce un evidente abuso e comporterà il risarcimento dei danni subiti. E' fatta riserva di tutti i diritti derivanti da brevetti o modelli.

Toute communication ou reproduction de ce document, toute exploitation ou communication de son contenu sont interdites, sauf autorisation expresse. Tout manquement a cette regle constitue un abus evident et expose son auteur au versement de dommages et interets. Tous droits de propriete industrielle reserves, notamment en matiere de brevets et de modesles.

Copying of this document and giving it to others and the use or communication of the contents thereof, are forbidden without express authority. Contention of this restriction will constitute an evident abuse and result in a liability to the payment of damages. All rights are reserved in the event of the grant of patent or registration of a utility model or design. This document is the subject of copyright.

Weitergabe sowie Vervielfältigung dieses Urteiles, Verwertung und Mitteilung desselben ist nicht gestattet, soweit nicht ausdrücklich ansonsten, zu wiederholenden, stellen einen offensichtlichen Missbrauch dar und verpflichten zu Schadensersatz. Alle Rechte für den Fall der Patenterteilung oder Gebrauchsmuster-Eintragung vorbehalten.

	MATERIAL	PROTECTION
I	JED-029M3 (ALUMINUM)	JED-259
II	JED-005M2/3 (POM) COLOR: BLACK	-

General Specification: ISO 8015, JED-334-1, Size ISO 14405 LP		Copyright ZF®		<b>ProVia</b>	
Further Technical Data: PRO5270040		Date _____ Signature _____			
Doc. Code: O35 Sheet: 1 TO 4		2023-04-19 Drawn <b>Murugan</b>		<b>TRAILER RELEASE VALVE</b>	
General Tolerances JED-261		2023-04-24 Checked <b>Kolkowski</b>			
Range of Nominal Dimensions ( ± mm)		Dimensions in mm		Material No.	
Class 1)	≤ 50 > 50 ≤ 180 > 180 ≤ 400 > 400	Mass	Scale	Date of first issue: <b>2017-09-11</b>	
Fine	±0.5 ±1 ±1.5 ±2	<b>0.150</b>	<b>1:1</b>	Doc. Code Language Sheet	
Medium	±1 ±2 ±3 ±4	Kg		<b>005 EN 1/1</b>	
Coarse	±2 ±3.5 ±5 ±6.5	Size	CAD System	Replacement for	
Tapped Holes acc. JED-152		<b>A 2</b>	<b>CREO</b>	ECN-No.	Revision
1) Tolerance Class Applied Crossmarked		<b>513198</b>	<b>3 x B</b>	<b>5320_AM</b>	