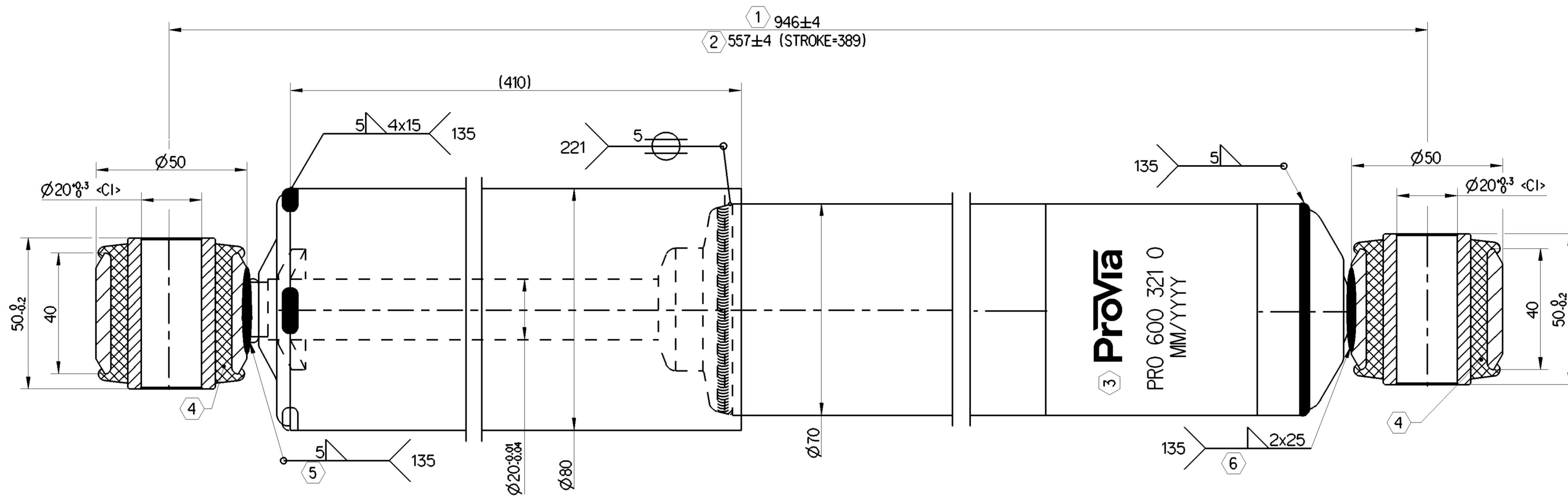


<l> SAFETY CHARACTERISTICS	0
<l> SIGNIFICANT CHARACTERISTICS	0
<l> CUSTOMER INTERFACE	2



1	MAX.REBOUND LENGTH
2	MIN.COMPRESSION LENGTH
3	MARKING DETAILS PROVIA LOGO PROVIA PART NUMBER DATE OF MANUFACTURING
4	HARDNESS OF RUBBER PARTS 60-70 HS
5	WELD STRENGTH 60KN
6	WELD STRENGTH 55KN
	COLOUR: RAL 9005B SEMI-BLACK

Δ Damping force specification-HYDRAULIC

V (m/s)	0.079	0.157	0.314	0.520
Rebound (N)	3280	6190	10250	14080
Compression (N)	860	1230	1975	2955
S(mm)	60		Reb (N)	

General Specifications: ISO 8015, JED-334-1, Size ISO H405 LP		Copyright WABCO®	
Further Technical Data: PRO 601 066 0		Date	Signature
Doc. Code: O35	Sheet: 1 To 6	2023-03-30	Saravanan
General Tolerances JED-261		2023-04-17	
Range of Nominal Dimensions (± mm)		Manivannan	
Class	1) ≤ 50 > 50 > 180 > 180 > 400 > 400	Dimensions in mm	
Fine	±0.5 ±1 ±1.5 ±2	Mass	Scale
Medium	±1 ±2 ±3 ±4	7.3 kg	1:1
Coarse	±2 ±3.5 ±5 ±6.5	Size	CAD System
Tapped Holes acc. -		PRO 600 321 0	
1) Tolerance Class Applied Crossmarked		EDN-No.	Revision
		513729	tx A
		Tech. Resp. 696LAM	
		Replacement for	

Non è permesso copiare o riprodurre questo documento, né utilizzare il contenuto a fini commerciali senza permesso scritto dalla WABCO. È vietata espressamente la ristampa o l'uso non autorizzato. Toute réimpression ou utilisation non autorisée sans la permission écrite de la WABCO est formellement interdite. Toute utilisation non autorisée sera considérée comme une violation des lois en vigueur. All rights reserved. No part of this document may be reproduced or transmitted in any form or by any means electronic or mechanical, including photocopying and recording, or by any information storage or retrieval system, without prior written permission from WABCO.