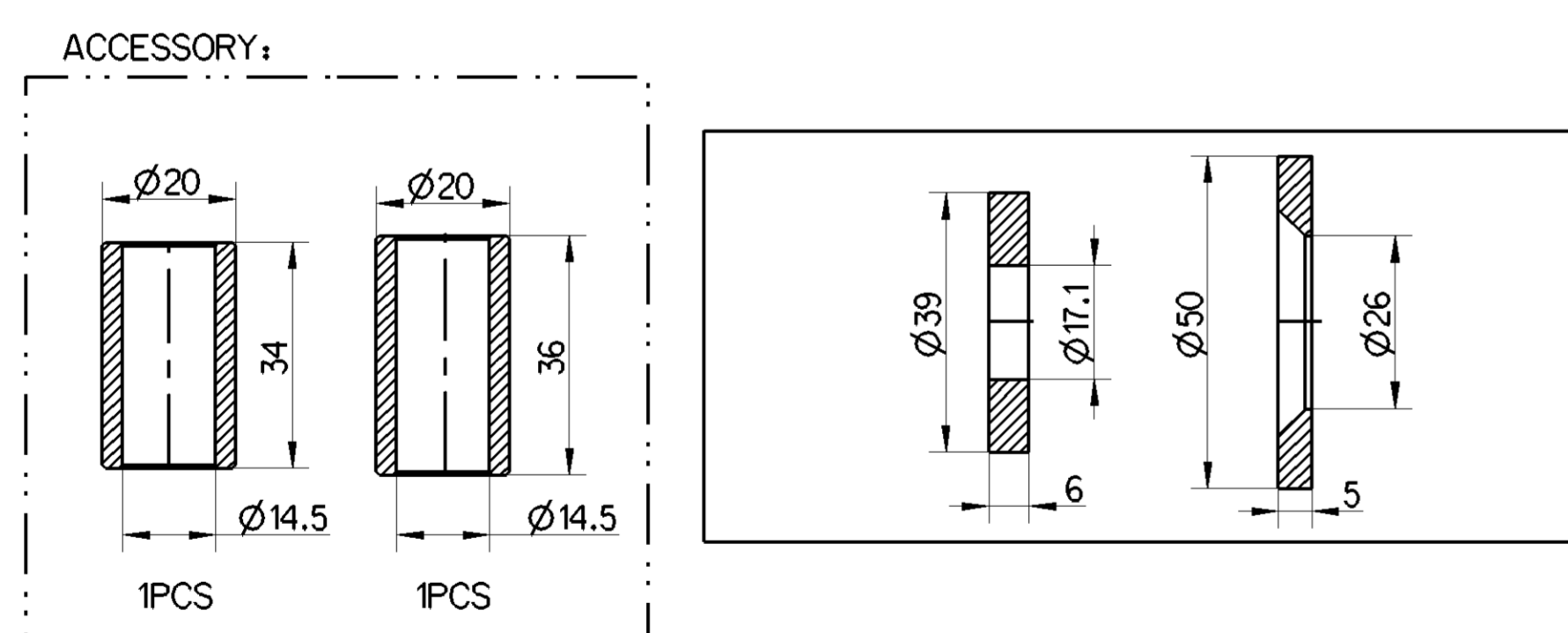
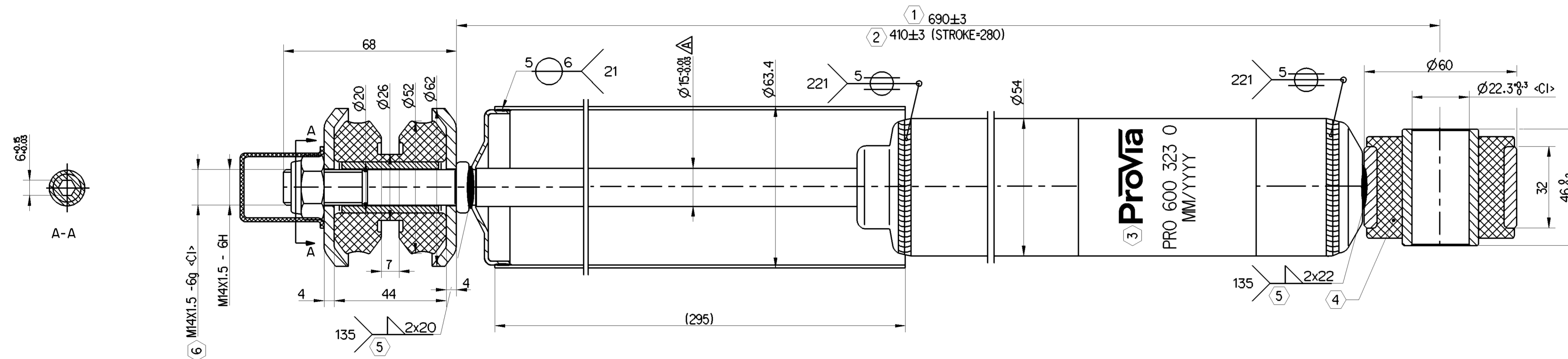


| | |
|---------------------------------|---|
| <P> SAFETY CHARACTERISTICS | 0 |
| <S> SIGNIFICANT CHARACTERISTICS | 0 |
| <CI> CUSTOMER INTERFACE | 2 |



| | |
|---|---|
| 1 | MAX.REBOUND LENGTH |
| 2 | MIN.COMPRESSION LENGTH |
| 3 | MARKING DETAILS PROVIA LOGO PROVIA PART NUMBER DATE OF MANUFACTURING |
| 4 | HARDNESS OF RUBBER PARTS 60-70 HS |
| 5 | WELD STRENGTH 45KN |
| 6 | TORQUE= 50±5 N |
| | COLOUR: RAL 9005B SEMI-BLACK |

△ Damping force specification-HYDRAULIC

| V (m/s) | 0.079 | 0.157 | 0.314 | 0.520 | 0.750 |
|-----------------|-------|-------|---------|-------|-------|
| Rebound (N) | 1455 | 4705 | 6935 | 7995 | 9015 |
| Compression (N) | 615 | 905 | 1235 | 1585 | 1855 |
| S(mm) | 60 | | Reb (N) | | |

General Specifications: ISO 8015, JED-334-1, Size ISO H405 LP

Further Technical Data: PRO 601 066 0

Doc. Code: 035 Sheet: 1 To 6

General Tolerances JED-261

| Class | 1) | ≤ 50 | > 50 ≤ 180 | > 180 ≤ 400 | > 400 |
|--------|----|------|------------|-------------|-------|
| Fine | | ±0.5 | ±1 | ±1.5 | ±2 |
| Medium | X | ±1 | ±2 | ±3 | ±4 |
| Coarse | | ±2 | ±3.5 | ±5 | ±6.5 |

Tapped Holes acc. -

1) Tolerance Class Applied Crossmarked

| | | | |
|------|--------|------------|------|
| Mass | 3.2 kg | Scale | 1:1 |
| Size | A 1 | CAD System | CREO |

Material No. PRO 600 323 0

Date of first issue: 2022-11-09

Doc.Code: 005 Language: EN Sheet: 1/1

Revision: 2x Techn. Resp.: A 696LAM

Replacement for: -

Non è permesso copiare o riprodurre questo documento, né utilizzare il contenuto o riprodurre, comunque in forma o in altro modo, senza permesso scritto dalla WABCO. È vietata espressamente la ristampa o l'uso non autorizzato. Toute réimpression ou reproduction de son contenu sans autorisation écrite de la WABCO est formellement interdite. Toute utilisation non autorisée des données contenues dans ce document est formellement interdite. All rights reserved. No part of this document may be reproduced or transmitted in any form or by any means electronic or mechanical, including photocopying and recording, or by any information storage or retrieval system, without prior written permission from WABCO. All rights reserved.