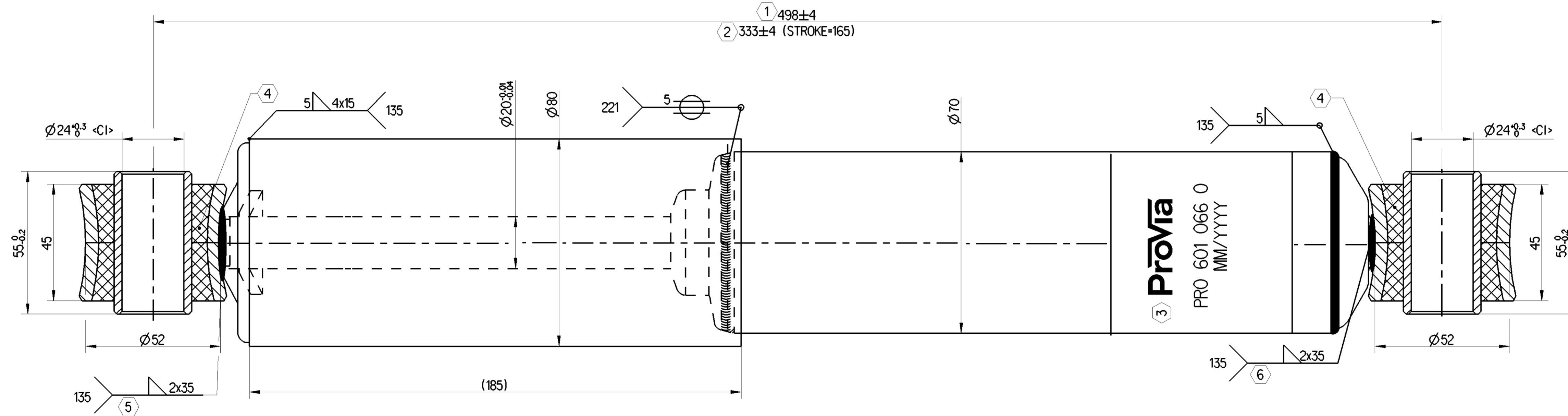


<P> SAFETY CHARACTERISTICS	0
<S> SIGNIFICANT CHARACTERISTICS	0
<CI> CUSTOMER INTERFACE	2



1	MAX.REBOUNDE LENGTH
2	MIN.COMPRESSION LENGTH
3	MARKING DETAILS PROVIA LOGO PROVIA PART NUMBER DATE OF MANUFACTURING
4	HARDNESS OF RUBBER PARTS 65-70 HS
5	WELD STRENGTH 60KN
6	WELD STRENGTH 55KN
	COLOUR: RAL 9005B SEMI-BLACK

⚠ Damping force specification-HYDRAULIC

V (m/s)	0.079	0.157	0.314	0.520	0.750
Rebound (N)	3955	9055	10584	12264	14664
Compression (N)	1501	1974	2487	3231	4117
S(mm)	60		Reb (N)		

General Specifications: ISO 8015, JED-334-1, Size ISO H405 LP		Copyright WABCO®	
Further Technical Data: PRO 601 066 0		Date	Signature
Doc. Code: O35	Sheet: 1 To 6	2023-03-30	Sarvanon
General Tolerances JED-261		2023-04-17	
Range of Nominal Dimensions (± mm)		Mannivan	
Class	1)	Dimensions in mm	
Fine	±0.5	±1	±1.5
Medium	±1	±2	±3
Coarse	±2	±3.5	±5
Tapped Holes acc. -		Mass	Scale
1) Tolerance Class Applied Crossmarked		4.67	1:1
		Size	CAD System
		A 1	CREO
		Material No.	
		PRO 601 066 0	
		Date of first issue:	2022-11-04
		Doc.Code	005
		Language	EN
		Sheet	1/1
		EDN-No.	513729
		Revision	1x
		Techn. Resp.	6961AM
		Replacement for	

Non è permesso copiare o riprodurre questo documento, né utilizzare il contenuto a fini commerciali senza permesso scritto dalla WABCO. È vietata espressamente la ristampa o l'uso non autorizzato. /
 Toute réimpression ou reproduction de ce document, sans autorisation écrite préalable de la WABCO, est formellement interdite. Toute utilisation commerciale du contenu de ce document sans autorisation écrite de la WABCO est formellement interdite. /
 Wollungszweckliche Vervielfältigung dieses Unterlagen, Verwertung und Missbrauch ohne schriftliche Genehmigung der WABCO ist ausdrücklich untersagt. Die Weitergabe dieses Dokumentes an Dritte ist ebenfalls untersagt. /
 All rights reserved. No part of this document may be reproduced or transmitted in any form or by any means electronic or mechanical, including photocopying, recording, or by any information storage and retrieval system, without permission in writing from WABCO. /
 Alle Rechte für den Fall der Reproduktion oder Verbreitung vorbehalten.