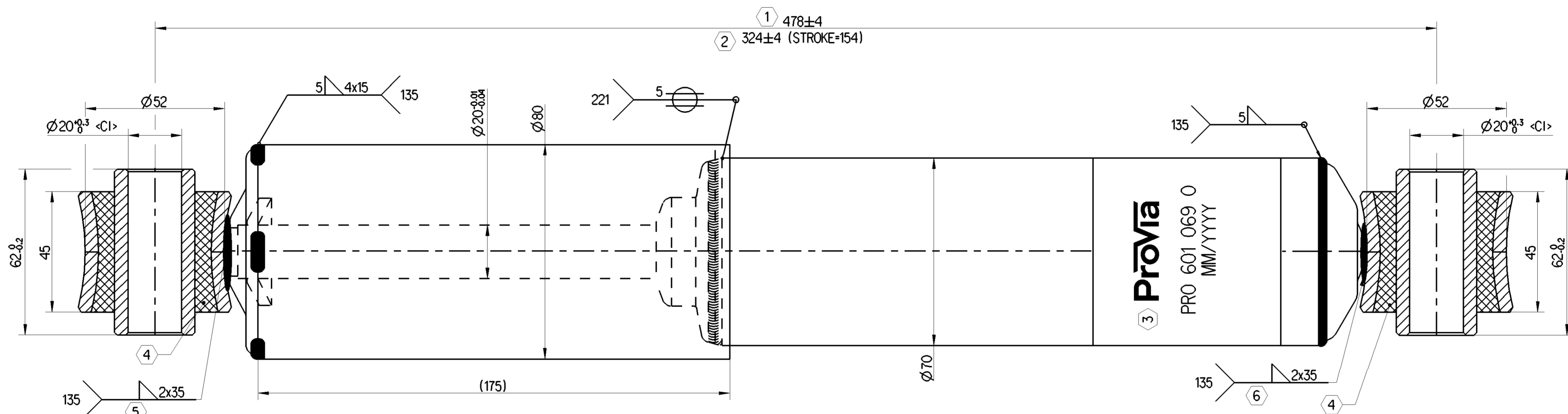


<P> SAFETY CHARACTERISTICS	0
<S> SIGNIFICANT CHARACTERISTICS	0
<CI> CUSTOMER INTERFACE	2



1	MAX.REBOUND LENGTH
2	MIN.COMPRESSION LENGTH
3	MARKING DETAILS PROVIA LOGO PROVIA PART NUMBER DATE OF MANUFACTURING
4	HARDNESS OF RUBBER PARTS 60-70 HS
5	WELD STRENGTH 60kN
6	WELD STRENGTH 55kN
COLOUR: RAL 9005B SEMI-BLACK	

Non è permesso copiare o riprodurre questo documento, né utilizzare il contenuto o i marchi contenuti in esso, senza permesso scritto dalla WABCO. È vietata espressamente la ristampa o l'uso non autorizzato. Toute réimpression ou reproduction de son contenu sans autorisation écrite de la WABCO est formellement interdite. Toute utilisation non autorisée des données contenues dans ce document est formellement interdite. All rights reserved. No part of this document may be reproduced or transmitted in any form or by any means electronic or mechanical, including photocopying and recording, or by any information storage or retrieval system, without prior written permission from WABCO.

**▲ Damping force specification-HYDRAULIC**

V (m/s)	0.079	0.157	0.314	0.520	0.750
Rebound (N)	4050	7600	9500	11795	14615
Compression (N)	2115	3760	5080	6215	7385
S(mm)	60		Reb (N)		

General Specifications: ISO 8015, JED-334-1, Size ISO H4405 LP		Copyright WABCO®	
Further Technical Data: PRO 601 069 0		Date: 2023-03-30	Signature: Saravanan
Doc. Code: O35	Sheet: 1 To 6	2023-04-17	Manivannan
General Tolerances JED-261			
Range of Nominal Dimensions ( ± mm)			
Class	1) ≤ 50	> 50 ≤ 180	> 180 ≤ 400
Fine	±0.5	±1	±1.5
Medium	±1	±2	±3
Coarse	±2	±3.5	±5
Tapped Holes acc. -			
1) Tolerance Class Applied Crossmarked			
Mass	4.21 kg	Scale	1:1
Size	A 1	CAD System	CREO
Material No. PRO 601 069 0		Date of first issue:	2022-11-04
Revision: tx		Doc.Code:	005
Tech. Resp. A		Language:	EN
EOL No. 513729		Replacement for:	1/1