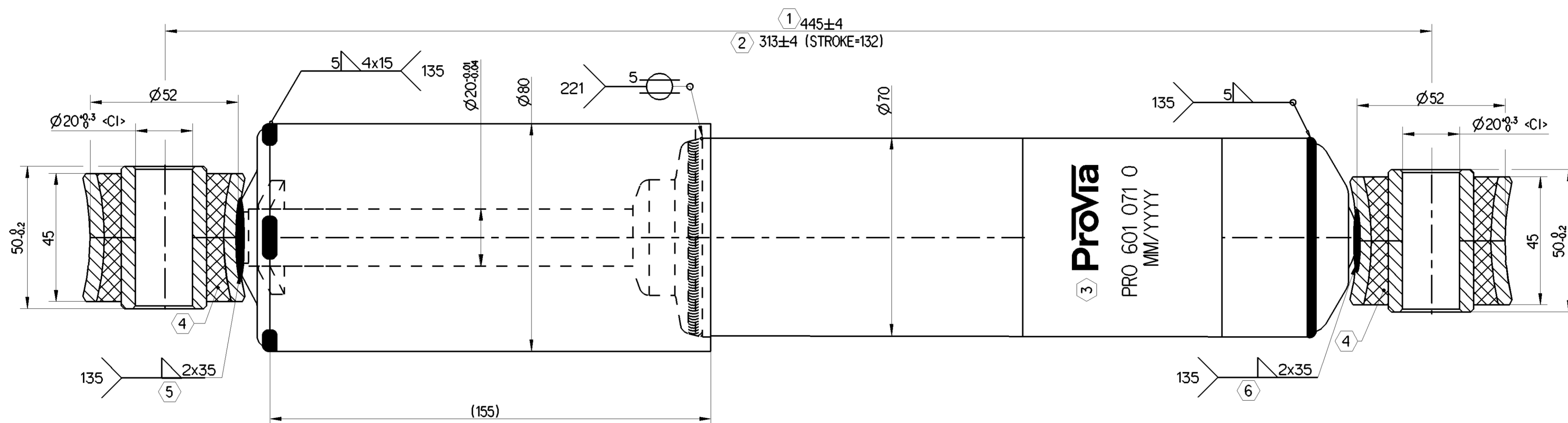


<I> SAFETY CHARACTERISTICS	0
<I> SIGNIFICANT CHARACTERISTICS	0
<I> CUSTOMER INTERFACE	2



1	MAX.REBOUND LENGTH
2	MIN.COMPRESSION LENGTH
3	MARKING DETAILS PROVIA LOGO PROVIA PART NUMBER DATE OF MANUFACTURING
4	HARDNESS OF RUBBER PARTS 60-70 HS
5	WELD STRENGTH 60KN
6	WELD STRENGTH 55KN
	COLOUR: RAL 9005B SEMI-BLACK

△ Damping force specification-HYDRAULIC

V (m/s)	0.079	0.157	0.314	0.520	0.750
Rebound (N)	3751	4908	6277	8046	10110
Compression (N)	2160	2572	3178	3744	4226
S(mm)	60		Reb (N)		

General Specifications: ISO 8015, JED-334-1, Size ISO H405 LP		Copyright WABCO®	
Further Technical Data: PRO 601 066 0		Date	Signature
Doc. Code: O35	Sheet: 1 To 6	2023-03-30	Saravanan
General Tolerances JED-261		2023-04-17	Manivannan
Range of Nominal Dimensions (± mm)		Dimensions in mm	
Class	1) ≤ 50	> 50 > 180	> 180 > 400
Fine	±0.5	±1	±1.5
Medium	±1	±2	±3
Coarse	±2	±3.5	±5
Tapped Holes acc. -		±3°	
Mass	4.4 kg	Scale	1:1
Size	A 1	CAD System	CREO
Material No.		Date of first issue:	2022-11-04
PRO 601 071 0		Doc.Code	005
EDN-No.	513729	Revision	1x
Techn. Resp.	696LAM	Language	EN
Replacement for		Sheet	1/1

Non è permesso copiare o riprodurre questo documento, né utilizzare il contenuto a fini commerciali senza permesso scritto dalla WABCO. È vietata espressamente la ristampa o l'uso non autorizzato. Toute réimpression ou utilisation non autorisée sans la permission écrite de la WABCO est formellement interdite. Toute utilisation non autorisée sera considérée comme acte de contrefaçon et sera poursuivie en justice.