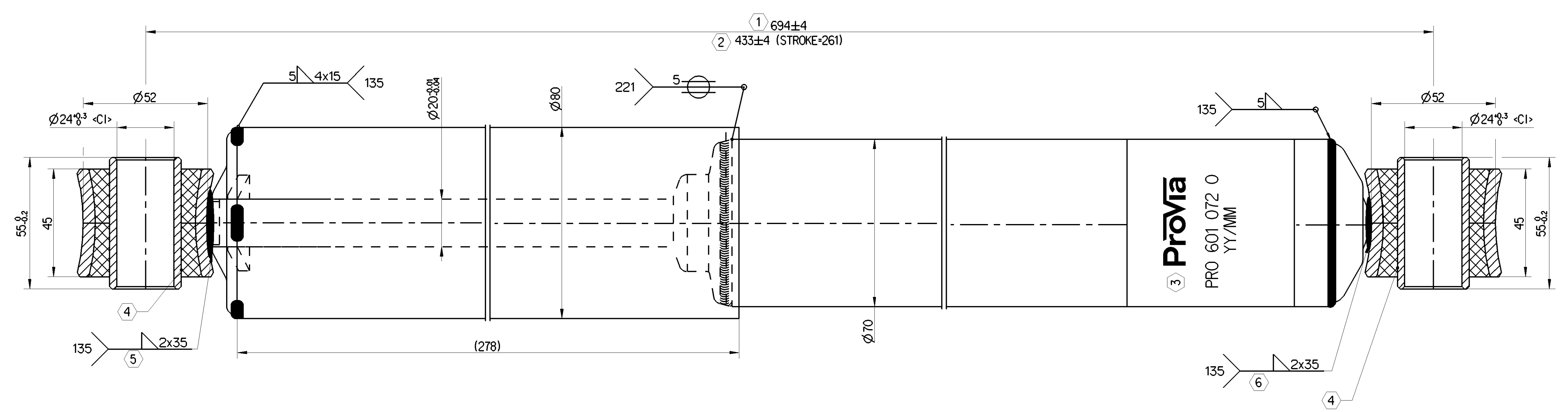


|                                 |   |
|---------------------------------|---|
| <P> SAFETY CHARACTERISTICS      | 0 |
| <S> SIGNIFICANT CHARACTERISTICS | 0 |
| <C> CUSTOMER INTERFACE          | 2 |



|   |   |
|---|---|
| 1 | MAX.REBOUND LENGTH  |
| 2 | MIN.COMPRESSION LENGTH  |
| 3 | MARKING DETAILS<br>PROVIA LOGO<br>PROVIA PART NUMBER<br>DATE OF MANUFACTURING |
| 4 | HARDNESS OF RUBBER<br>PARTS 65-70 HS  |
| 5 | WELD STRENGTH 60KN  |
| 6 | WELD STRENGTH 55KN  |
|   | COLOUR: RAL 9005B SEMI-BLACK  |

Non è permesso copiare o riprodurre questo documento, né utilizzare il contenuto in modo commerciale, senza permesso scritto dalla WABCO. È vietata espressamente la ristampa o l'uso non autorizzato. Toute réimpression ou utilisation non autorisée sans la permission écrite de la WABCO est formellement interdite. Toute utilisation non autorisée sera considérée comme étant illicite.

Toute réimpression ou utilisation non autorisée sans la permission écrite de la WABCO est formellement interdite. Toute utilisation non autorisée sera considérée comme étant illicite.

**Δ Damping force specification-HYDRAULIC**

|                 |       |       |         |       |       |
|-----------------|-------|-------|---------|-------|-------|
| V (m/s)         | 0.079 | 0.157 | 0.314   | 0.520 | 0.750 |
| Rebound (N)     | 5815  | 10335 | 11865   | 13585 | 16205 |
| Compression (N) | 1290  | 1755  | 2135    | 2770  | 3480  |
| S(mm)           | 60    |       | Reb (N) |       |       |

|   |               |                                 |                 |
|---|---------------|---------------------------------|-----------------|
| General Specifications: ISO 8015, JED-334-1, Size ISO H405 LP |               | Copyright WABCO®                |                 |
| Further Technical Data: PRO 601 066 0                         |               | Date                            | Signature       |
| Doc. Code: O35  | Sheet: 1 To 6 | 2023-03-30                      | Saravanan       |
| General Tolerances JED-261                                    |               | 2023-04-17                      |                 |
| Range of Nominal Dimensions ( ± mm)                           |               | Manivannan                      |                 |
| Class   | 1) ≤ 50       | 2) > 50 ≤ 180                   | 3) > 180 ≤ 400  |
| Fine  | ±0.5          | ±1                              | ±1.5            |
| Medium  | ±1            | ±2                              | ±3              |
| Coarse  | ±2            | ±3.5                            | ±5              |
| Tapped Holes acc. -   |               | ±3°                             |                 |
| 1) Tolerance Class Applied Crossmarked                        |               |                                 |                 |
| Mass  | 5.9 kg        | Scale                           | 1:1             |
| Size  | A 1           | CAD System                      | CREO            |
| Material No.  |               | Date of first issue: 2022-11-04 |                 |
| PRO 601 072 0   |               | Doc.Code Language Sheet         |                 |
| 005 EN 1/1  |               |                                 |                 |
| EDM-No.   | 513729        | Revision                        | Techn. Resp.    |
| tx  | A             | 696LAM                          | Replacement for |

100mm