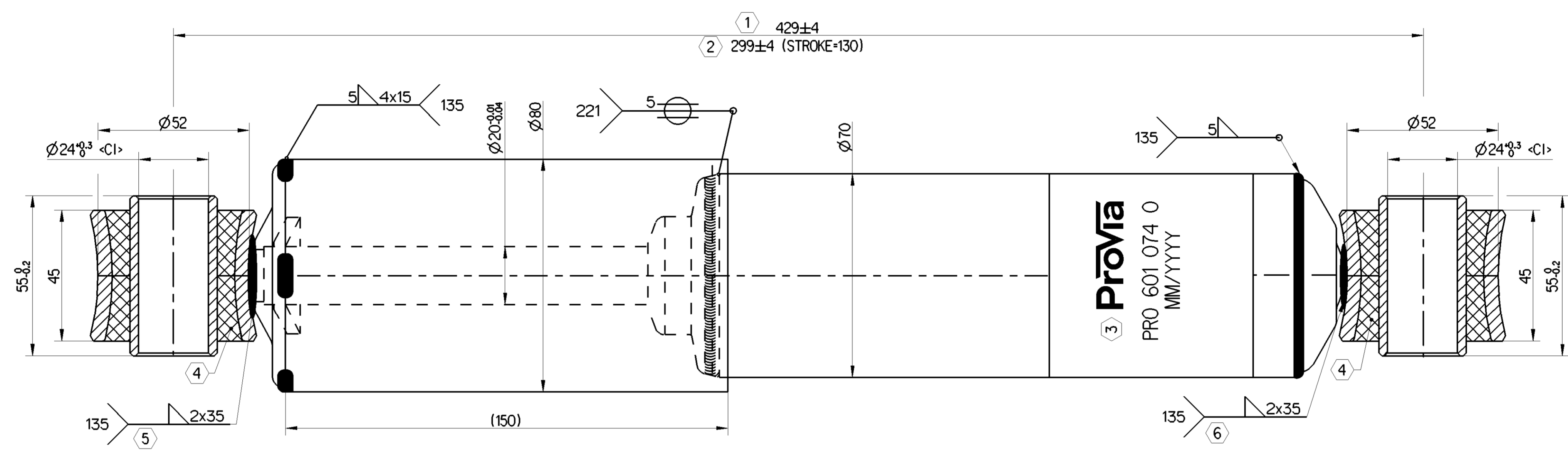


<P> SAFETY CHARACTERISTICS	0
<S> SIGNIFICANT CHARACTERISTICS	0
<CI> CUSTOMER INTERFACE	2



1	MAX.REBOUND LENGTH
2	MIN.COMPRESSION LENGTH
3	MARKING DETAILS PROVIA LOGO PROVIA PART NUMBER DATE OF MANUFACTURING
4	HARDNESS OF RUBBER PARTS 65-70 HS
5	WELD STRENGTH 60KN
6	WELD STRENGTH 55KN
COLOUR: RAL 9005B SEMI-BLACK	

Non è permesso copiare o riprodurre questo documento, né utilizzare il contenuto a meno che non sia permesso dalla legge. È vietata espressamente la ristampa o l'uso non autorizzato. Tutti i diritti sono riservati. © 2023 WABCO. Copring of this document and giving it to others and the use or communication of the contents thereof, are forbidden without express, written permission from WABCO. All rights reserved. This document is the subject of copyright.

Toute réimpression ou reproduction de ce document, sans autorisation écrite préalable, est formellement interdite. Toute utilisation non autorisée du contenu de ce document est formellement interdite. Tous droits réservés. © 2023 WABCO. Weitergabe sowie Vervielfältigung dieses Dokuments, Verwertung und Mitteilung seines Inhalts sind ohne schriftliche Genehmigung von WABCO. Alle Rechte für den Fall der Patentierung oder Gebrauchsmusteranmeldung vorbehalten.

Δ Damping force specification-HYDRAULIC

V (m/s)	0.079	0.157	0.314	0.520
Rebound (N)	4205	8865	10310	12205
Compression (N)	1775	3170	3970	4960
S(mm)	60		Reb (N)	

General Specifications: ISO 8015, JED-334-1, Size ISO H405 LP		Copyright WABCO®	
Further Technical Data: PRO 601 066 0		Date	Signature
Doc. Code: O35	Sheet: 1 To 6	2023-03-30	Saravanan
General Tolerances JED-261		Checked	Manivannan
Range of Nominal Dimensions (± mm)		Dimensions in mm	
Class	1) ≤ 50	> 50 < 180	> 180 < 400
Fine	±0.5	±1	±1.5
Medium	±1	±2	±3
Coarse	±2	±3.5	±5
Tapped Holes acc. -		Mass	Scale
1) Tolerance Class Applied Crossmarked		4.2 kg	1:1
		Size	CAD System
		A 1	CREO
		Material No.	
		PRO 601 074 0	
		Date of first issue:	2022-11-04
		Doc.Code	Language
		005	EN
		Revision	Techn. Resp.
		513729	6961AM
		Replacement for	