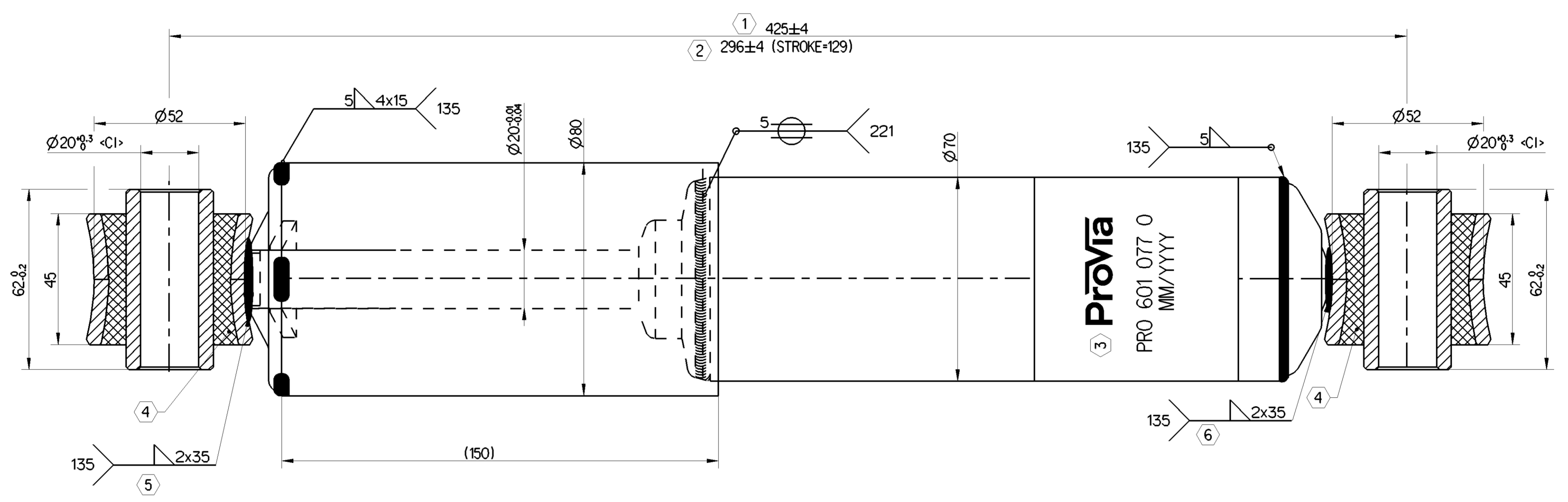


<l> SAFETY CHARACTERISTICS	0
<l> SIGNIFICANT CHARACTERISTICS	0
<l> CUSTOMER INTERFACE	2



1	MAX.REBOUND LENGTH
2	MIN.COMPRESSION LENGTH
3	MARKING DETAILS PROVIA LOGO PROVIA PART NUMBER DATE OF MANUFACTURING
4	HARDNESS OF RUBBER PARTS 60-70 HS
5	WELD STRENGTH 60KN
6	WELD STRENGTH 55KN
COLOUR: RAL 9005B SEMI-BLACK	

**Δ Damping force specification-HYDRAULIC**

V (m/s)	0.079	0.157	0.314
Rebound (N)	3940	12665	17760
Compression (N)	1330	2630	3260
S(mm)	60		Reb (N)

General Specifications: ISO 8015, JED-334-1, Size ISO H405 LP		Copyright WABCO®	
Further Technical Data: PRO 601 077 0		Date	Signature
Doc. Code: O35	Sheet: 1 To 8	2023-03-30	Saravanan
General Tolerances JED-261		2023-04-17	
Range of Nominal Dimensions ( ± mm)		Manivannan	
Class	1) ≤ 50	> 50 &lt; 180	> 180 &lt; 400
Fine	±0.5	±1	±1.5
Medium	±1	±2	±3
Coarse	±2	±3.5	±5
Tapped Holes acc. -		±3°	
1) Tolerance Class Applied Crossmarked		Dimensions in mm	
Mass	4.3 kg	Scale	1:1
Size	A 1	CAD System	CREO
Material No.		Date of first issue	2022-11-04
PRO 601 077 0		Doc.Code	005
EDN-No.	513729	Revision	1x
Techn. Resp.	696LAM	Language	EN
Replacement for		Sheet	1/1

Non è permesso copiare o riprodurre questo documento, né utilizzare il contenuto a fini di lucro o per la realizzazione di prodotti, senza il permesso scritto della WABCO. È vietata espressamente la ristampa o l'uso non autorizzato. /  
 Toute réimpression ou reproduction de ce document, sans autorisation écrite de la WABCO, est formellement interdite. Toute utilisation non autorisée de ce document est formellement interdite. /  
 Wollungen sowie Vervielfältigung dieses Urteils, Verwertung und Mitteilung desselben, sind ohne schriftliche Genehmigung der WABCO ausdrücklich untersagt. /  
 All rights reserved. No part of this publication may be reproduced, stored in a retrieval system, or transmitted in any form or by any means, without the prior written permission of WABCO. /  
 Alle Rechte für den Fall der Reproduktion oder elektronischer Speicherung vorbehalten.