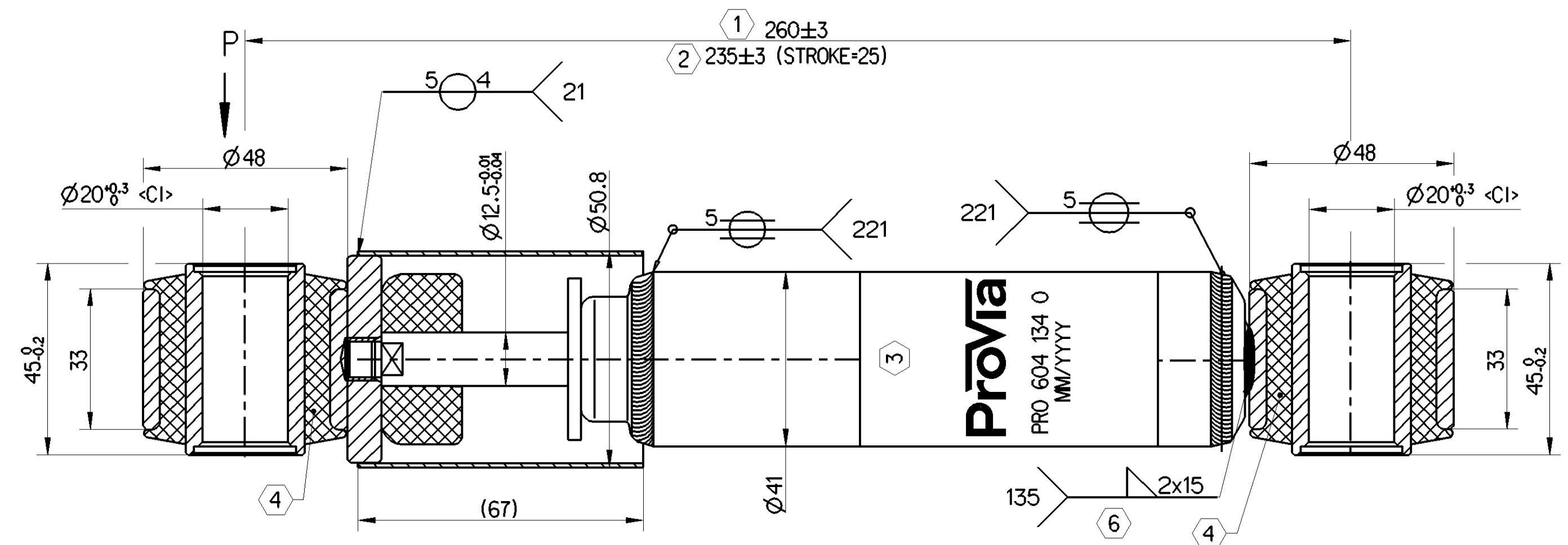
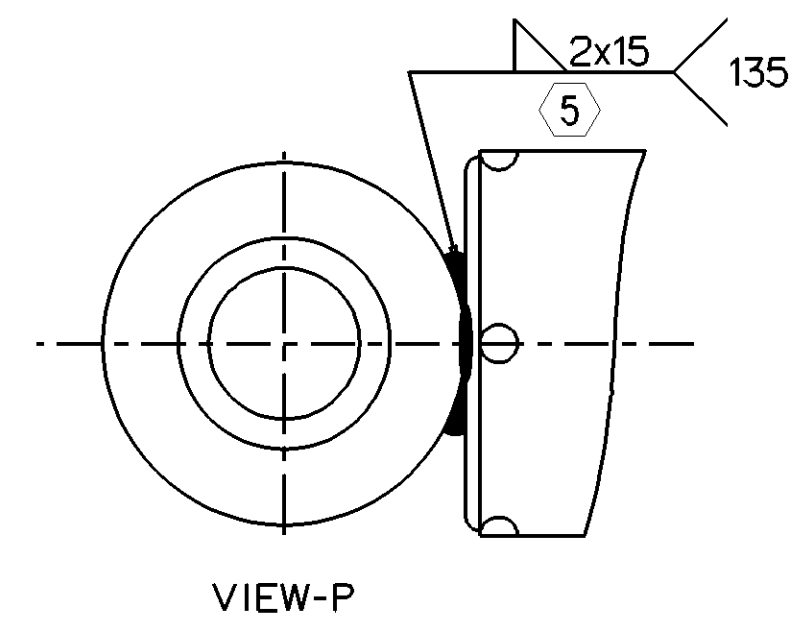


<A> SAFETY CHARACTERISTICS	0
 SIGNIFICANT CHARACTERISTICS	0
<C> CUSTOMER INTERFACE	2



1	MAX.REBOUND LENGTH
2	MIN.COMPRESSION LENGTH
3	MARKING DETAILS PROVIA LOGO PROVIA PART NUMBER DATE OF MANUFACTURING
4	HARDNESS OF RUBBER PARTS 60-70 HS
5	WELD STRENGTH 25 KN
6	WELD STRENGTH 35 KN
	COLOUR: RAL 9005B SEMI-BLACK



▲ Damping force specification-HYDRAULIC

V (m/s)	0.079	0.157	0.314
Rebound (N)	615	1430	1980
Compression (N)	540	700	895
S(mm)	60		Reb (N)

General Specification: ISO 8015, JED-334-1, Size ISO 14405 LP		Copyright WABCO®		ProVia	
Further Technical Data: PRO 601 066 0		Date	Signature		
Doc. Code: 035	Sheet: 1 To 6	2023-04-17	Saravanan	SHOCK ABSORBER	
General Tolerances JED-261		Checked			
Range of Nominal Dimensions (± mm)		2023-04-17	Manivannan		
Class 1)	≤ 50	> 50 ≤ 180	> 180 ≤ 400	> 400	±3°
Fine	±0.5	±1	±1.5	±2	±3°
Medium	±1	±2	±3	±4	
Coarse	±2	±3.5	±5	±6.5	
Tapped Holes acc. -		Dimensions in mm			
1) Tolerance Class Applied Crossmarked		Mass	Scale	Material No.	Date of first issue: 2022-11-09
		1.5 kg	1:1	PRO 604 134 0	Doc.Code Language Sheet
		A 2	CREO	005 EN 1/1	
		ECN-No.	Revision	Techn. Resp.	Replacement for
		513729	1x A	6961LAM	-

Non e permesso copiare, o terzi o riprodurre questo documento, ne utilizzare il contenuto o renderlo comunque noto o terzi senza autorizzazione esplicita. Ogni infrazione costituisce un evidente abuso e comporterà il risarcimento dei danni subiti. E' fatta riserva di tutti i diritti derivanti da brevetti o modelli.

Copying of this document and giving it to others and the use or communication of the contents thereof, are forbidden without express authority. Contravention of this restriction will constitute an evident abuse and result in a liability to the payment of damages. All rights are reserved in the event of the grant of patent or registration of a utility model or design. This document is the subject of copyright.

Toutte communication ou reproduction de ce document, toute exploitation ou communication de son contenu sont interdites, sauf autorisation expresse. Tout manquement a cette regle constitue un abus evident et expose son auteur au versament de dommages et interets. Tous droits de proprieete industrielle reserves, notamment en matiere de brevets et de modesles.

Wiedergabe sowie Vervielfältigung dieser Unterlagen, Verwertung und Mitteilung ihres Inhalts nicht gestattet, soweit nicht ausdrücklich angedeutet. Zuwiderhandlungen stellen einen offensichtlichen Missbrauch dar und verpflichten zu Schadensersatz. Alle Rechte für den Fall der Patenterteilung oder Gebrauchsmuster-Eintragung vorbehalten.